

Raised Watertight Hatches



4-Dog Oval + Ullage & Hasp

UMC-464-5 / 144

Raised watertight hatches are strong and secure enclosures designed to be easily accessed when needed. They are universally used on all types of commercial vessels from tank barges, hopper barges, box barges and push-boats to OSVs and larger commercial vessels. Their simple design and quality steel construction help them meet long range trouble-free service requirements in the harshest environments.

Features

- Tumble Bolt - Bronze
- Dog Handle - Steel with Zerk
- Bolt 5/8-11 - Zinc Plated Steel
- Nut 5/8-11 - Stainless Steel
- Gasket - Nitrile Rubber
- All of our raised watertight hatches meet ABS (American Bureau of Shipping) requirements for design and materials.

Raised watertight hatches are typically found along the gunnels of a barge as well as on the bow/ stern and on top of cargo compartments or tanks. They are used to access wing tanks, the rake compartment, cargo compartments etc. for venting, filling, and inspecting. Raised watertight hatches that feature a ullage hatch are also commonly used on tank barges where the ullage is used as a vent or an inspection port to measure or verify cargo.

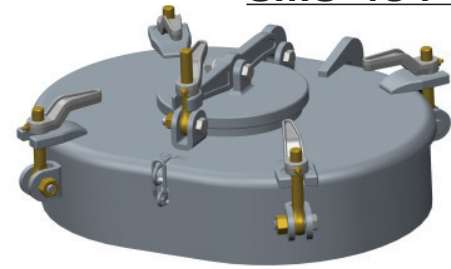
Steel (ASTM A36)
Painted Primer Grey

Custom coaming heights available upon request.
Other gasket material available upon request.

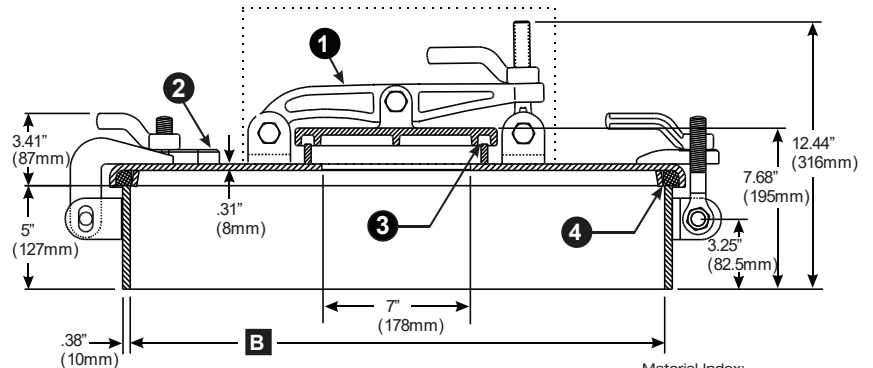
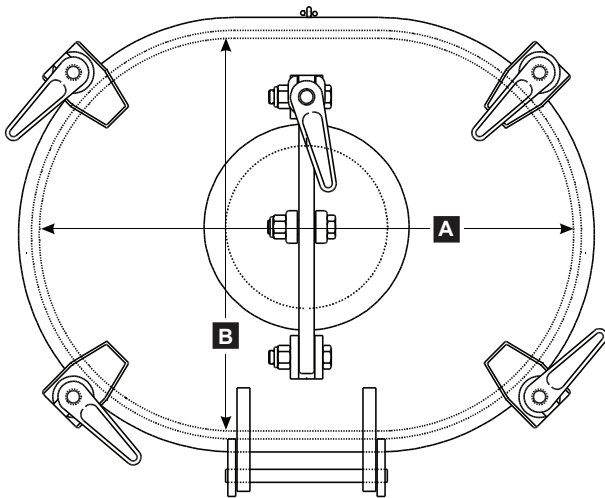
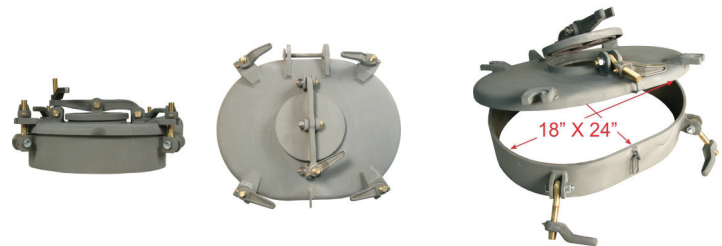
Various hardware options available:

- Steel, Stainless Steel, & Bronze Dog Handles (available with or without grease fittings).
- Bronze & Stainless Steel Tumble Bolts.
- Lug Bolts and nuts made from dissimilar metals to prevent galling and corrosion.

Flame screens available upon request (sold separately).



Model Number	Description	Part Number	Clear Opening In. (mm)	Weight Total Lbs (Kgs.)
UMC-464-5 / 144	Raised 4 Dog 18x24 Watertight Hatch + 8" Ullage & Hasp	03800-130J	18" x 24" (457 x 609) Ullage: 7" (178)	128 (58)
UMC-464-5-SS / 144-SS	Raised 4 Dog 18x24 Watertight Hatch + 8" Ullage & Hasp (Stainless Steel)	03800-105S	18" x 24" (457 x 609) Ullage: 7" (178)	128 (58)



Material Index:
(ST) Steel
(SS) Stainless Steel
(BR) Bronze / Brass
(NR) Nitrile Rubber
(ZP) Zinc Plated Steel

Model Number	Part Number	A in. (mm)	B in. (mm)	1-Ullage	2-Hatch	3-Ullage Gasket	4-Hatch Gasket	Flame Screen
UMC-464-5 / 144	03800-130J	18.31" (465)	24.31" (617)	01242-102K (ST) See UMC-144 for parts and Dimensions	03800-102K (ST) See UMC-464-5 for parts and Dimensions	01242-701A (NR)	03800-701A (NR)	
UMC-464-5-SS / 144-SS	03800-105S	18.31" (465)	24.31" (617)	01242-102S (SS) See UMC-144-SS for parts and Dimensions	03800-101S (SS) See UMC-464-5-SS for parts and Dimensions	01242-701A (NR)	03800-701A (NR)	