

8

7

6

5

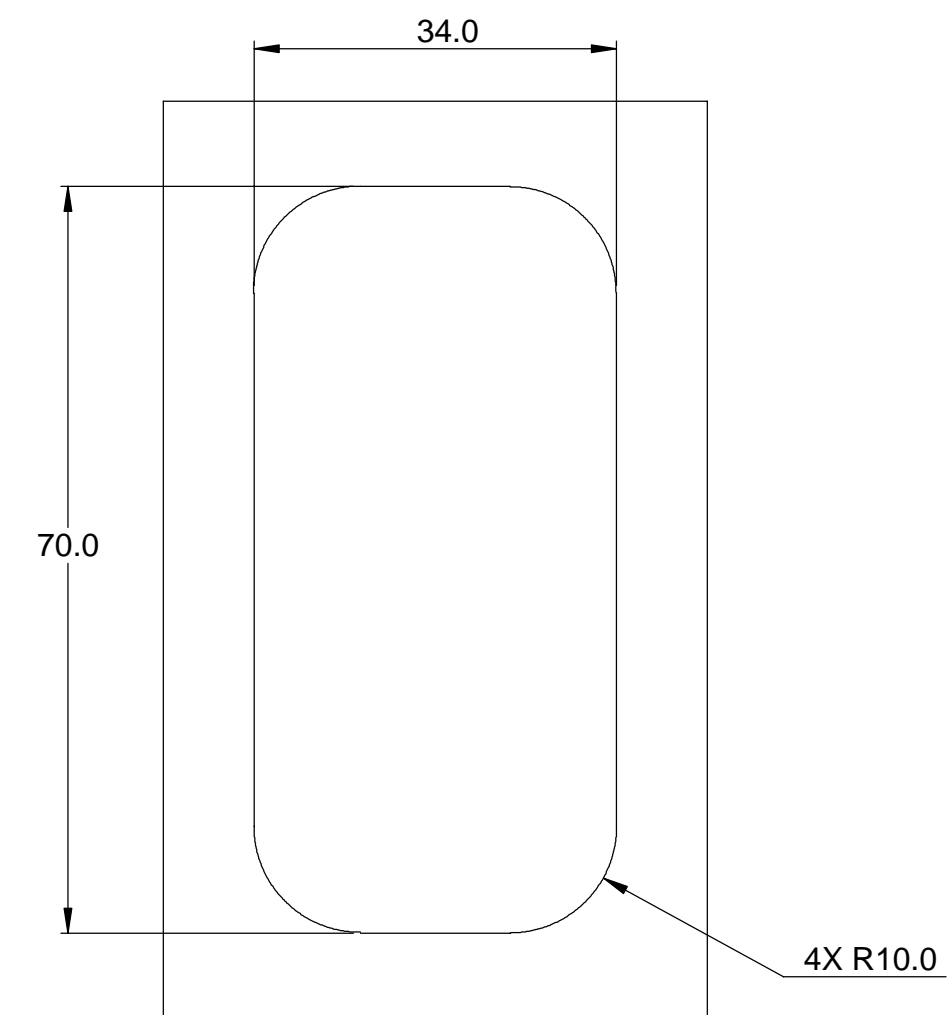
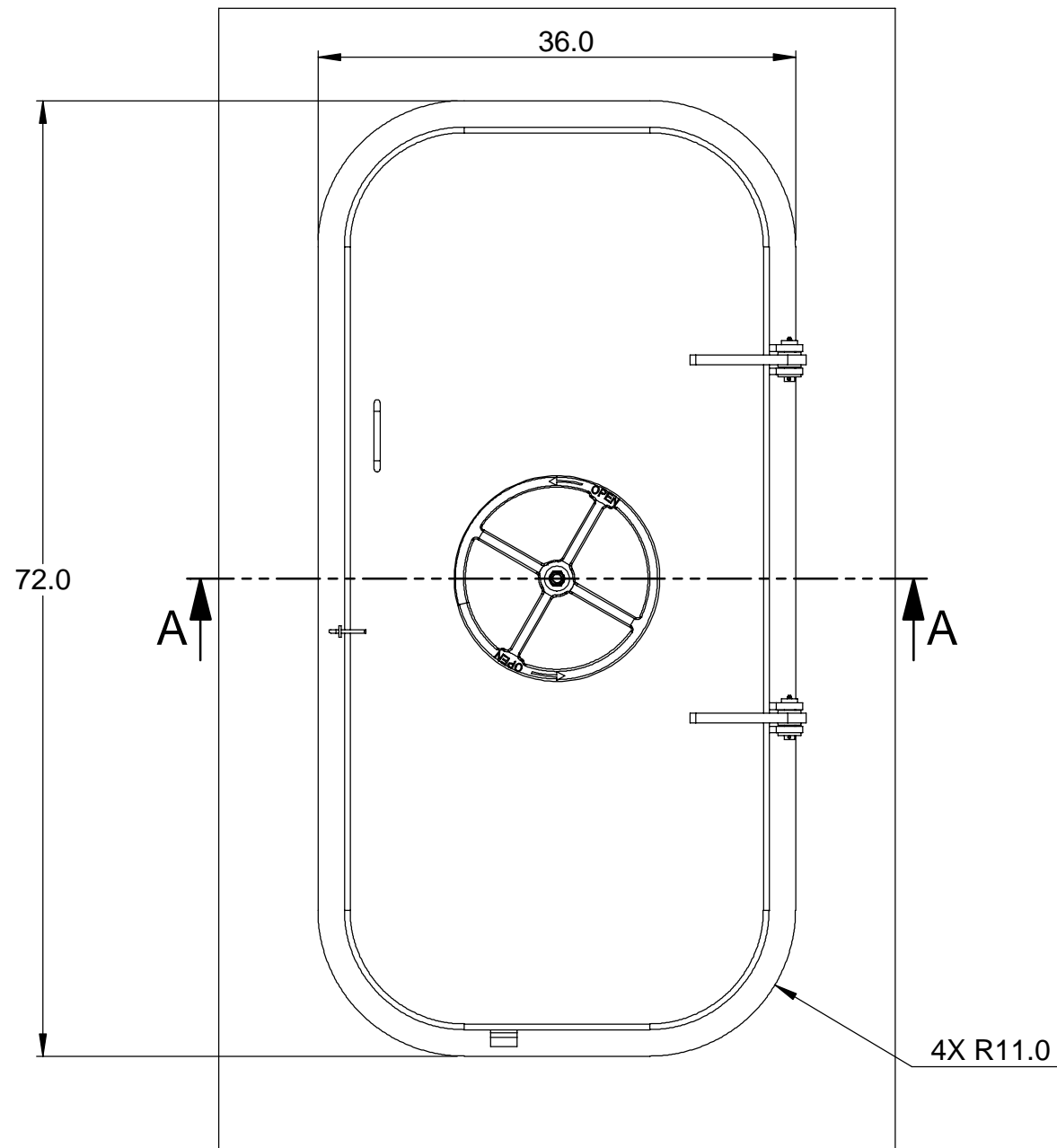
4

3

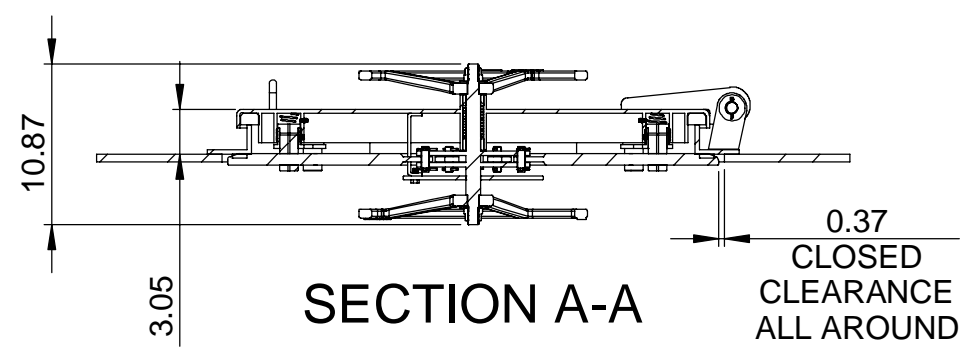
2

1

REVISIONS				
REV.	ECN	DESCRIPTION	DATE	APPROVED
A	19-00407	INITIAL RELEASE	06/05/19	RCL



**CUT-OUT DIMENSION VIEW**  
**SCALE 1:18**



**UMC P/N REF: 06122-101G**

CLASS <b>MAR</b>	THE INFORMATION CONTAINED IN THIS DOCUMENT IS PROPRIETARY AND SHALL NOT BE PRODUCED OR USED FOR ANY PURPOSE WITHOUT THE WRITTEN APPROVAL OF UNIVERSAL MOTION COMPONENTS	INCHES	<b>UMC</b> UNIVERSAL MOTION COMPONENTS Co., INC. 2920 Airway Ave., Costa Mesa, CA 92626	
MATERIAL <b>N/A</b>		TOLERANCES:		
WEIGHT(LBS) <b>N/A</b>		THIRD ANGLE PROJECTION	ANGLE $\pm 1/2^\circ$ .X $\pm .06$ .XX $\pm .03$ .XXX $\pm .015$ .XXXX $\pm .0050$	TITLE: <b>DOOR ASSY, QUICK ACTING, 30" X 66", R/H</b>
DWN. <b>BAE</b>	DT <b>06/04/19</b>	SIZE <b>B</b>	DWG. NO. <b>UMC-WTD-QA-30X66-R</b>	REV. <b>A</b>
CK.	DT	SCALE: 1:13 AND NOTED		SHEET 1 OF 2
APR.	DT			

8

7

6

5

4

3

2

1

8

7

6

5

4

3

2

1

D

D

C

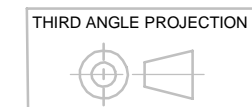
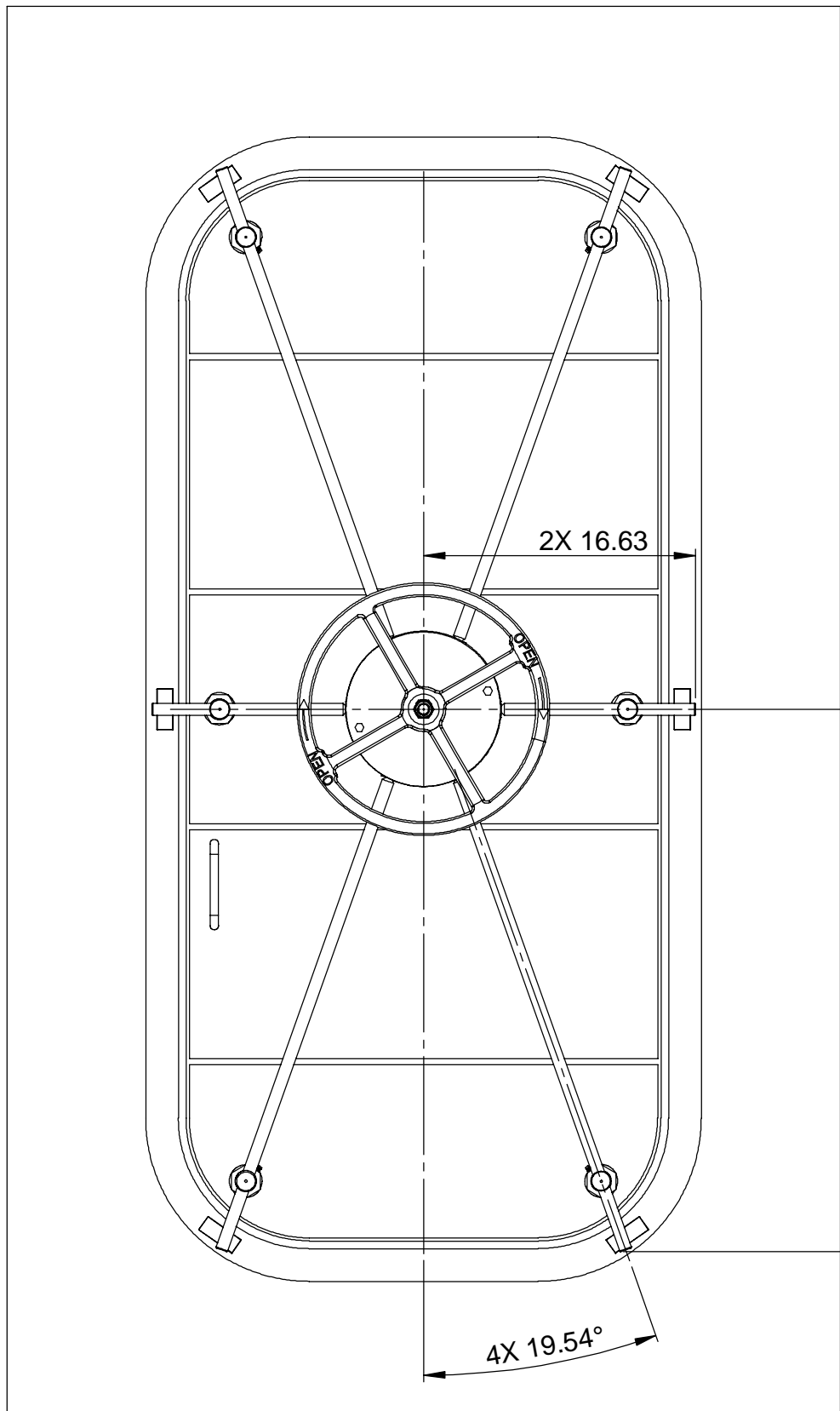
C

B

B

A

A



UMC P/N REF: 06122-101G

**UMC** UNIVERSAL MOTION  
COMPONENTS Co., INC.  
2920 Airway Ave., Costa Mesa, CA 92626

SIZE	DWG. NO.	REV.
<b>B</b>	UMC-WTD-QA-30X66-R	<b>A</b>
SCALE: 1:10 AND NOTED		SHEET 2 OF 2