

8

7

6

5

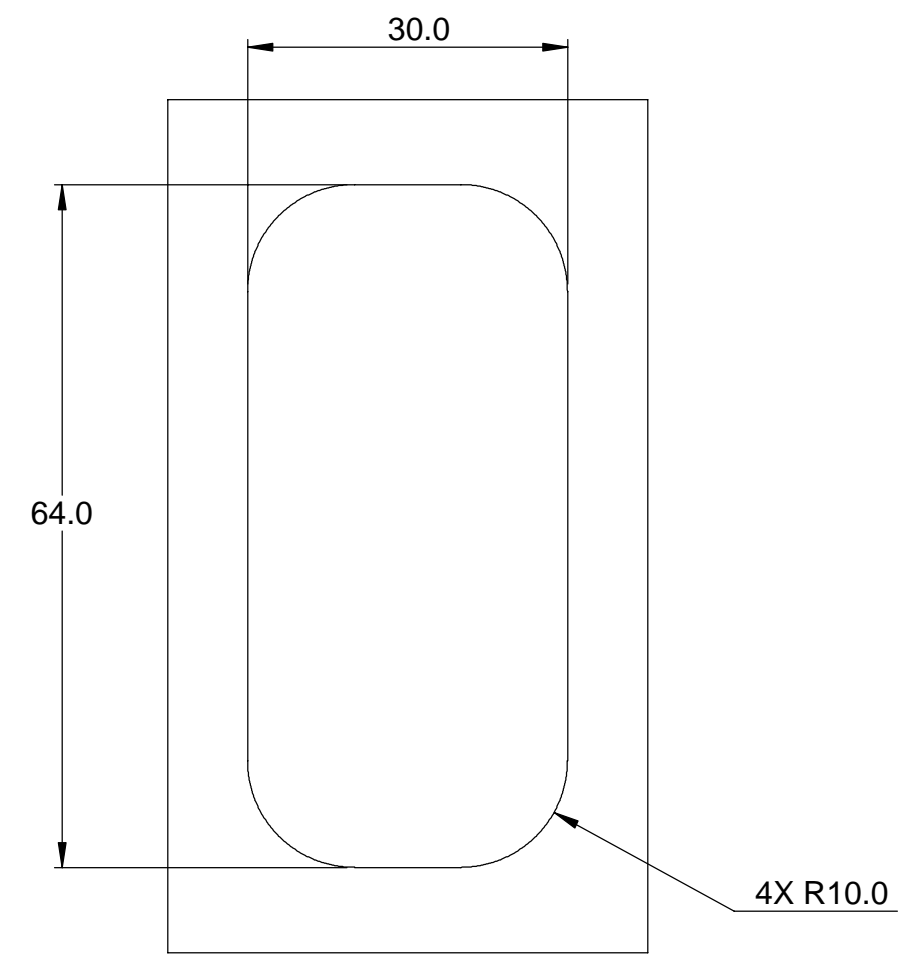
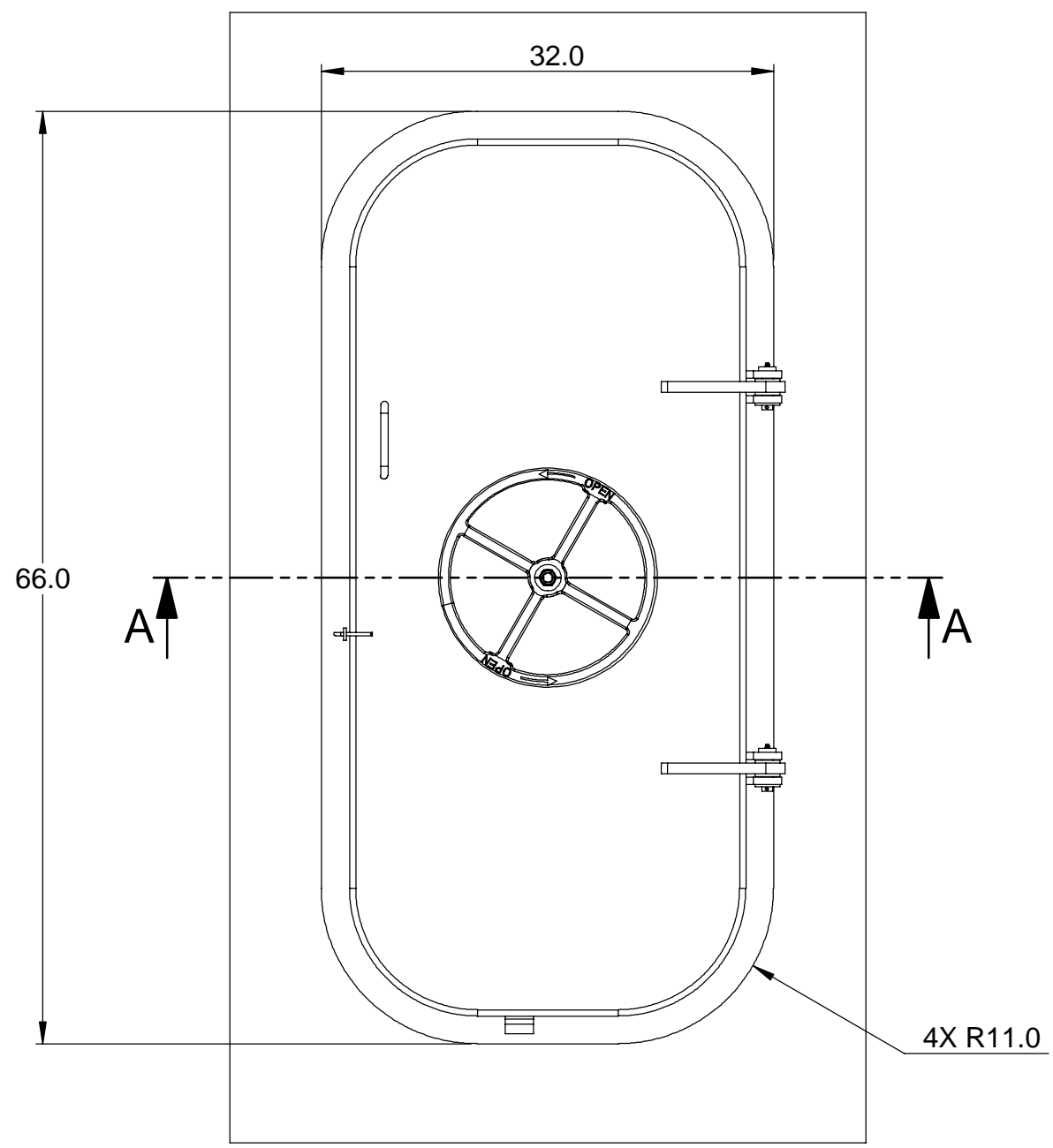
4

3

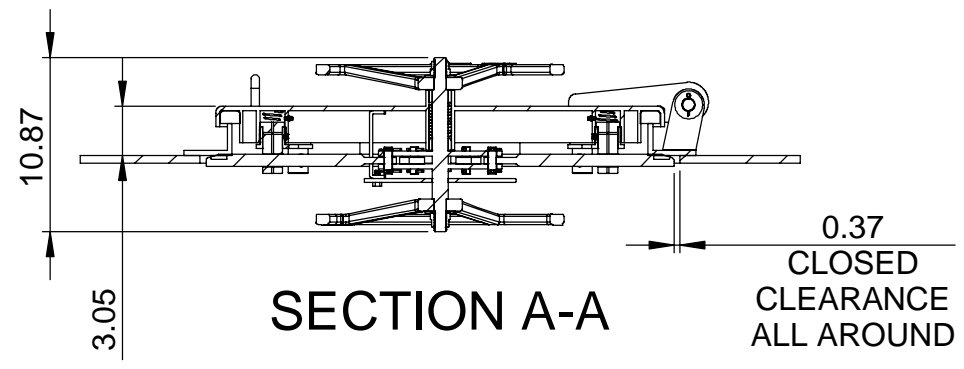
2

1

| REVISIONS | | | | |
|-----------|----------|-----------------|----------|----------|
| REV. | ECN | DESCRIPTION | DATE | APPROVED |
| A | 19-00407 | INITIAL RELEASE | 06/05/19 | RCL |



CUT-OUT DIMENSION VIEW
SCALE 1:18



SECTION A-A

UMC P/N REF: 06122-101C

| | | | |
|---------------------------|---|------------------------|--|
| CLASS MAR | THE INFORMATION CONTAINED IN THIS DOCUMENT IS PROPRIETARY AND SHALL NOT BE PRODUCED OR USED FOR ANY PURPOSE WITHOUT THE WRITTEN APPROVAL OF UNIVERSAL MOTION COMPONENTS | INCHES | UMC UNIVERSAL MOTION COMPONENTS Co., INC. 2920 Airway Ave., Costa Mesa, CA 92626 |
| MATERIAL N/A | | TOLERANCES: | |
| WEIGHT(LBS) N/A | | THIRD ANGLE PROJECTION | ANGLE $\pm 1/2^\circ$.X $\pm .06$.XX $\pm .03$.XXX $\pm .015$.XXXX $\pm .0050$ |
| DWN. BAE | DT 05/31/19 | SIZE B | DWG. NO. UMC-WTD-QA-26X60-R |
| CK. | DT | REV. A | |
| APR. | DT | SCALE: 1:12 AND NOTED | SHEET 1 OF 2 |

8

7

6

5

4

3

2

1

8

7

6

5

4

3

2

1

D

D

C

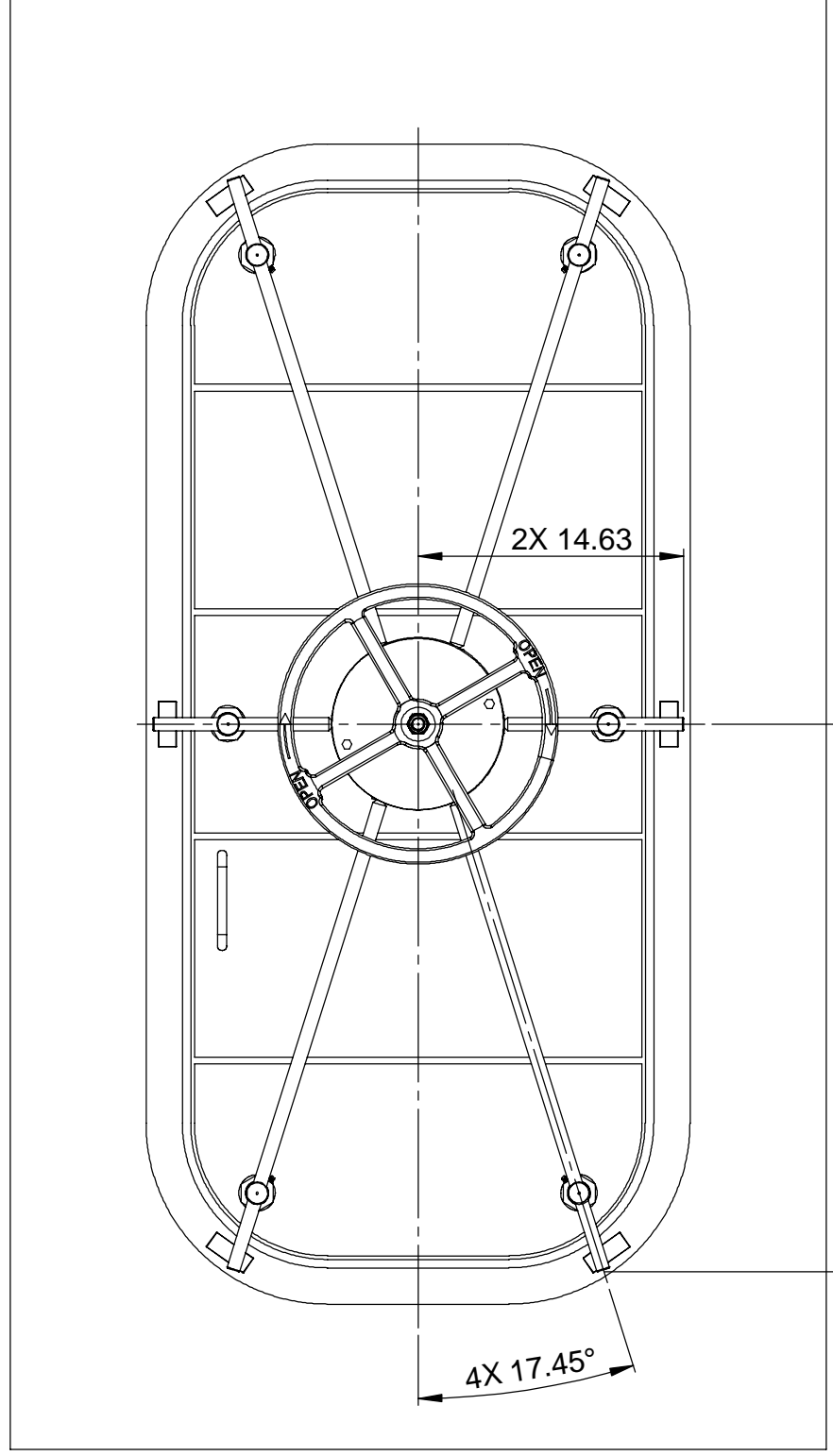
C

B

B

A

A



2X 14.63

4X 30.20

4X 17.45°

THIRD ANGLE PROJECTION



A

UMC UNIVERSAL MOTION
 COMPONENTS Co., INC.
 2920 Airway Ave., Costa Mesa, CA 92626

| | | |
|-----------------------|--------------------|--------------|
| SIZE | DWG. NO. | REV. |
| B | UMC-WTD-QA-26X60-R | A |
| SCALE: 1:10 AND NOTED | | SHEET 2 OF 2 |

UMC P/N REF: 06122-101C

8

7

6

5

4

3

2

1