

8

7

6

5

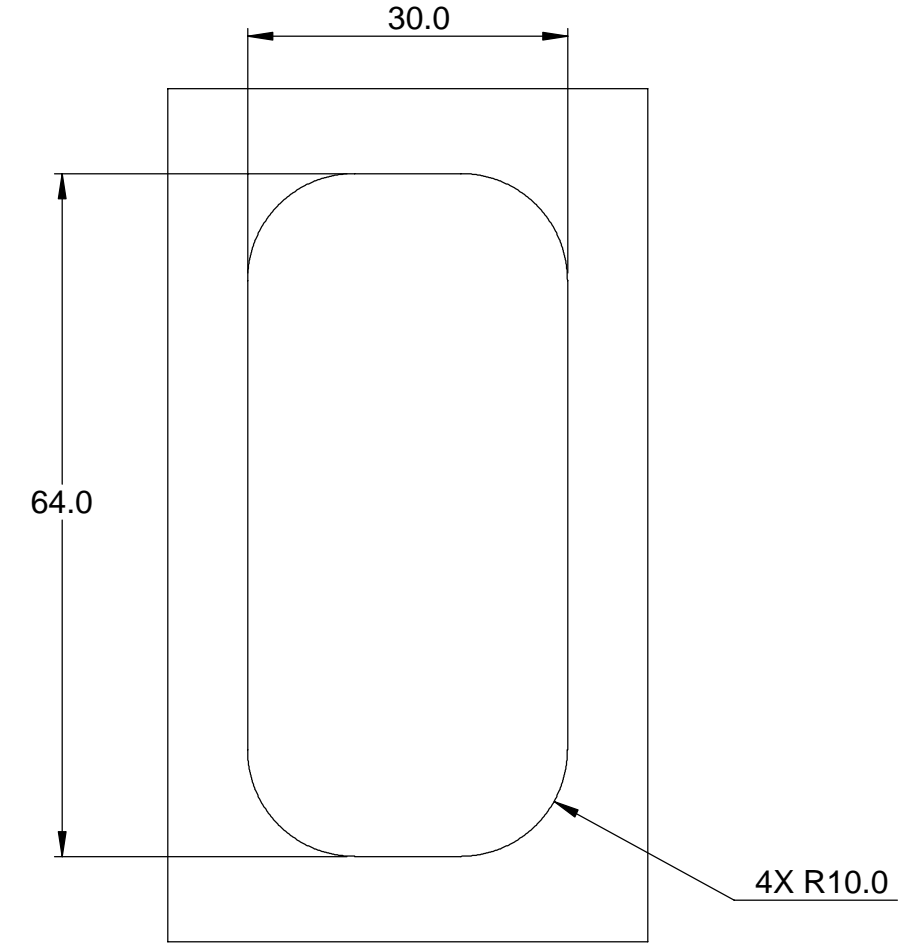
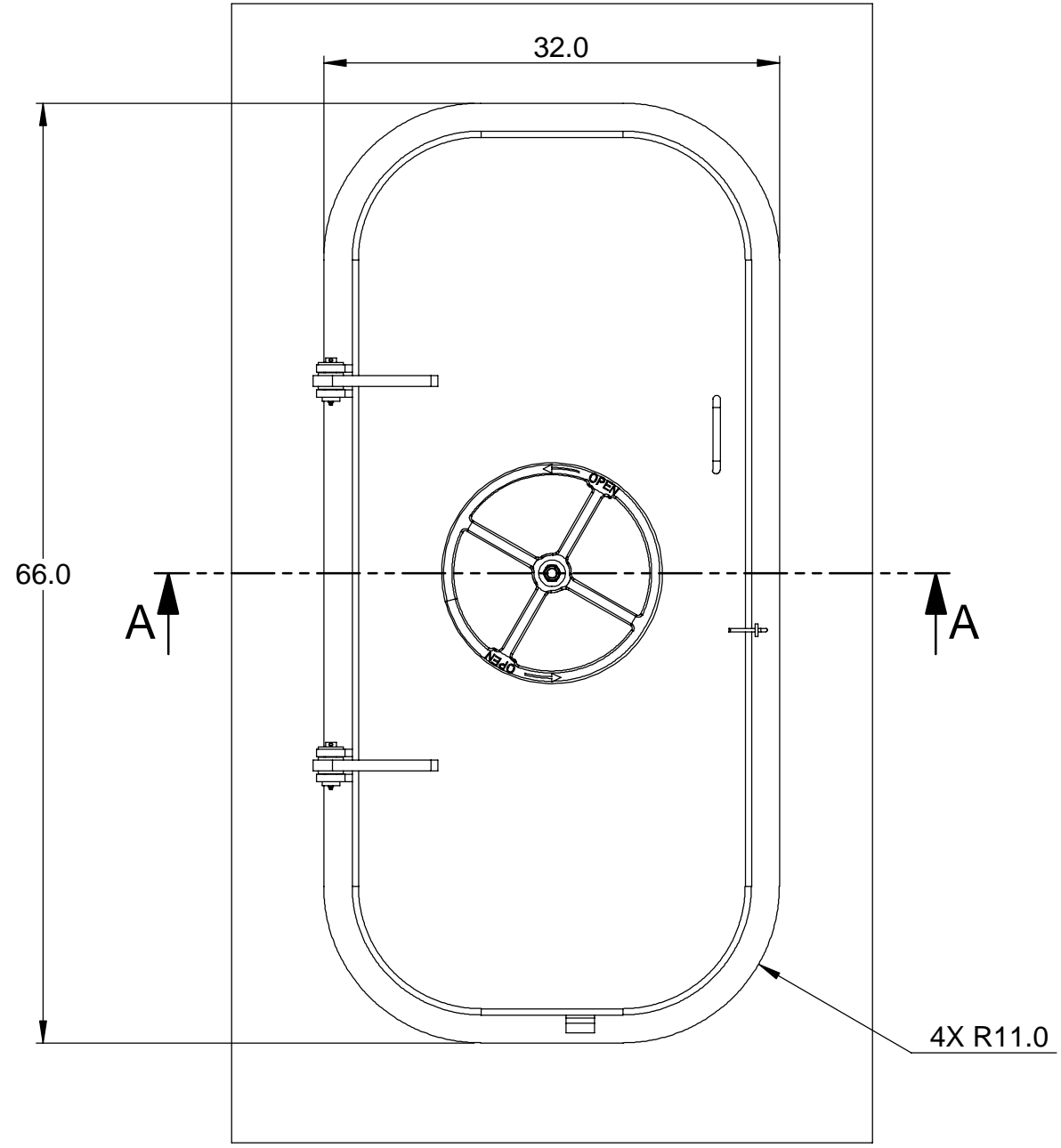
4

3

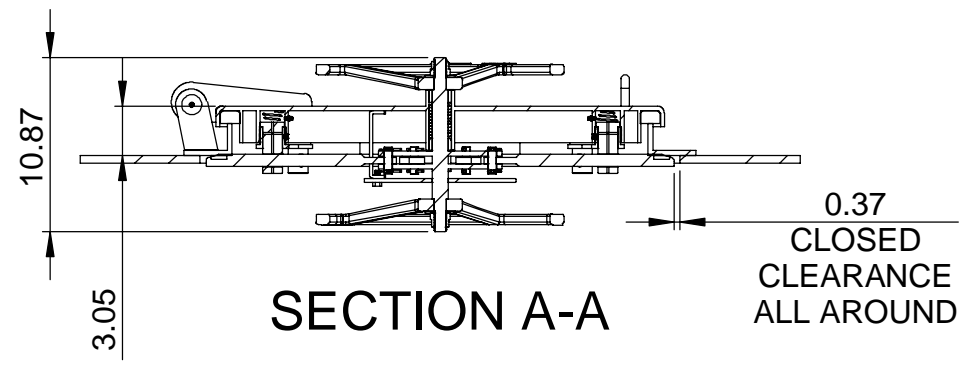
2

1

REVISIONS				
REV.	ECN	DESCRIPTION	DATE	APPROVED
A	19-00407	INITIAL RELEASE	06/05/19	RCL



**CUT-OUT DIMENSION VIEW**  
**SCALE 1:18**



**UMC P/N REF: 06122-101D**

CLASS	MAR
MATERIAL	N/A
WEIGHT(LBS)	N/A
THIRD ANGLE PROJECTION	
DWN.	DT
BAE	05/31/19
CK.	DT
APR.	DT

THE INFORMATION CONTAINED IN THIS DOCUMENT IS PROPRIETARY AND SHALL NOT BE PRODUCED OR USED FOR ANY PURPOSE WITHOUT THE WRITTEN APPROVAL OF UNIVERSAL MOTION COMPONENTS

INCHES	
TOLERANCES:	
ANGLE	± 1/2°
.X	± .06
.XX	± .03
.XXX	± .015
.XXXX	± .0050

**UMC** UNIVERSAL MOTION COMPONENTS Co., INC.  
2920 Airway Ave., Costa Mesa, CA 92626

TITLE:  
**DOOR ASSY, QUICK ACTING, 26" X 60", L/H**

SIZE	DWG. NO.	REV.
<b>B</b>	UMC-WTD-QA-26X60-L	<b>A</b>

SCALE: 1:12 AND NOTED SHEET 1 OF 2

8

7

6

5

4

3

2

1

8

7

6

5

4

3

2

1

D

D

C

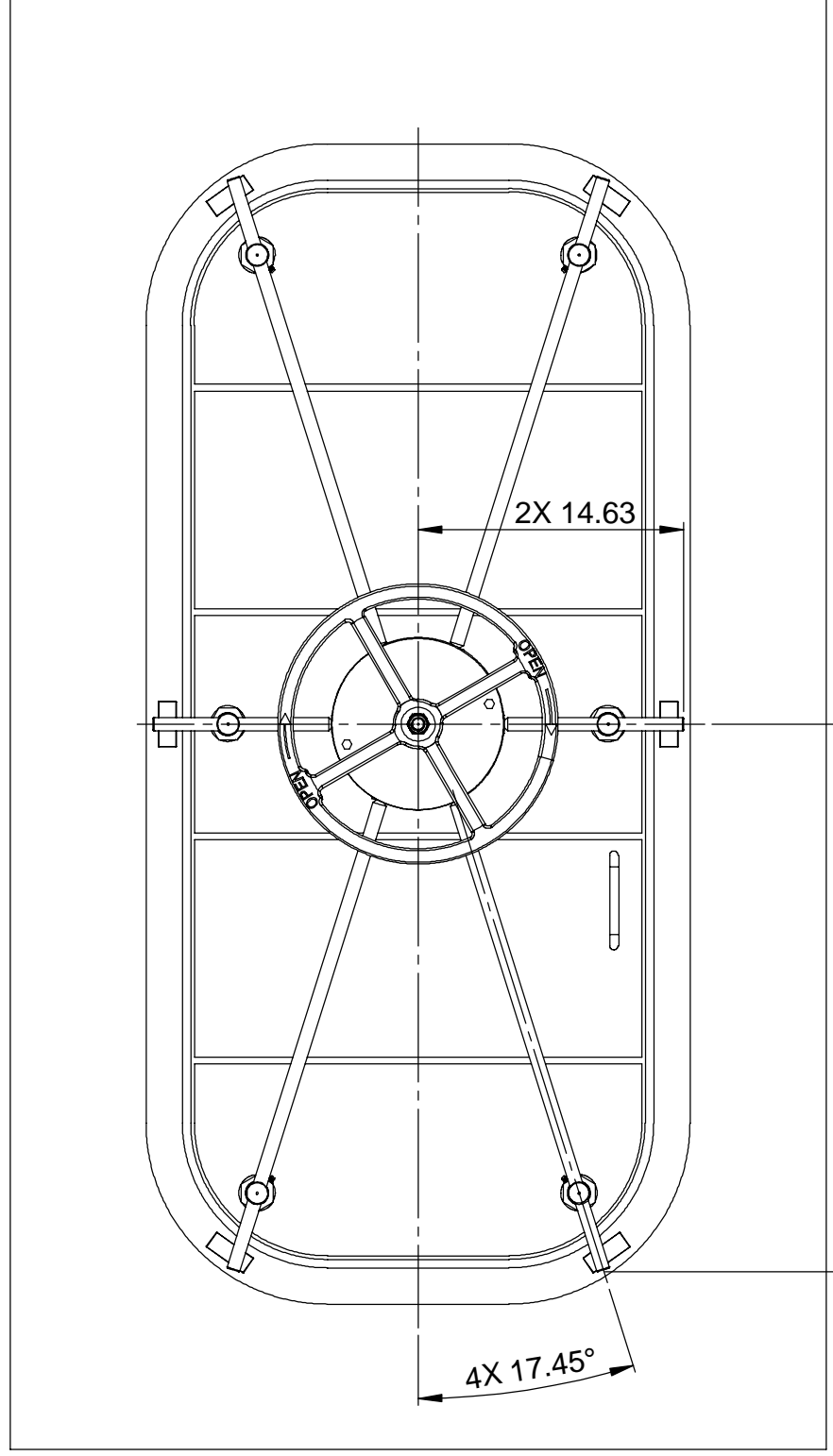
C

B

B

A

A



THIRD ANGLE PROJECTION



A

UMC P/N REF: 06122-101D

**UMC** UNIVERSAL MOTION  
COMPONENTS Co., INC.  
2920 Airway Ave., Costa Mesa, CA 92626

SIZE	DWG. NO.	REV.
<b>B</b>	UMC-WTD-QA-26X60-L	<b>A</b>
SCALE: 1:10 AND NOTED		SHEET 2 OF 2

8

7

6

5

4

3

2

1