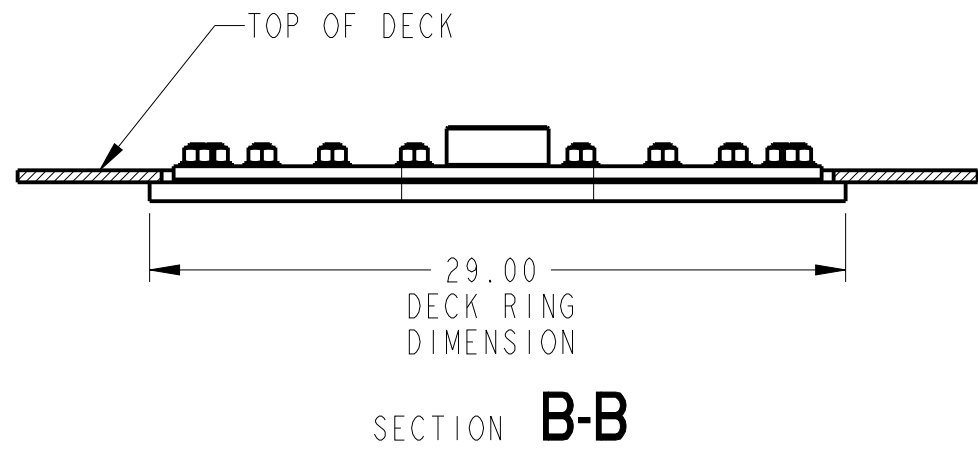
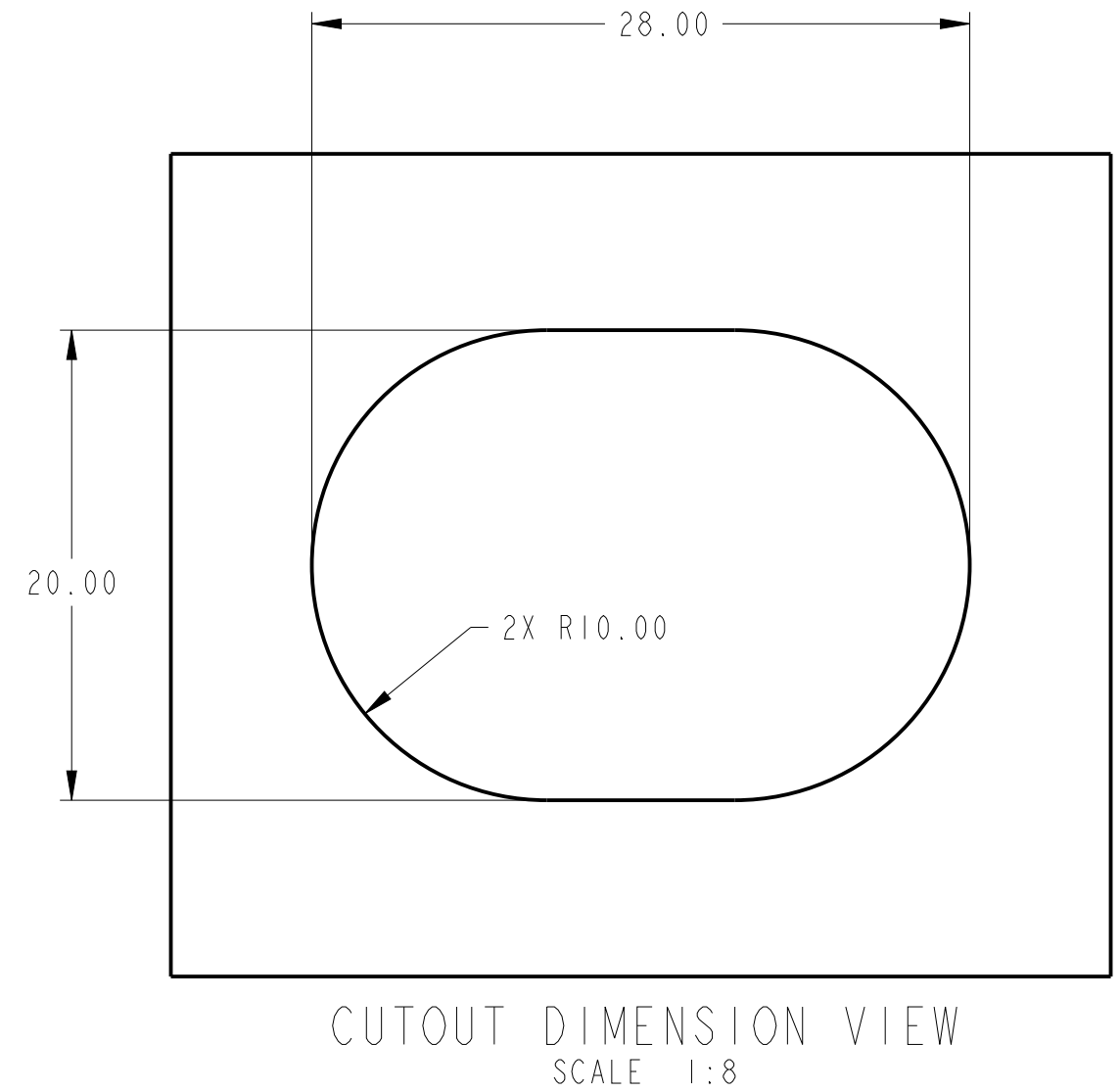
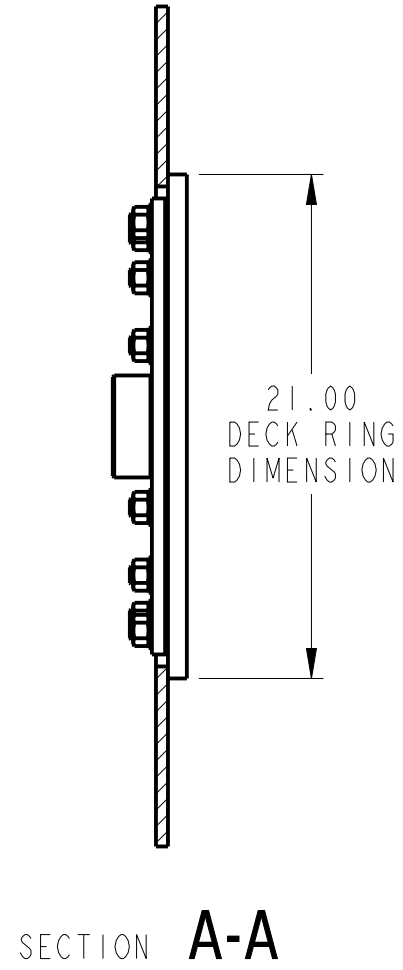
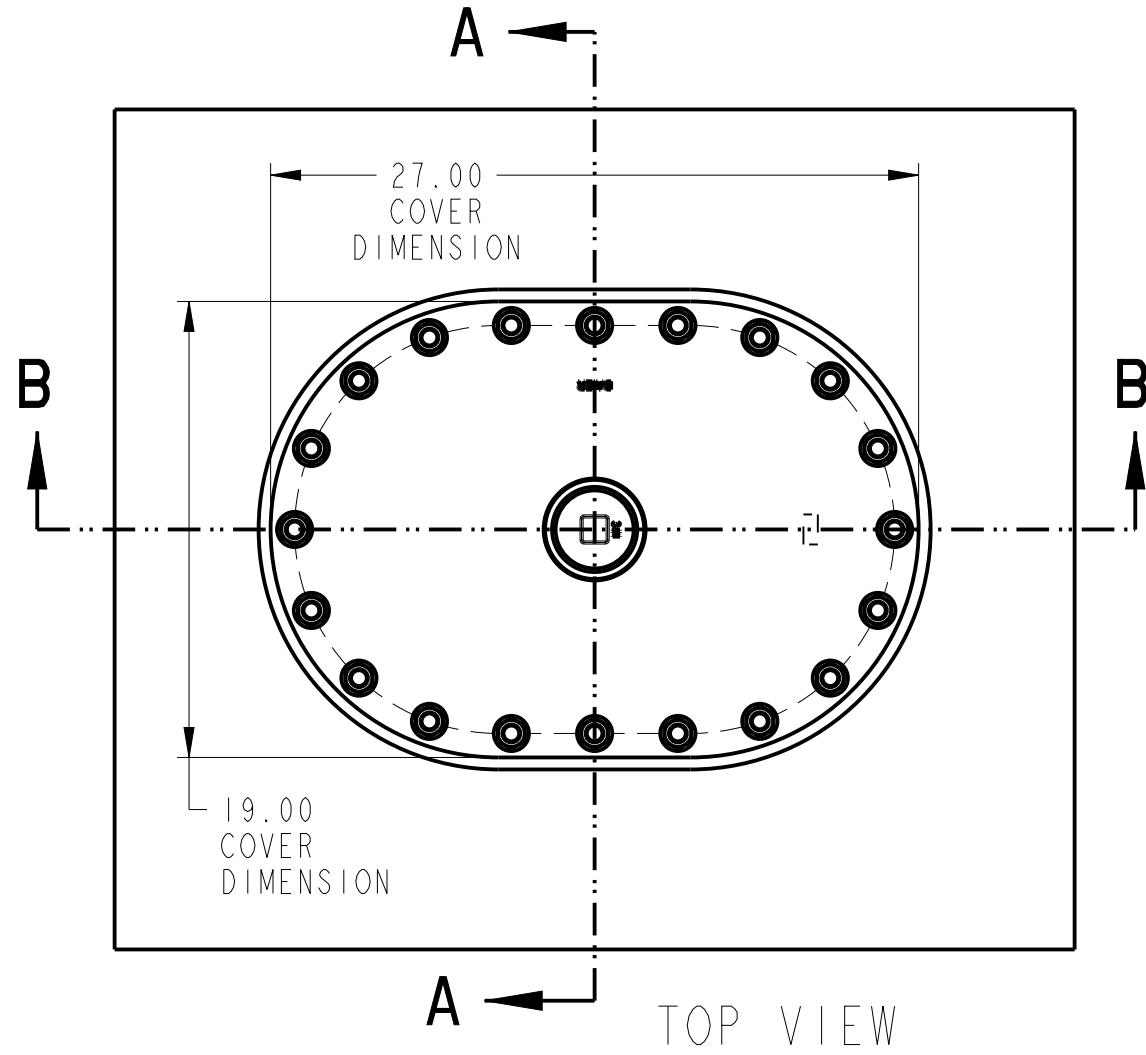


REVISIONS					
REV	ECN	ECR-TN	DESCRIPTION	DATE	APR
A	19-00422	N/A	INITIAL RELEASE	08/06/19	RCL



UMC P/N REF 08866-101Z		PRO/E THIRD ANGLE PROJECTION 	THE INFORMATION CONTAIN IN THIS DOCUMENT IS PROPRIETARY AND SHALL NOT BE REPRODUCED OR USED FOR ANY PURPOSE WITHOUT THE WRITTEN APPROVAL OF BAIER MARINE CO., INC.	 2920 Airway Ave., Costa Mesa, CA 92626 TITLE BAIER MAN HOLE COVER 15 X 23, Z
DWN BAE DT 08/02/19 CK DT APR DT	SIZE B SCALE 1:4 AND NOTED	DWG NO. BMHC15X23Z REV A	SHEET 1 OF 1	