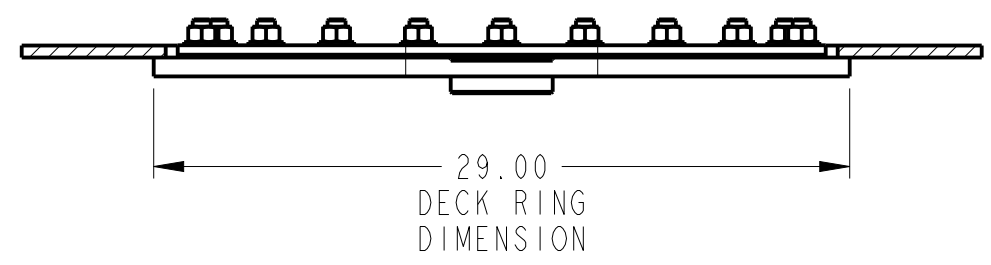
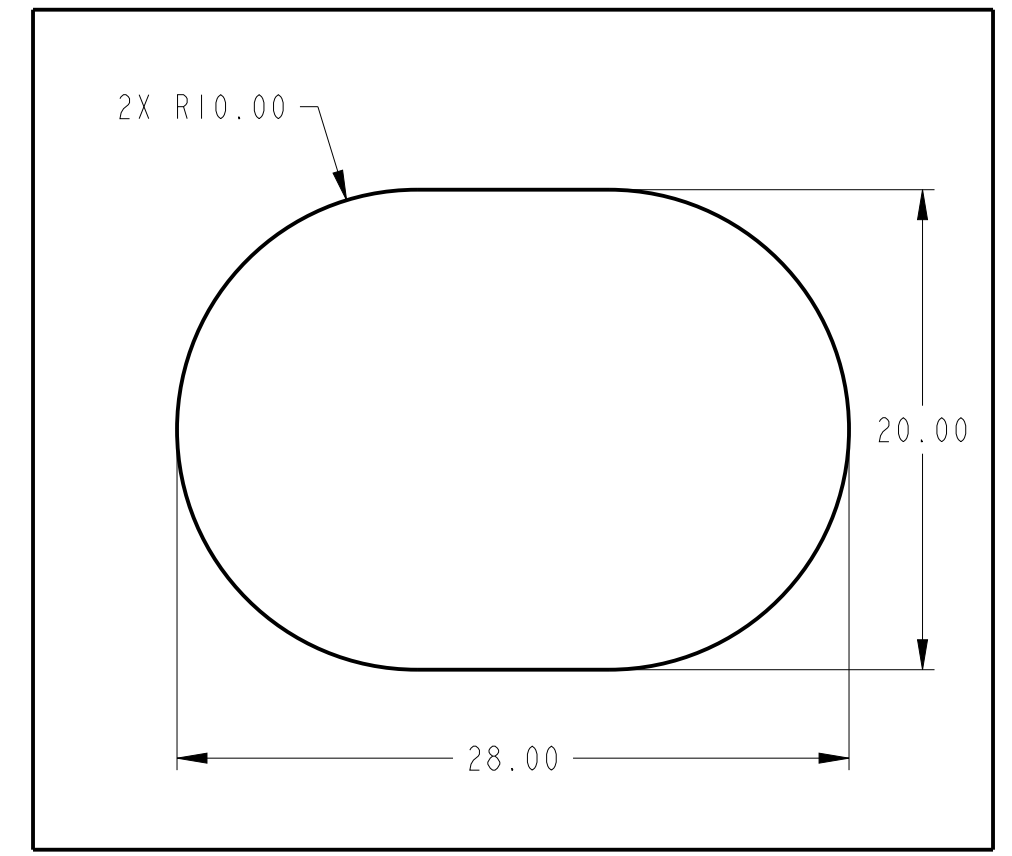
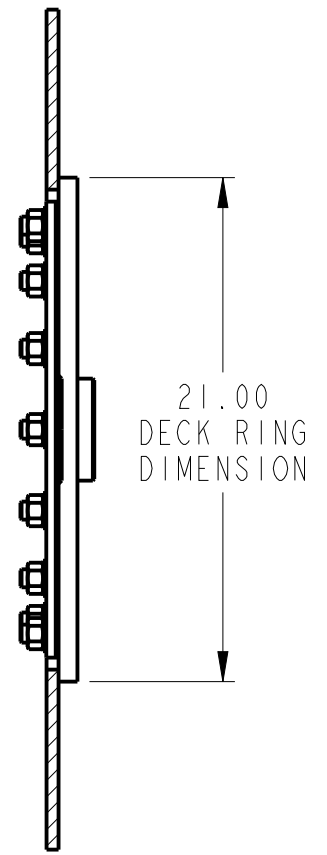
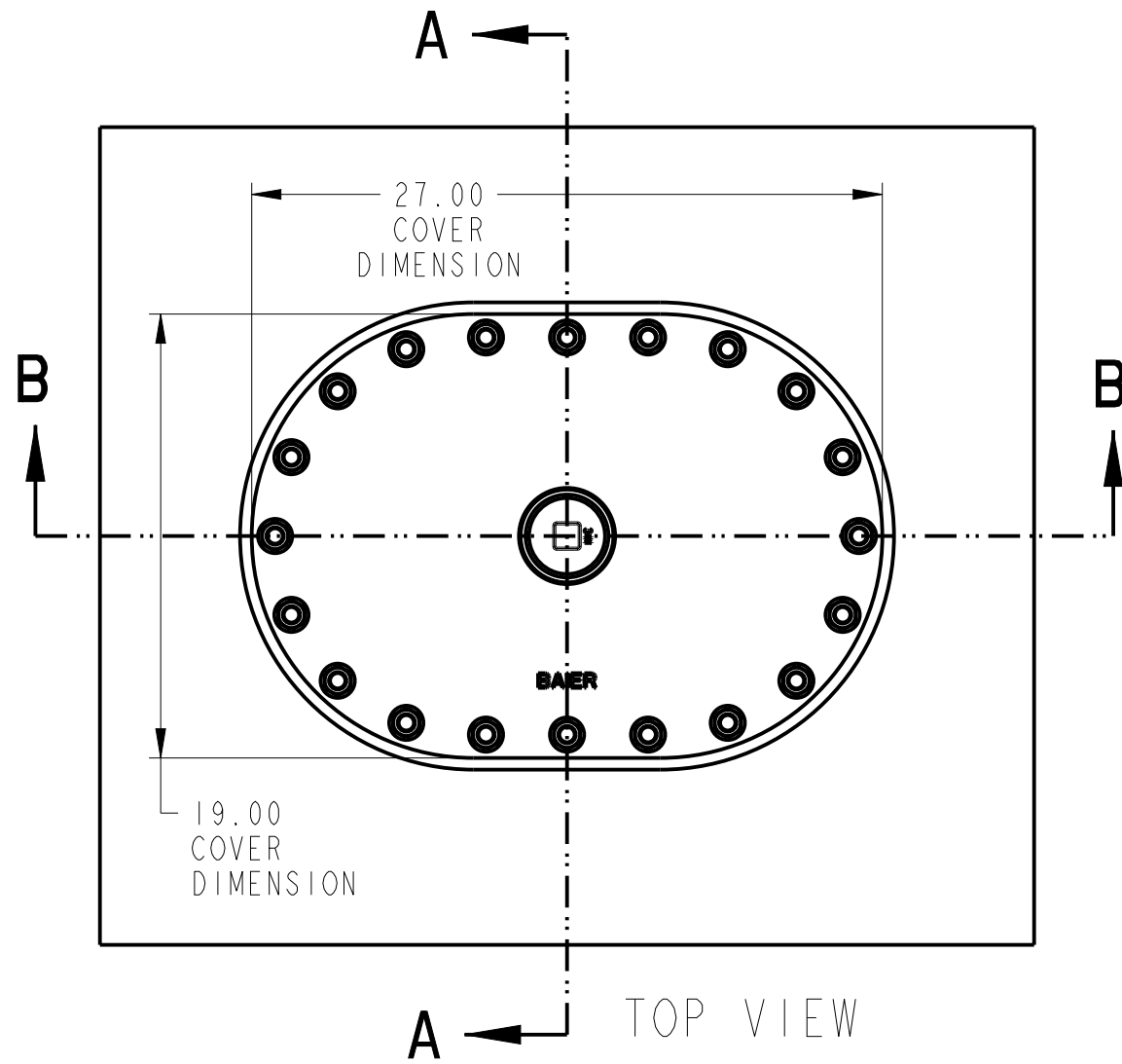



REVISIONS					
REV	ECN	ECR-TN	DESCRIPTION	DATE	APR
A	19-00422	N/A	INITIAL RELEASE	08/06/19	RCL



UMC P/N REF 08866-101H		PRO/E THIRD ANGLE PROJECTION		THE INFORMATION CONTAIN IN THIS DOCUMENT IS PROPRIETARY AND SHALL NOT BE REPRODUCED OR USED FOR ANY PURPOSE WITHOUT THE WRITTEN APPROVAL OF BAIER MARINE CO., INC.		 2920 Airway Ave., Costa Mesa, CA 92626	
DWN	BAE	DT	08/02/19	SIZE	B	DWG NO.	BMHC15X23H
CK		DT		SCALE 1:8 AND NOTED		REV	A
APR		DT		SHEET		1 OF 1	