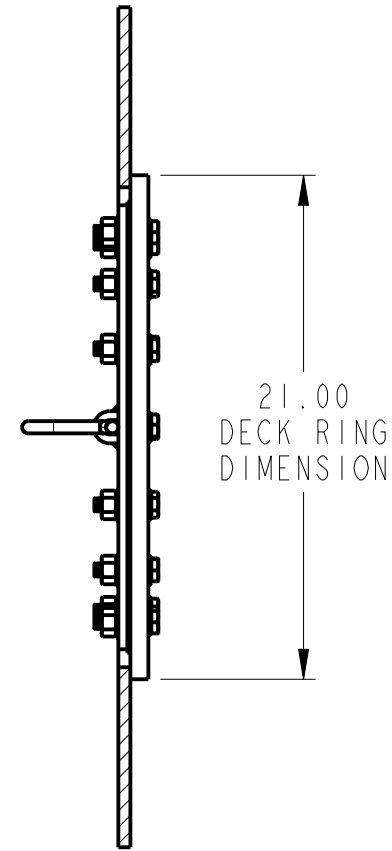
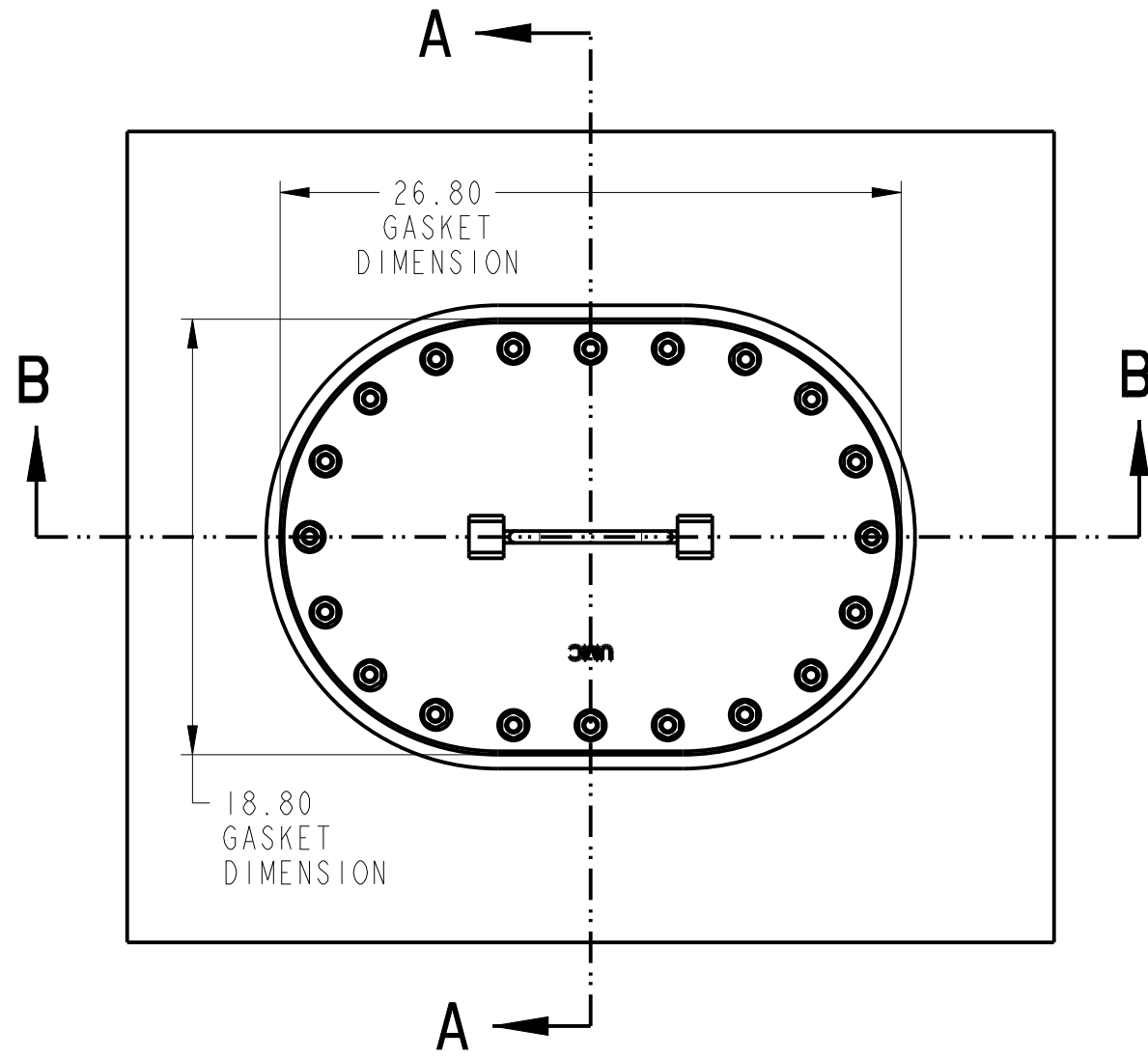
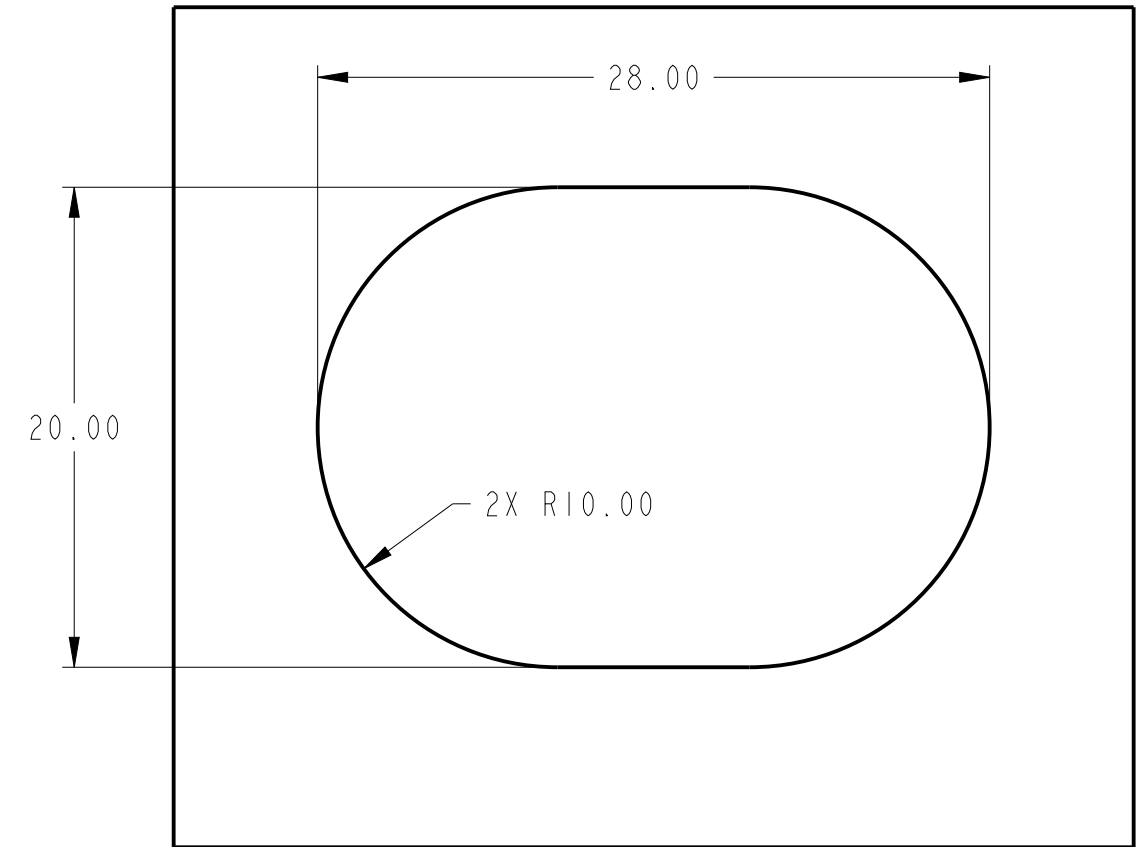


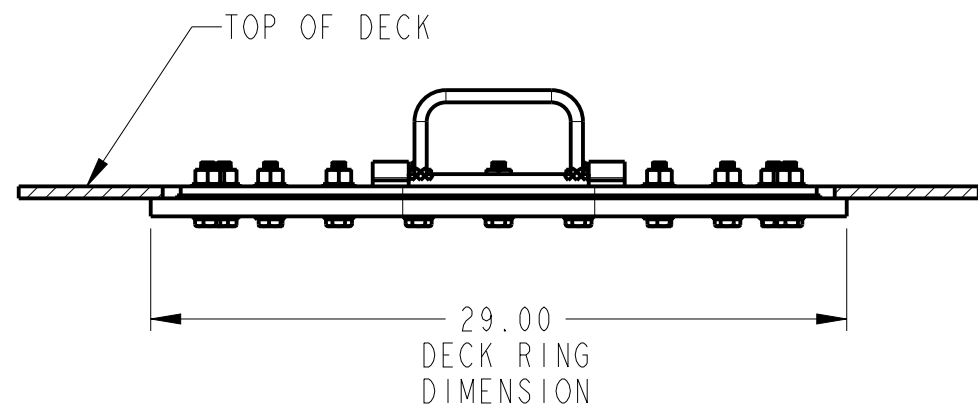
REVISIONS					
REV	ECN	ECR-TN	DESCRIPTION	DATE	APR
A	19-00422	N/A	INITIAL RELEASE	08/06/19	RCL



SECTION A-A

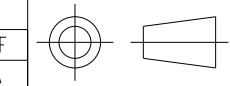


CUTOUT DIMENSION VIEW
SCALE 1:8




SECTION B-B

PRO/E
THIRD ANGLE PROJECTION



UMC P/N REF
02590-101A

THE INFORMATION CONTAIN IN THIS DOCUMENT IS PROPRIETARY AND SHALL NOT BE REPRODUCED OR USED FOR ANY PURPOSE WITHOUT THE WRITTEN APPROVAL OF BAIER MARINE CO., INC.				 2920 Airway Ave., Costa Mesa, CA 92626	
DWN	BAE	DT	08/02/19	SIZE	DWG NO.
CK		DT		B	02590-101A_CUTOUT
APR		DT		SCALE 1:1 AND NOTED	REV A
				SHEET	1 OF 1