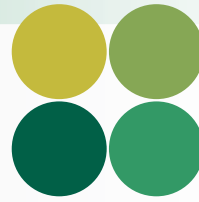


## Quality Irrigation Products



ISO 9001:2008  
CERTIFIED



# UMC®

[www.umcproducts.com](http://www.umcproducts.com)

2920 Airway Ave, Costa Mesa, Ca. 92626  
phone: 714.437.9600 fax: 714.437.9700

## Final Drive Gearbox



## Moderate Duty Gearbox

### Designed for short spans and small tires

This gearbox is meant to be an economical option for growers. It is designed for use on towers that support shorter spans and/or smaller diameter pipes in conjunction with smaller tires and field conditions where there is light soil and flat/level terrain.

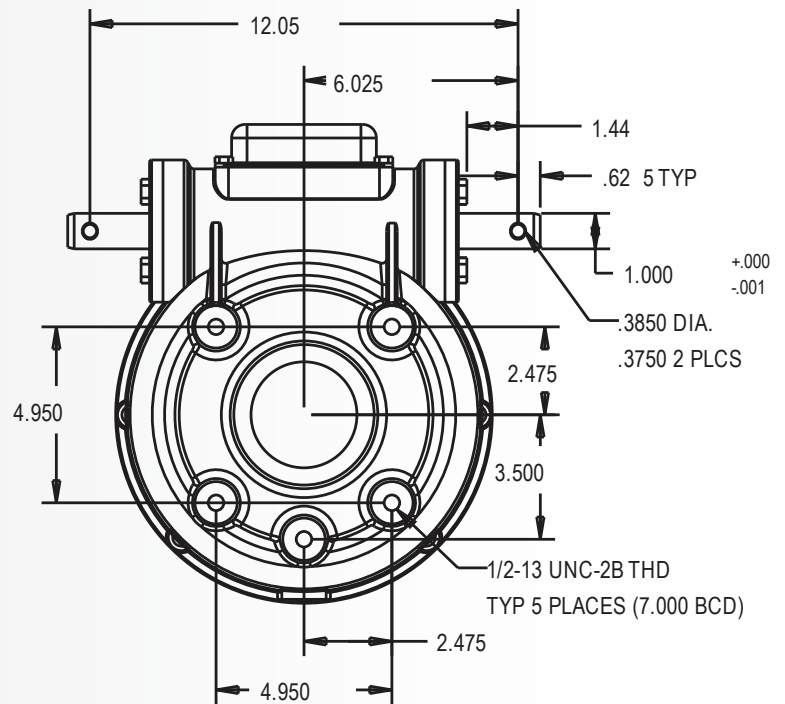
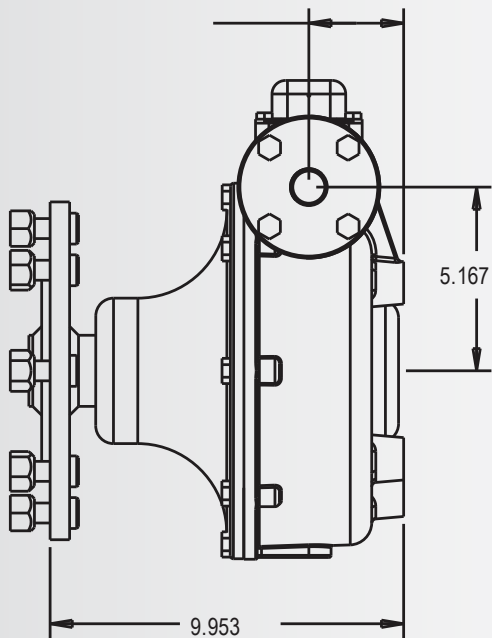
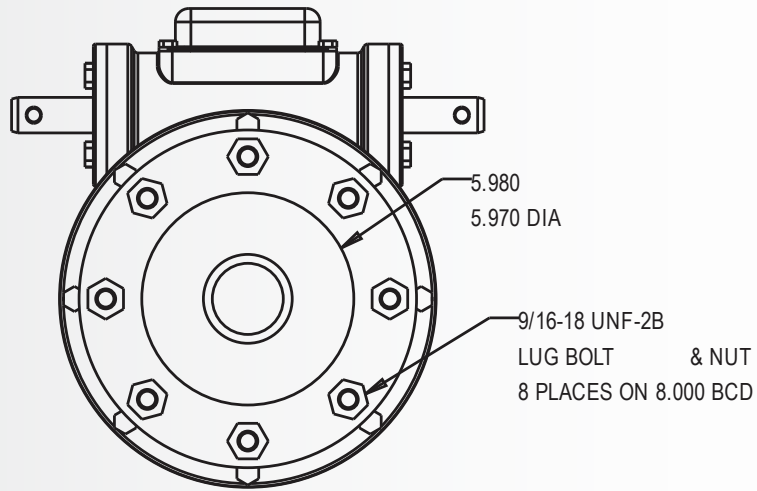
Model Number	Ratio
Moderate Duty Gearbox	50:1

## Features and Benefits

UMC's Moderate Duty final drive gearbox features a 2" output shaft and is designed for use on center pivots and lateral move/linear irrigation systems.

- ▶ 2" output shaft
- ▶ 50:1 gear ratio
- ▶ Dual input seals
- ▶ 5-hole mounting pattern
- ▶ Full cycle expansion chamber with stainless steel cover
- ▶ Filled with extreme pressure worm gear oil
- ▶ Steel output shaft and input shaft
- ▶ Tapered roller bearings
- ▶ Includes carriage bolts and nuts
- ▶ Dual ended input shaft

[sales@umcproducts.com](mailto:sales@umcproducts.com)



[sales@umcproducts.com](mailto:sales@umcproducts.com)



[www.umcproducts.com](http://www.umcproducts.com)



**Universal Motion Components, Co. Inc.**  
 2920 Airway Ave, Costa Mesa, Ca. 92626  
 Phone - 714-437-9600 Fax - 714-437-9700  
 Web - <http://www.umcproducts.com>  
 E-mail - [sales@umcproducts.com](mailto:sales@umcproducts.com)