

Universal Motion Components

Quality Irrigation Products



ISO 9001:2008
CERTIFIED

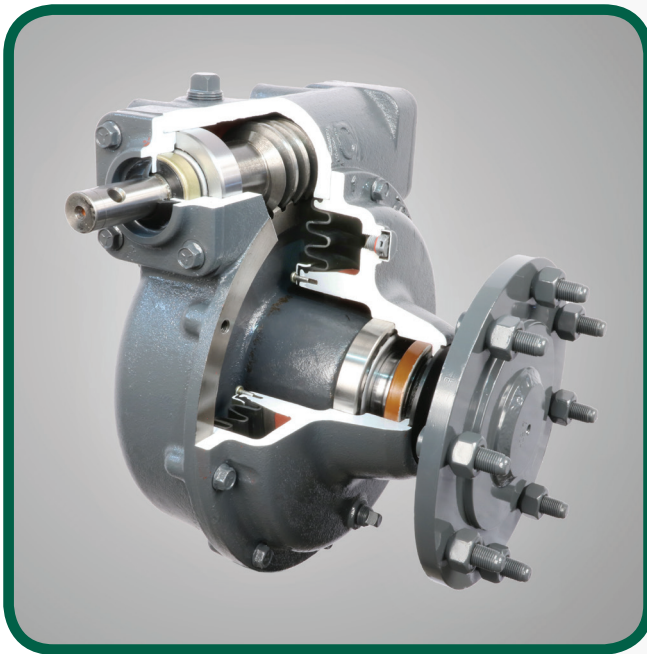


UMC

www.umcproducts.com

2920 Airway Ave, Costa Mesa, Ca. 92626
phone: 714.437.9600 fax: 714.437.9700

Final Drive Gearbox



765-U-AD™ Gearbox

Designed for heavy spans, corner systems, lateral carts and extreme conditions.

UMC's 765-U-AD™ gearbox is typically used for the most extreme conditions and applications. This gearbox is designed to handle the extreme loads of a corner system, lateral cart and heavy towers. It is the ideal choice for areas where extreme field conditions exist and machines run high annual hours of operation.

Model Number	Ratio
765-UV	50:1

Features and Benefits

The UMC® 765-U-AD™ is our largest, most durable and highest performance gearbox. It is a direct replacement for its predecessor, the 760-U™, and features several improvements that enhance load capacity, gear life and seal life.

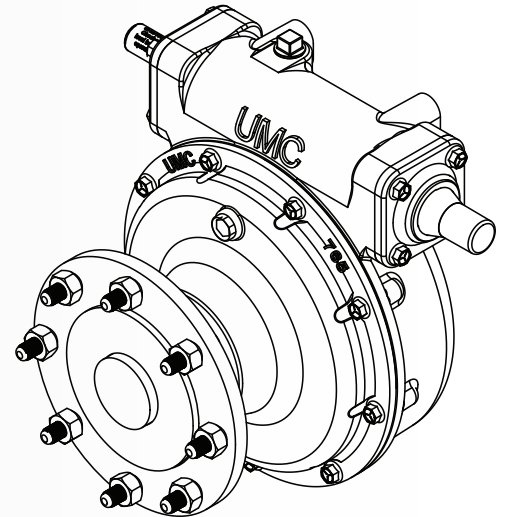
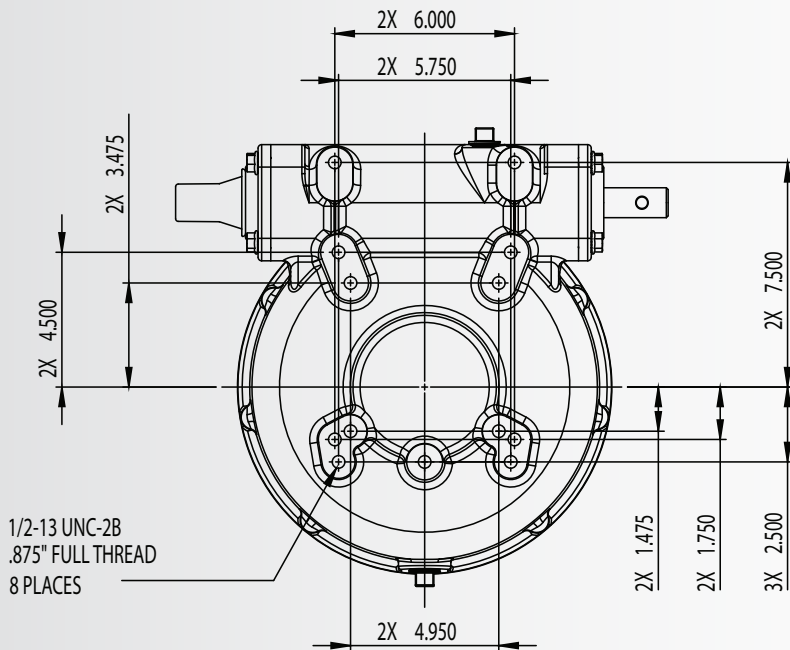
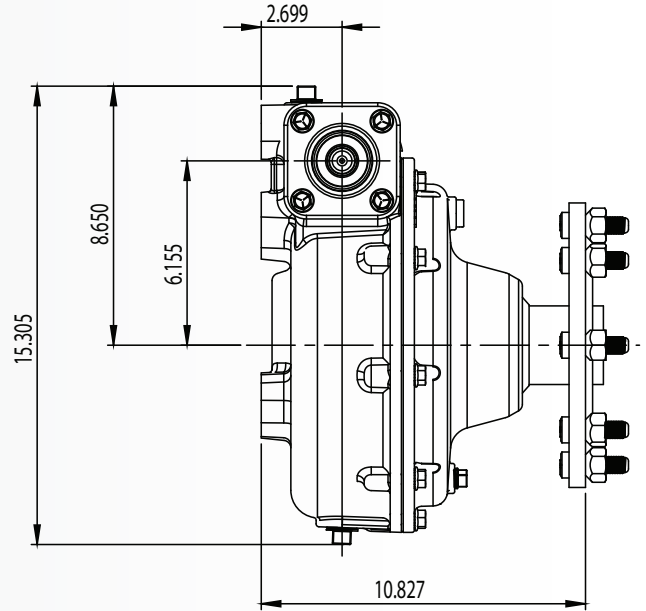
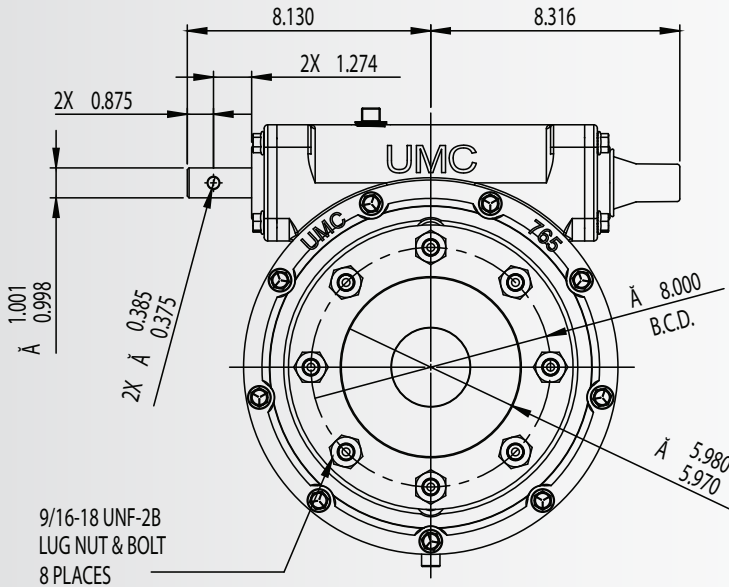
- ▶ 2.5" steel output shaft
- ▶ 50:1 gear ratio
- ▶ Cartridge Input and Output Seals
- ▶ Patent Pending Vented Internal Diaphragm with large expansion cavity for near zero psi pressure accumulation which increases seal life and reduces oil leaks
- ▶ Enhanced gear material that allows for improved load capacity, less gear wear and lower operating temperatures, extending gearbox life
- ▶ 16 bolt mounting pattern
- ▶ External seal protectors for input and output seals
- ▶ Largest output bearings in the industry
- ▶ Dual ended input shaft with hub cap for the unused end
- ▶ Top oil fill plug
- ▶ Filled with extreme pressure gear oil
- ▶ Extra long carriage bolts allow use with reinforced rims

sales@umcproducts.com

Universal Motion Components

Dimensional Drawing

765-U-AD™ Final Drive Gearbox



Fits most Lindsay, Valmont, Reinke, and Pierce systems.

sales@umcproducts.com



www.umcproducts.com



Universal Motion Components, Co. Inc.
2920 Airway Ave, Costa Mesa, Ca. 92626
Phone - 714-437-9600 Fax - 714-437-9700
Web - <http://www.umcproducts.com>
E-mail - sales@umcproducts.com