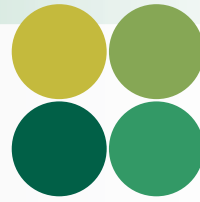


Quality Irrigation Products



UMC®



ISO 9001:2008
CERTIFIED

www.umcproducts.com

2920 Airway Ave, Costa Mesa, Ca. 92626
phone: 714.437.9600 fax: 714.437.9700



740-U Gearbox (Assembled in the USA)

Designed for longer spans, larger wheels, and heavier towers

This gearbox is UMC's standard ultimate duty gearbox that is capable of handling nearly any field condition. Many growers like the versatility of the 740 as it allows for operating in conditions where agricultural practices and field conditions are more demanding.

Model Number	Ratio
740-U-AD	50:1

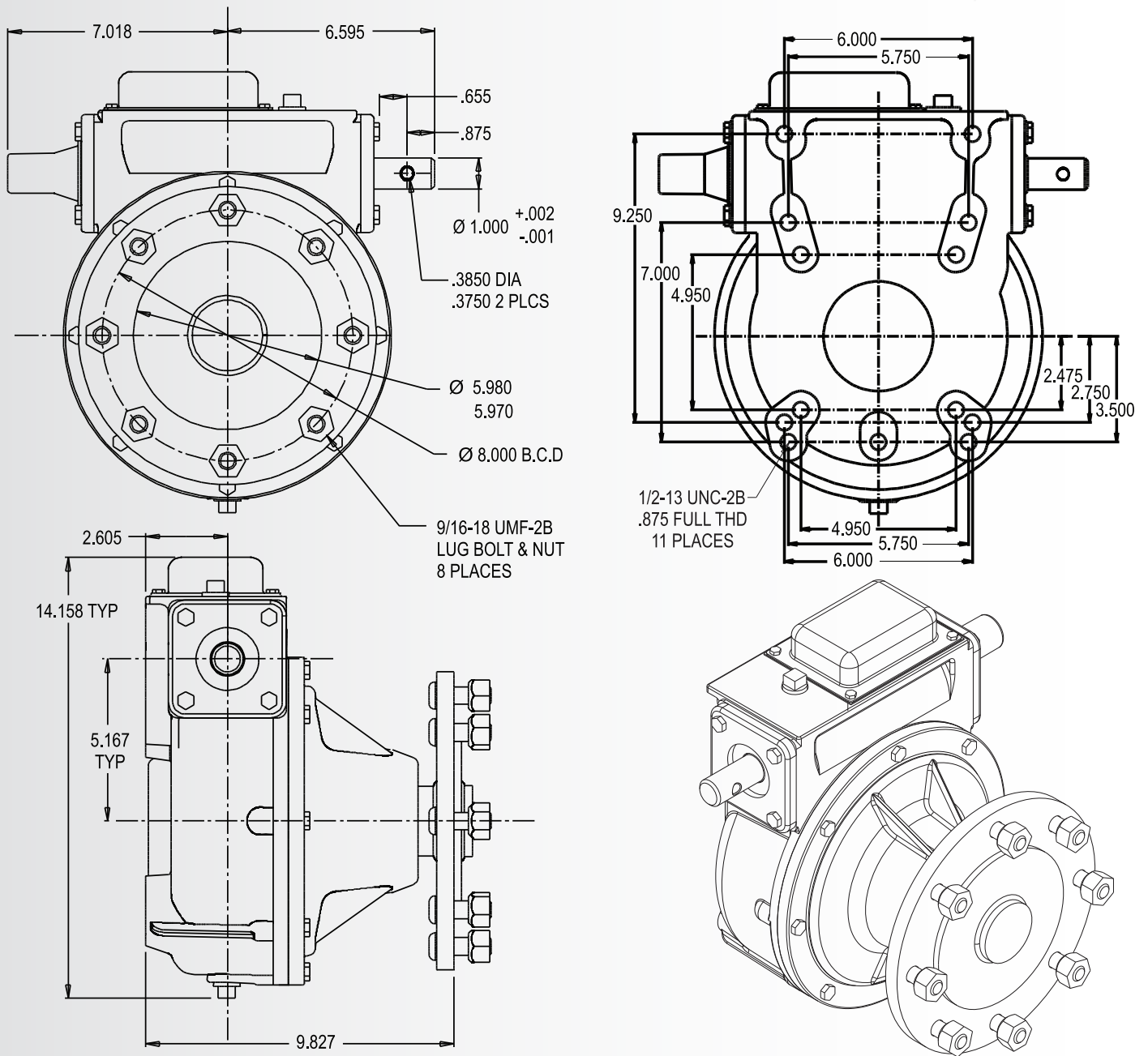
Features and Benefits

The UMC® 740 final drive gearbox features a 2.25" output shaft with larger input bearings capable of handling more input load. The gearbox also features cartridge input and output seals. It is designed to support longer spans, larger wheels, and heavier towers for use on center pivots and lateral move/ linear irrigation systems.

- ▶ 2.25" output shaft
- ▶ 50:1 gear ratio
- ▶ Cartridge input and output seals
- ▶ Larger input bearings
- ▶ Input shaft guard
- ▶ External seal protectors for input and output seals
- ▶ Top oil fill plug
- ▶ 11-Bolt mounting pattern
- ▶ Full cycle expansion chamber with stainless steel cover
- ▶ Filled with extreme pressure worm gear oil
- ▶ Steel output shaft and input shaft
- ▶ Tapered roller bearings
- ▶ Includes carriage bolts and nuts
- ▶ Dual ended input shaft

sales@umcproducts.com

Universal Motion Components®



sales@umcproducts.com



www.umcproducts.com



Universal Motion Components, Co. Inc.
2920 Airway Ave, Costa Mesa, Ca. 92626
Phone - 714-437-9600 Fax - 714-437-9700
Web - <http://www.umcproducts.com>
E-mail - sales@umcproducts.com