

## Quality Irrigation Products



# UMC®



UMC is a ISO 9001:2015  
Certified Company

[www.umcproducts.com](http://www.umcproducts.com)

2920 Airway Ave, Costa Mesa, Ca. 92626  
phone: 714.437.9600 fax: 714.437.9700

## Final Drive Gearbox

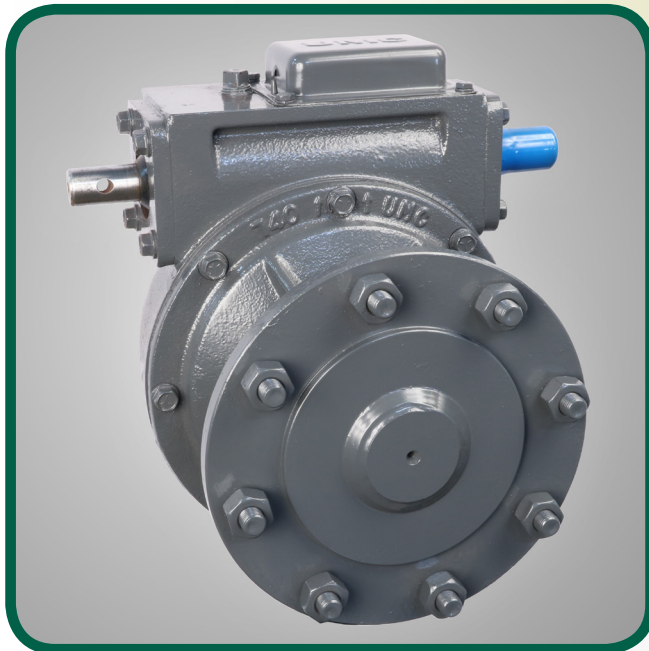
### 740-U-AD™ Gearbox

**The highest performance standard gearbox in the industry**

The UMC® 740-U-AD™ gearbox is purpose built for higher performance and longer life. Its a work-alike to the 740-U™ gearbox with enhanced gear material that allows for significantly increased load capacity and gear life. Based on UMC's testing, the 740-U-AD™ has the highest load capacity and longest gear life of any gearbox in its class. This is the ideal gearbox for anyone looking for a gearbox built to last longer and handle more.

Part Number	Gear Ratio
10141-105VD	50:1

- ▶ Full cycle external expansion chamber with stainless steel cover
- ▶ 13-Bolt mounting pattern
- ▶ External seal protectors for input and output seals
- ▶ Dual ended input shaft with hub cap for the unused end
- ▶ Top oil fill plug
- ▶ Filled with extreme pressure gear oil
- ▶ Extra long carriage bolts allow use with reinforced rims
- ▶ Positive wheel register



## Features and Benefits

The UMC® 740-U-AD™ gearbox features a 50:1 gear ratio, a 2.25" diameter output shaft, large input bearings, cartridge seals and enhanced gear material that allows for increased load capacity, reduced gear wear and lower operating temperatures.

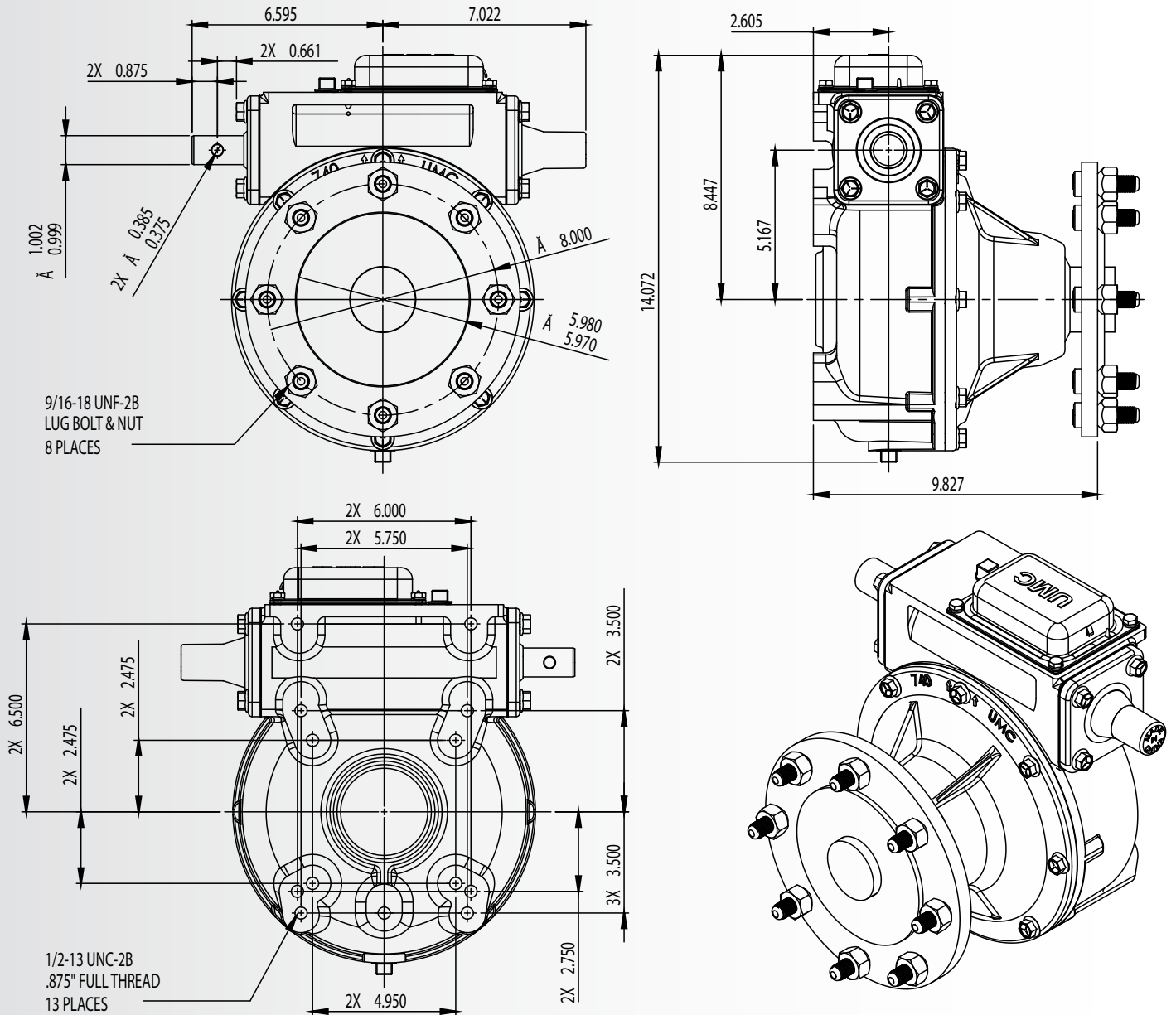
- ▶ 2.25" diameter steel output shaft
- ▶ 50:1 gear ratio
- ▶ Cartridge input and output seals
- ▶ Large input bearings
- ▶ Enhanced gear material that increases load capacity, reduces gear wear and lowers operating temperatures, extending gear life

[sales@umcproducts.com](mailto:sales@umcproducts.com)

# Universal Motion Components®

Dimensional Drawing

## 740-U-AD Final Drive Gearbox



Universal mounting bolt pattern fits most Lindsay, Reinke, and Lockwood systems.

[sales@umcproducts.com](mailto:sales@umcproducts.com)



Universal Motion Components Co., Inc.  
2920 Airway Ave, Costa Mesa, Ca. 92626  
Phone - 714-437-9600 Fax - 714-437-9700  
Web - <http://www.umcproducts.com>  
E-mail - [sales@umcproducts.com](mailto:sales@umcproducts.com)