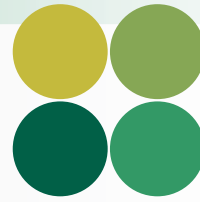


## Quality Irrigation Products



ISO 9001:2008  
CERTIFIED



# UMC®

[www.umcproducts.com](http://www.umcproducts.com)

2920 Airway Ave, Costa Mesa, Ca. 92626  
phone: 714.437.9600 fax: 714.437.9700

## Final Drive Gearbox



### 725-U Gearbox

#### Designed for longer spans

This gearbox is a step up from our Moderate Duty gearbox. It is designed for use on towers that support longer spans and/or larger diameter pipes in fields where wheel rutting is not an issue and soil is generally light. The larger diameter output shaft and larger output bearings enable this gearbox to handle more overhang load caused by heavier towers.

| Model Number | Ratio |
|--------------|-------|
| 725-U        | 50:1  |

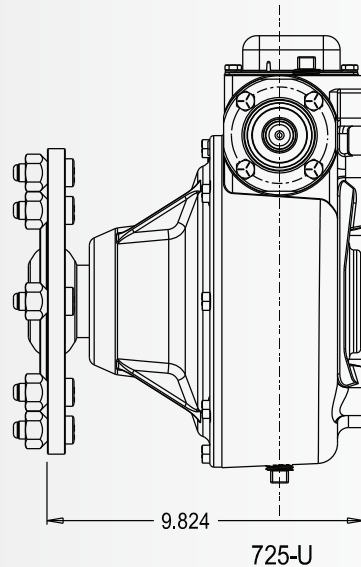
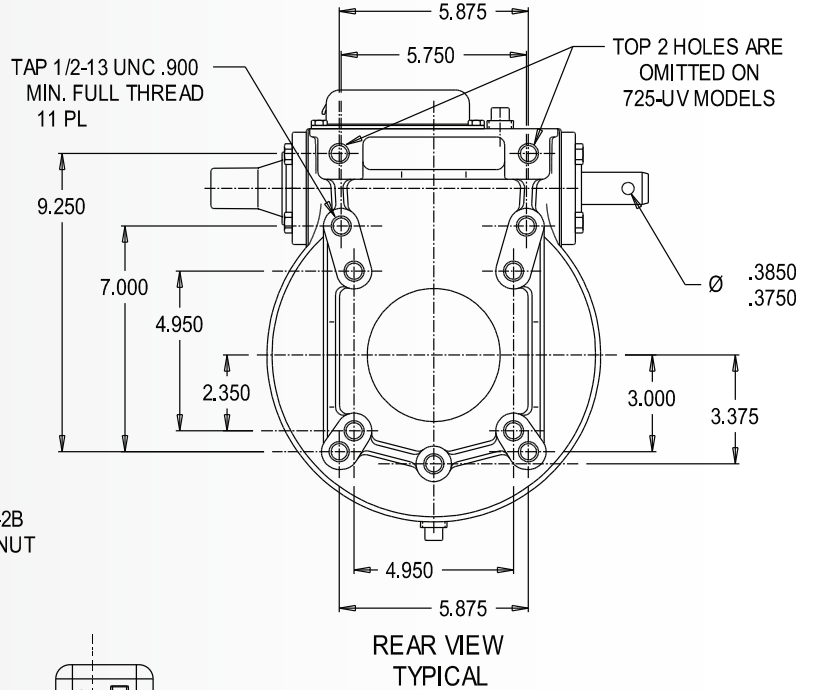
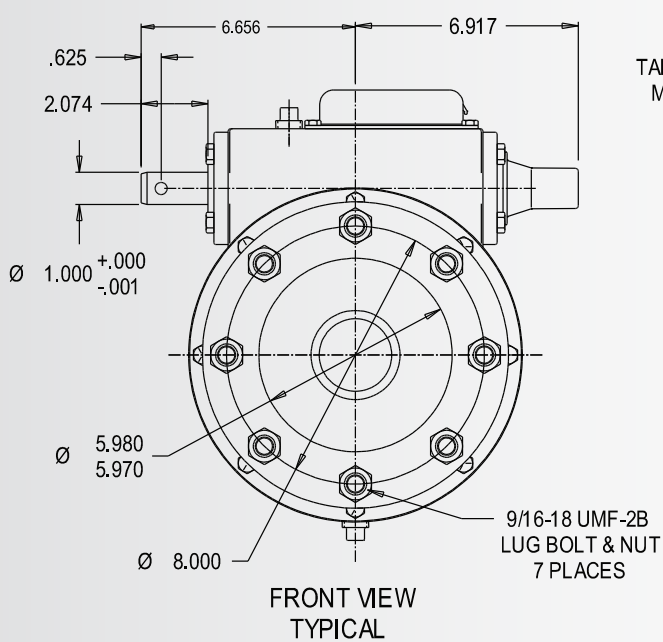
## Features and Benefits

The UMC® 725 final drive gearbox features a 2.25" output shaft and is designed for use on center pivots and lateral move/ linear irrigation systems.

- ▶ 2.25" output shaft
- ▶ 50:1 gear ratio
- ▶ Dual input seals and triple lip output seal
- ▶ Input shaft guard
- ▶ External seal protectors for input seals
- ▶ Top oil fill plug
- ▶ 11-Bolt mounting pattern
- ▶ Full cycle expansion chamber with stainless steel cover
- ▶ Filled with extreme pressure worm gear oil
- ▶ Steel output shaft and input shaft
- ▶ Tapered roller bearings
- ▶ Includes carriage bolts and nuts
- ▶ Dual ended input shaft

[sales@umcproducts.com](mailto:sales@umcproducts.com)

# Universal Motion Components®



[sales@umcproducts.com](mailto:sales@umcproducts.com)



[www.umcproducts.com](http://www.umcproducts.com)



Universal Motion Components, Co. Inc.  
 2920 Airway Ave, Costa Mesa, Ca. 92626  
 Phone - 714-437-9600 Fax - 714-437-9700  
 Web - <http://www.umcproducts.com>  
 E-mail - [sales@umcproducts.com](mailto:sales@umcproducts.com)