

## Quality Irrigation Products



ISO 9001:2008  
CERTIFIED



# UMC®

[www.umcproducts.com](http://www.umcproducts.com)

2920 Airway Ave, Costa Mesa, Ca. 92626  
phone: 714.437.9600 fax: 714.437.9700

## Driveline Couplers

### UMC Standard Coupler

Designed for use as a coupler between the gearmotor and final drive gearbox.

UMC's Standard Coupler is a shock-attenuating drive connection between the gearmotor and final drive gearbox. It has been the industry standard for many years on new systems from Original Equipment Manufacturers. It is available in a wide variety of sizes and configurations to fit any brand of center pivots and laterals.

Model Number	Description
CPL-M	1" rd. x 7/8" sq.
CPL-P	1" rd. x 3/4" sq.
CPL-J	1" rd. x 1" sq.
CPL-I	1 1/8" rd. x 1" sq.

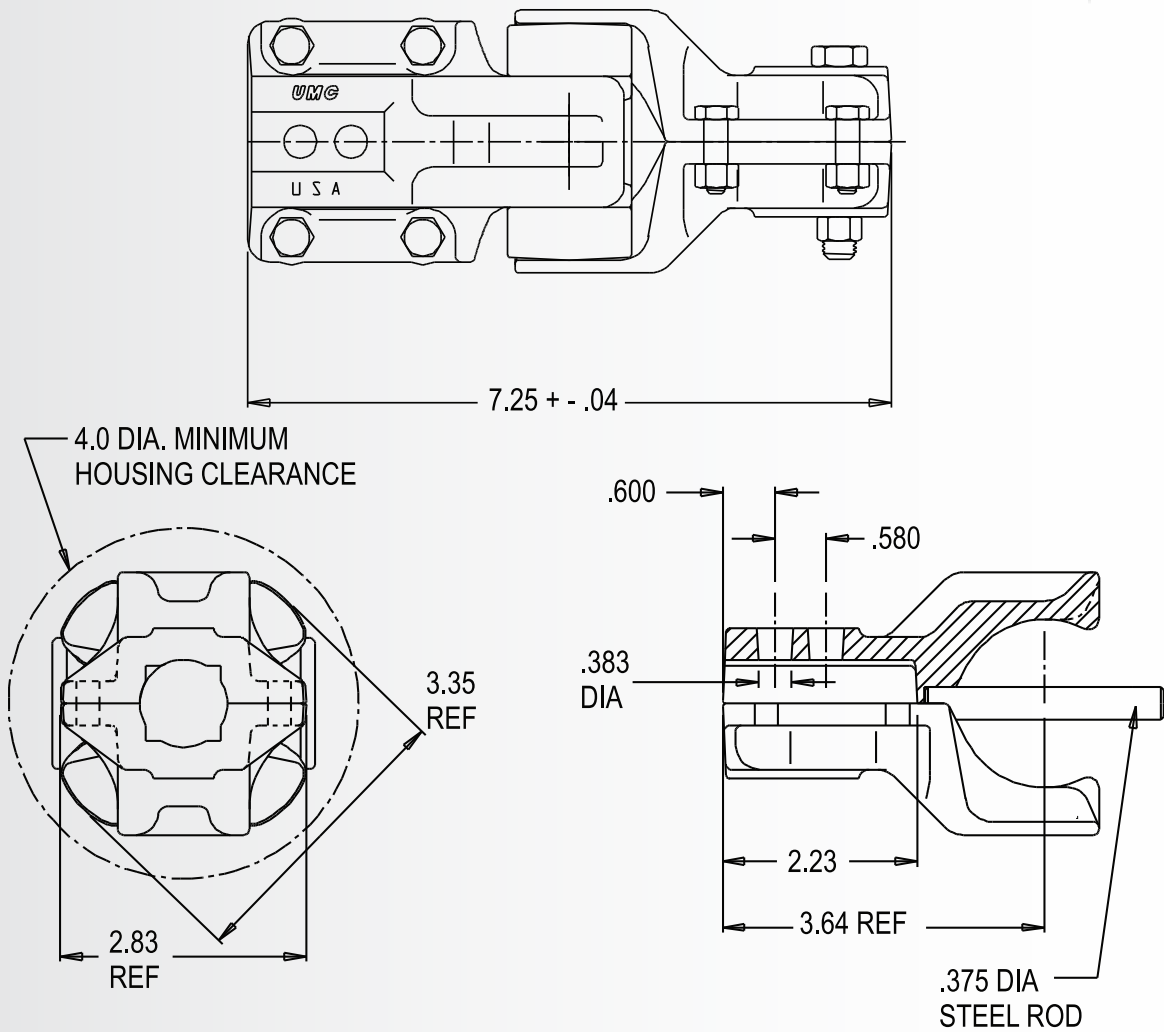


### Features and Benefits

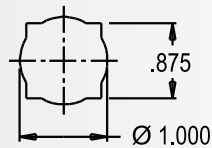
UMC's Standard Coupler features an alignment rod that helps keep concentric positioning under extreme loads. The added strength is ideal in heavy soils and on systems with larger-diameter tires.

- ▶ Proven service record of over 25 years
- ▶ Designed for extreme duty environments
- ▶ Ideal for high torque low speed conditions
- ▶ Alignment rod holds insert in place and coupler in alignment under extreme or sudden loads.
- ▶ Designed for use in extreme duty environments: heavy soils; Larger tire diameter; Higher torque motors; and stronger gearboxes.
- ▶ Designed to be the fusible link in the drive train to prevent failure in final drive gearbox or other hardware in problematic field conditions.
- ▶ Urethane insert offers an environmentally stable material with better resistance to UV rays and chemicals.
- ▶ Grooved insert option converts any coupler assembly for a towable application.
- ▶ UMC SQUEX-bolts (Square-Neck, Hex-Head) creates unique bolt anti-rotation feature that allows for faster single wrench assembly in Field.
- ▶ High torque conditions capture and compress insert lobes instead of shearing them.
- ▶ Shock attenuating puck insert allows for softer starts and stops.
- ▶ Ideal for high-torque, slow-speed conditions with severe back driving.
- ▶ Curved pressure pads compensate for out of line conditions.
- ▶ One year limited warranty.

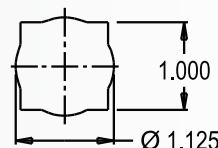
[sales@umcproducts.com](mailto:sales@umcproducts.com)



## Available shaft configurations



#1 A



#8 G

[sales@umcproducts.com](mailto:sales@umcproducts.com)



[www.umcproducts.com](http://www.umcproducts.com)



Universal Motion Components, Co. Inc.  
2920 Airway Ave, Costa Mesa, Ca. 92626  
Phone - 714-437-9600 Fax - 714-437-9700  
Web - <http://www.umcproducts.com>  
E-mail - [sales@umcproducts.com](mailto:sales@umcproducts.com)