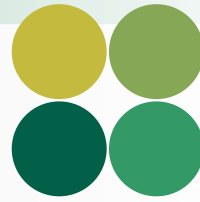


## Quality Irrigation Products



# UMC®



ISO 9001:2008  
CERTIFIED

[www.umcproducts.com](http://www.umcproducts.com)

2920 Airway Ave, Costa Mesa, Ca. 92626  
phone: 714.437.9600 fax: 714.437.9700



## CX Coupler

Designed for use as a universal preassembled coupler.

The UMC® CX Coupler is a shock-attenuating drive connection between the gearmotor and final drive gearbox. Its design reduces set up time for new center pivots and laterals. Similarly, it is the perfect compliment for towable systems due to the ability to control disengagement at the gearbox. From the service tech's perspective, it is a must-have solution because this one coupler fits all brands of center pivots and laterals.

Model Number	Description
CX-1	One Size Fits All

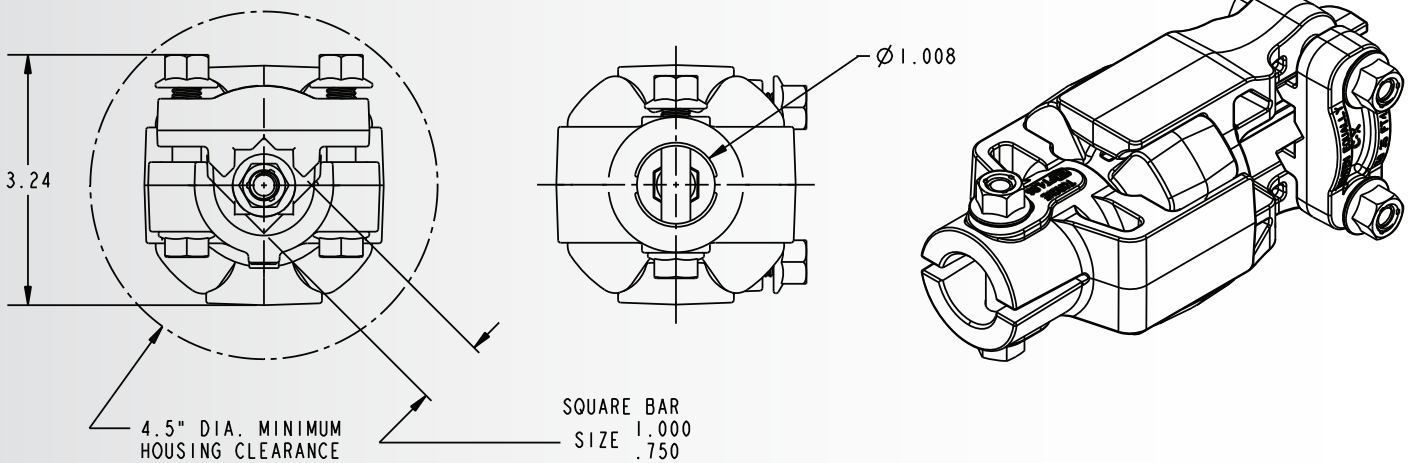
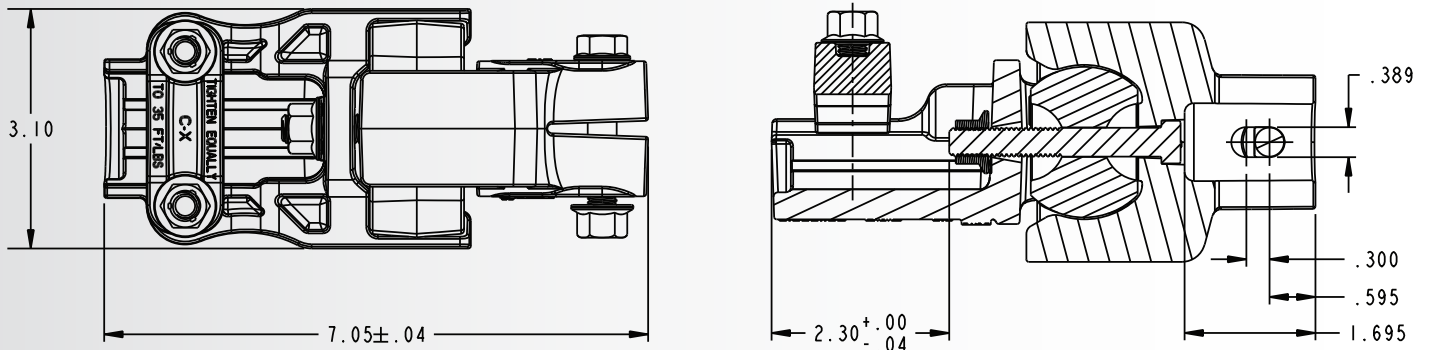
## Features and Benefits

Our patented, preassembled drive connection fits a 3/4", 7/8", and 1" drive shafts as well as metric sizes. It features three 3/8" SQUEX bolts for easy one wrench installation.

- ▶ Units come pre-assembled
- ▶ Saves time in the field
- ▶ Meets and exceeds the existing UMC coupler performance
- ▶ Designed to fit all shaft sizes - standard and metric
- ▶ UV stabilized Urethane puck
- ▶ Easily converts from Non-Towable to Towable
- ▶ Centering rod for maintaining alignment at peak torque
- ▶ UMC® SQUEX-Bolts (Square Neck - Hex Head) for easy one wrench installation

[sales@umcproducts.com](mailto:sales@umcproducts.com)

# Universal Motion Components®



**Universal Motion Components, Co. Inc.**  
 2920 Airway Ave, Costa Mesa, Ca. 92626  
 Phone - 714-437-9600 Fax - 714-437-9700  
 Web - <http://www.umcproducts.com>  
 E-mail - [sales@umcproducts.com](mailto:sales@umcproducts.com)