

Quality Irrigation Products



ISO 9001:2008
CERTIFIED



UMC®

www.umcproducts.com

2920 Airway Ave, Costa Mesa, Ca. 92626
phone: 714.437.9600 fax: 714.437.9700

Center Drive Gearbox

Center Drive (CD-1)

Designed for use with UMC's C-Face Motor

The UMC CD-1 Center Drive is meant to be a replacement for older systems equipped with worm gear center drives.

Model Number	Description
CD-1-30	58 RPM, 30:1 ratio
CD-1-40	43 RPM, 40:1 ratio
CD-1-50	35 RPM, 50:1 ratio
CD-1-60	29 RPM, 60:1 ratio

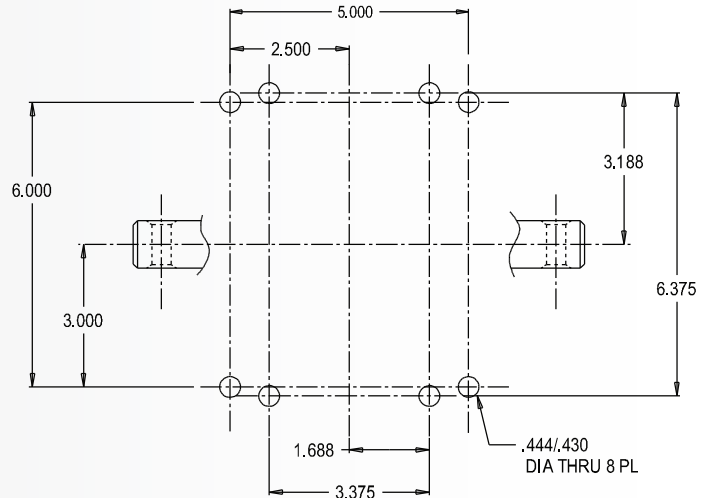
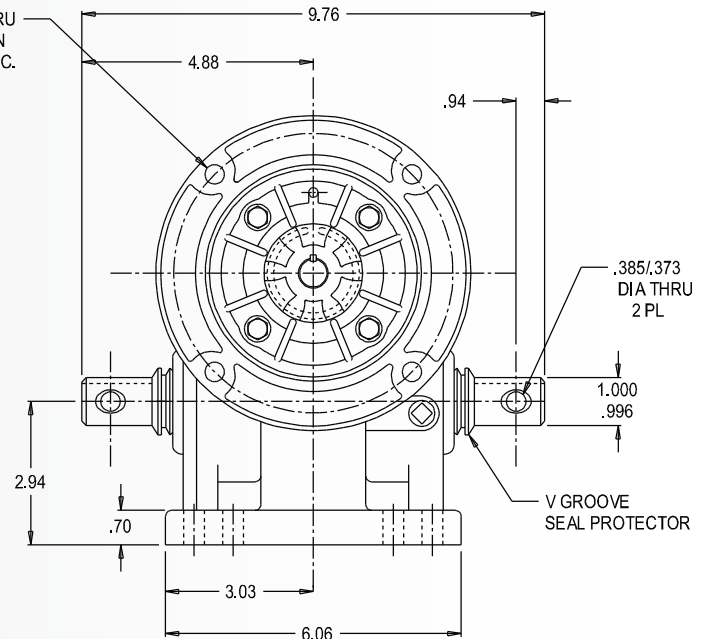
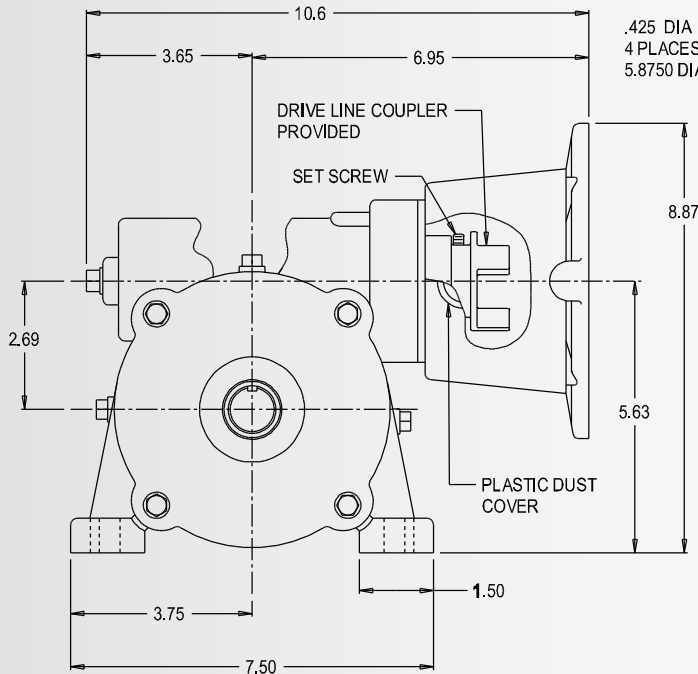


Features and Benefits

A speed reducing worm gearbox designed for use with a C-Face motor on center pivot and lateral move irrigation systems.

- ▶ Precision die cast tempered aluminum housing
- ▶ Ample oil fill, drain and level, threaded plug holes
- ▶ Includes easy to install shock absorbing motor to gear box coupler
- ▶ High strength aluminum bronze bull gear
- ▶ Accepts NEMA 56-C face motors with 5/8" shafts, 2" long with .19 key slots
- ▶ Includes special external crop guard seals
- ▶ Multiple mount plate bolt patterns: 5" x 6" and 3-3/8" x 6-3/8"
- ▶ Painted for added corrosion resistance.

sales@umcproducts.com



- NEMA 56-C Face Motor
- Accepts motors with 2" long shafts
- Supplied with 5/8" dia. motor coupler
- Both output shafts have 1/4" X 1-1/4" keyway

sales@umcproducts.com

