

## Quality Irrigation Products



ISO 9001:2008  
CERTIFIED



# UMC®

[www.umcproducts.com](http://www.umcproducts.com)

2920 Airway Ave, Costa Mesa, Ca. 92626  
phone: 714.437.9600 fax: 714.437.9700

## 460 Volt - Electric Motor



### C-Face Motor

**Designed for use with UMC's CD-1 Center Drive**

The UMC C-Face Motor is meant to be a replacement motor for older systems equipped with worm gear center drives.

Model Number	Description
56-C	Face Motor

### Features and Benefits

UMC's C-Face Motor is a 3 phase electric motor designed to be used with a Center Drive gearboxes for power transmission on center pivot and lateral move irrigation systems.

- ▶ Aluminum finned stator housing for cooler running temperature
- ▶ Voltage: 460V 60 Hz, 380V 50 Hz
- ▶ Thermally protected with automatic reset located in easily accessible junction box
- ▶ All critical electrical connections use P.D. caps to encapsulate and to protect from moisture
- ▶ Class H wire and Class F insulation
- ▶ TFE tubing on all magnetic wire to motor lead connections

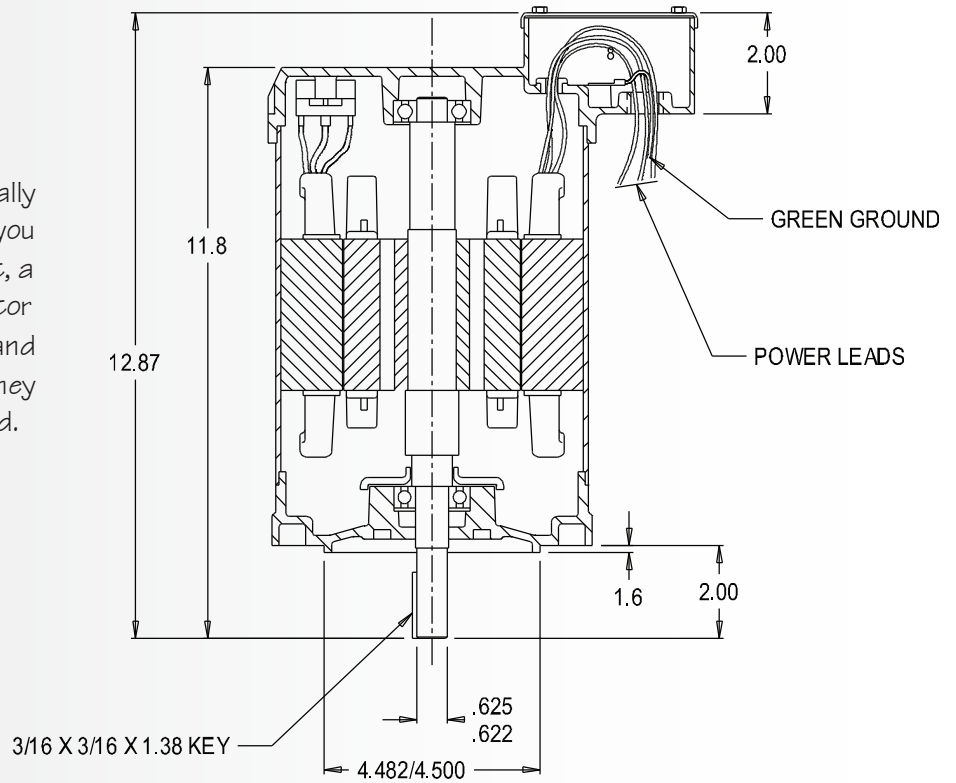
- ▶ Makes possible the use of smaller generators and smaller incoming wire sizes
- ▶ C.S.A., CCC, CE, and UL certified
- ▶ High torque performance
- ▶ Specially designed to NEC and NEMA specs for rugged irrigation duty
- ▶ Minimal AMP draw: full load current at rated voltage, 2.3 AMPS.
- ▶ .625 shaft diameter with key and standard NEMA 56-C face bolt pattern.
- ▶ Internal fin cooled.
- ▶ Heavy duty bearings.
- ▶ One year limited warranty.
- ▶ Each motor hi-pot tested.

[sales@umcproducts.com](mailto:sales@umcproducts.com)

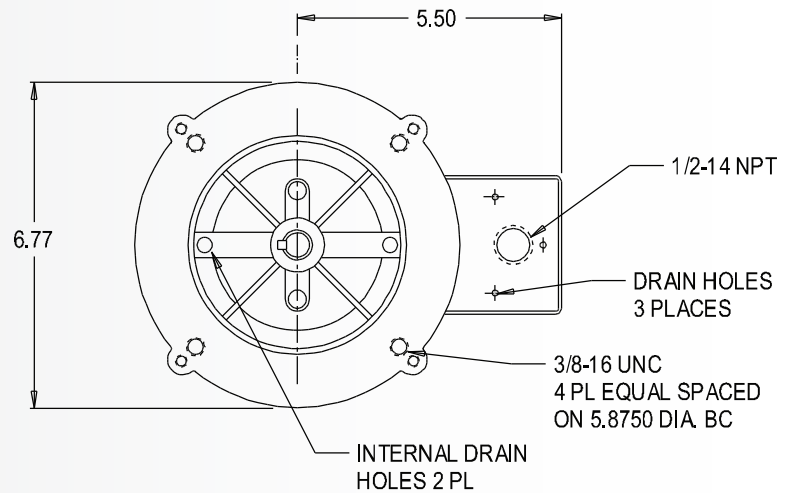
# Universal Motion Components®



This motor series has been specifically engineered to give you all the power you need, when you need it. The result, a highly efficient, state of the art motor with maximum usable horse power and minimal power used. This is why they are becoming the industry standard.



1 1/2 H.P. Irrigation Duty Motor	
NEMA Frame	56C
Rate H.P.	1 1/2
PH	3
Hz	50/60
VAC	380/460
R.P.M.	1725
Fla.	2.2
Ser. Fac.	1.0
Duty	Cont.
Inslu. Class	F



[sales@umcproducts.com](mailto:sales@umcproducts.com)



[www.umcproducts.com](http://www.umcproducts.com)



Universal Motion Components, Co. Inc.  
 2920 Airway Ave, Costa Mesa, Ca. 92626  
 Phone - 714-437-9600 Fax - 714-437-9700  
 Web - <http://www.umcproducts.com>  
 E-mail - [sales@umcproducts.com](mailto:sales@umcproducts.com)