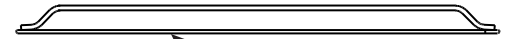
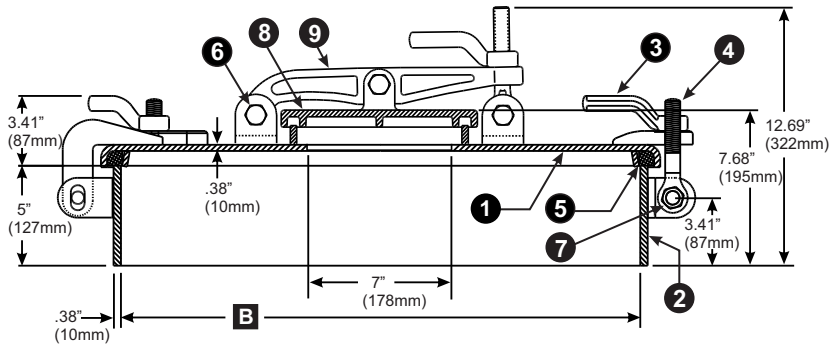


BILL OF MATERIAL: UMC-464/144

PC.NO.	DESCRIPTION	MATERIAL
1	COVER	STEEL
2	COAMING	STEEL
3	DOG HANDLE	STEEL
4	TUMBLE BOLT	BRASS
5	GASKET	NITRILE RUBBER
6	BOLT 5/8-11	ZINC PLATED STEEL
7	NUT 5/8-11	STAINLESS STEEL
8	ULLAGE COVER	STEEL
9	ULLAGE ARM	STEEL



OPTIONAL FLAME SCREEN
FOR 18" X 24" MODELS



BAIER Marine Company, Inc.
 1-800-455-3917
 206-632-2441 (FAX)
 sales@baiermarine.com

UNIVERSAL RAISED HATCH
 MUTI-DOG RAISED HATCH
 18"X24" ROUGH OPENING W/ 8" ULLAGE
 MODEL 03800-135K - UMC-464-5/144

Model Number	Part Number	DIMENSIONS INCHES (MM)		# OF DOGS	Weight LBS (KGS)
		A	B		
UMC-464-5/144	03800-135K	18.31" (465)	24.25" (616)	5 DOG	126 (57)

DWG. NO. UMC-174/144