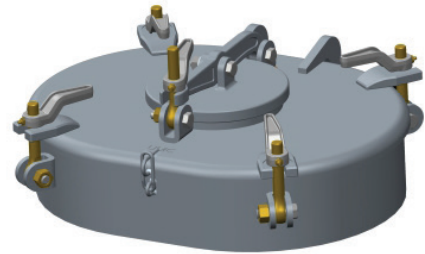


UMC-464-144-5 BAIER - Multi-Dog Combo Hatch: Oval - 4 Dog w/ Ullage

Multi-Dog Raised hatches are a strong and secure working enclosure system. The added Ullage hatch is likewise a strong and secure method of enclosing a tank compartment while still providing easy single-bolt operation for inspection or measuring of cargo.

Features:

- Low cost - high strength cast steel construction
- Cast Steel and Stainless Steel Dog handles (grease zerks optional)
- Bronze tumble bolts for corrosion resistance and trouble free operation
- Bolts and nuts made from dissimilar metals to prevent galling and corrosion



Model Number	Description	Part Number	Clear Opening In. (mm)	Cutout Dimension in. (mm)	Autocad PDF/DXF
UMC-464-5 /144	Raised 4 Dog 18x24 Watertight Hatch + 8" Ullage & Hasp	03800-130J	18 x 24 (457 x 609) - Ullage: 7 (178)		



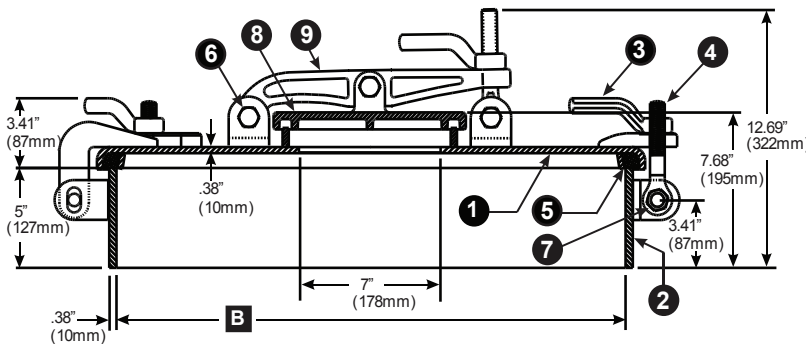
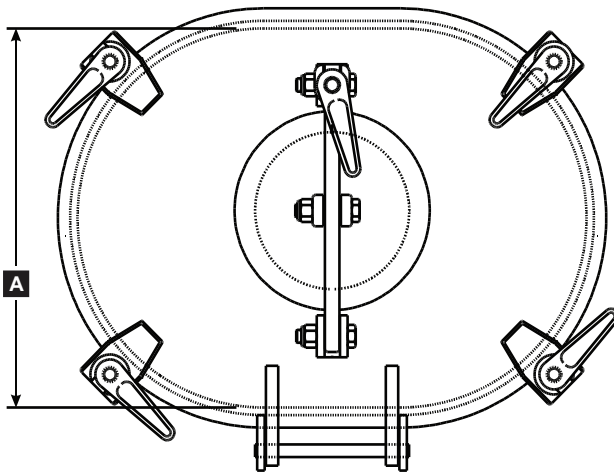
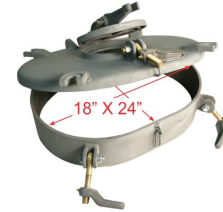
UMC-464-5 Steel Hatch 4-Dog with 8" Ullage Inspection

HATCH MATERIAL:

Steel (ASTM A36)
Painted Primer Grey

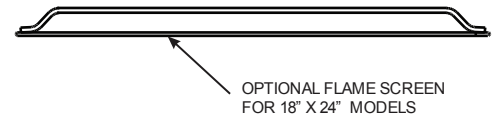
HARDWARE:

Tumble Bolt - Bronze
Dog Handle - Steel
Ullage Arm - Steel
Bolt 5/8-11 - Zinc Plated Steel
Nut 5/8-11 - Stainless Steel
Washer - Stainless Steel
Gasket - Nitrile Rubber



BILL OF MATERIAL: UMC-464/144

PC. NO.	DESCRIPTION	MATERIAL
1	COVER	STEEL
2	COAMING	STEEL
3	DOG HANDLE	STEEL
4	TUMBLE BOLT	BRASS
5	GASKET	NITRILE RUBBER
6	BOLT 5/8-11	ZINC PLATED STEEL
7	NUT 5/8-11	STAINLESS STEEL
8	ULLAGE COVER	STEEL
9	ULLAGE ARM	STEEL



BAIER Marine Company, Inc.
 1-800-455-3917
 206-632-2441 (FAX)
 sales@baiermarine.com

UNIVERSAL RAISED HATCH
 MUTI-DOG RAISED HATCH
 18\"/>

Model Number	Part Number	DIMENSIONS INCHES (MM)		# OF DOGS	Weight LBS (KGS)
		A	B		
UMC-464-5/144	03800-135K	18.31" (465)	24.25" (616)	5 DOG	126 (57)

DWG. NO. UMC-174/144