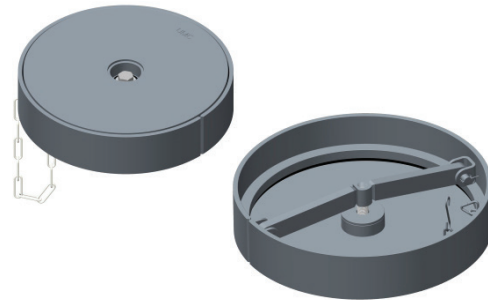


UMC-301 BAIER - Single Bolt Style: Round - 20" & 22"

This industry standard steel enclosure is also based on the proven strongback style hatch and is operated by a single 7/8" Stainless steel bolt. The simple design provides a secured hatch and flush deck profile.

Features:

- Made from high strength 3/8" steel for better impact resistance
- 1-5/16" wrench required for single bolt secure engagement
- Stainless steel bolt and steel strongback provide dissimilar metals to prevent galling and ensure trouble free operation
- Nitrile rubber gaskets ensure Water tight design
- Stainless steel chain ensures covers stay attached and never get lost



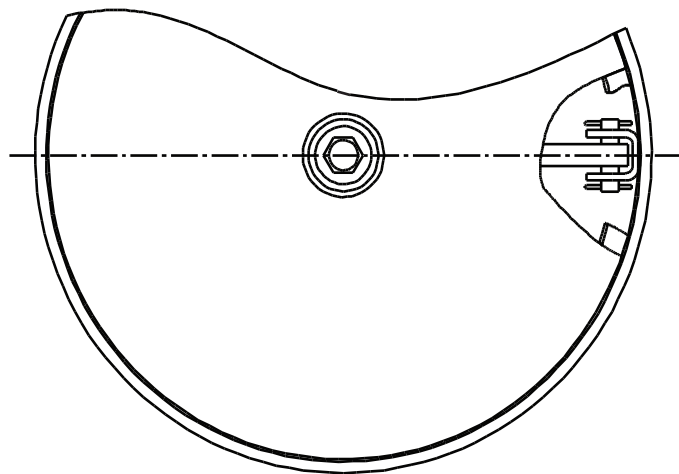
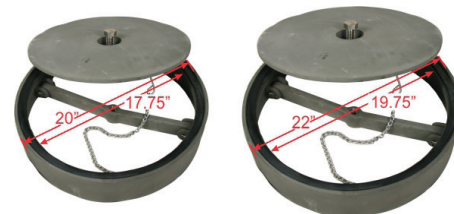
Model Number	Description	Part Number	Clear Opening In. (mm)	Cutout Dimension in. (mm)	Autocad PDF/ DXF
UMC-540-1775	Raised 20" Round Single Bolt Watertight Hatch	08380-101A	17.75 (451)	20 (508)	
UMC-540-1975	Raised 22" Round Single Bolt Watertight Hatch	08381-101a	19.75 (502)	22 (559)	



UMC-301-20 Steel Hatch with Stainless Steel Hardware

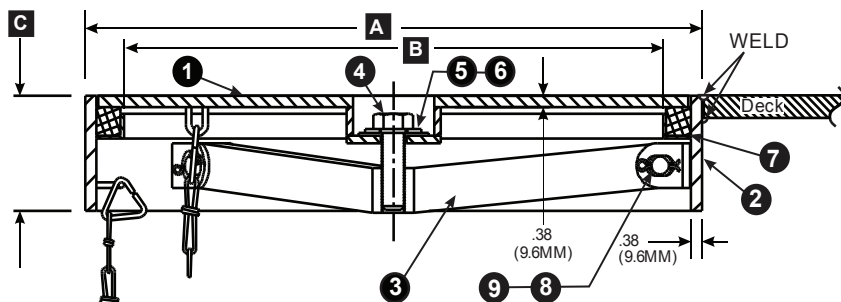
HATCH MATERIAL:
Steel (ASTM A36)
Painted Primer Grey

HARDWARE:
Bolt 7/8-9 - Stainless Steel
Chain - Stainless Steel
Hinge Pin - Stainless Steel
Cotter Pin - Stainless Steel
Washer - Brass
Bolt Gasket - Nitrile Rubber



BILL OF MATERIAL: UMC-301

PC.NO.	DESCRIPTION	MATERIAL
1	COVER	STEEL
2	COAMING	STEEL
3	STRONGBACK	STEEL
4	BOLT 7/8-9	STAINLESS STEEL
5	WASHER	BRASS
6	BOLT GASKET	NITRILE RUBBER
7	GASKET	NITRILE RUBBER
8	PIN	STEEL
9	COTTER PIN	STAINLESS



Model Number	Part Number	DIMENSIONS INCHES (MM)			Weight LBS (KGS)
		A	B	C	
UMC-301-20	08380-101A	20 (508)	17.75 (450)	4 (102)	70 (32)
UMC-301-22	08381-101A	22 (559)	19.75 (502)	4 (102)	75 (34)

BAIER Marine Company, Inc.
 1-800-455-3917
 206-632-2441 (FAX)
 sales@baiermarine.com

UNIVERSAL FLUSH HATCH

SINGLE BOLT ROUND MANHOLE
 20" & 22" OUTSIDE DIAMETER
 MODEL 08380-101A - UMC-301-20
 MODEL 08381-101A - UMC-301-22

DWG. NO. UMC-301