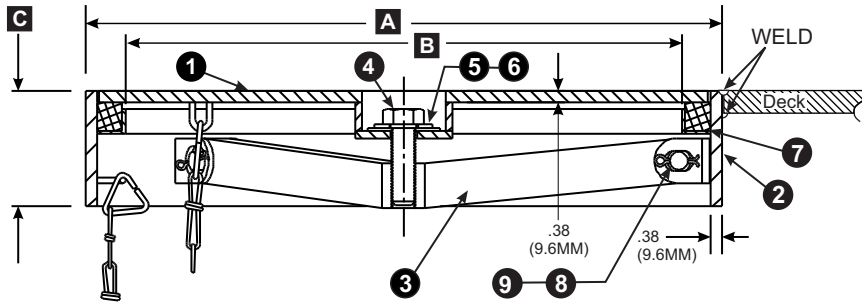


BILL OF MATERIAL: UMC-301

PC.NO.	DESCRIPTION	MATERIAL
1	COVER	STEEL
2	COAMING	STEEL
3	STRONGBACK	STEEL
4	BOLT 7/8-9	STAINLESS STEEL
5	WASHER	BRASS
6	BOLT GASKET	NITRILE RUBBER
7	GASKET	NITRILE RUBBER
8	PIN	STEEL
9	COTTER PIN	STAINLESS



BAIER Marine Company, Inc.
 1-800-455-3917
 206-632-2441 (FAX)
 sales@baiermarine.com

UNIVERSAL FLUSH HATCH

SINGLE BOLT ROUND MANHOLE
 20" & 22" OUTSIDE DIAMETER
 MODEL 08380-101A - UMC-301-20
 MODEL 08381-101A - UMC-301-22

DWG. NO. UMC-301

Model Number	Part Number	DIMENSIONS INCHES (MM)			Weight LBS (KGS)
		A	B	C	
UMC-301-20	08380-101A	20 (508)	17.75 (450)	4 (102)	70 (32)
UMC-301-22	08381-101A	22 (559)	19.75 (502)	4 (102)	75 (34)