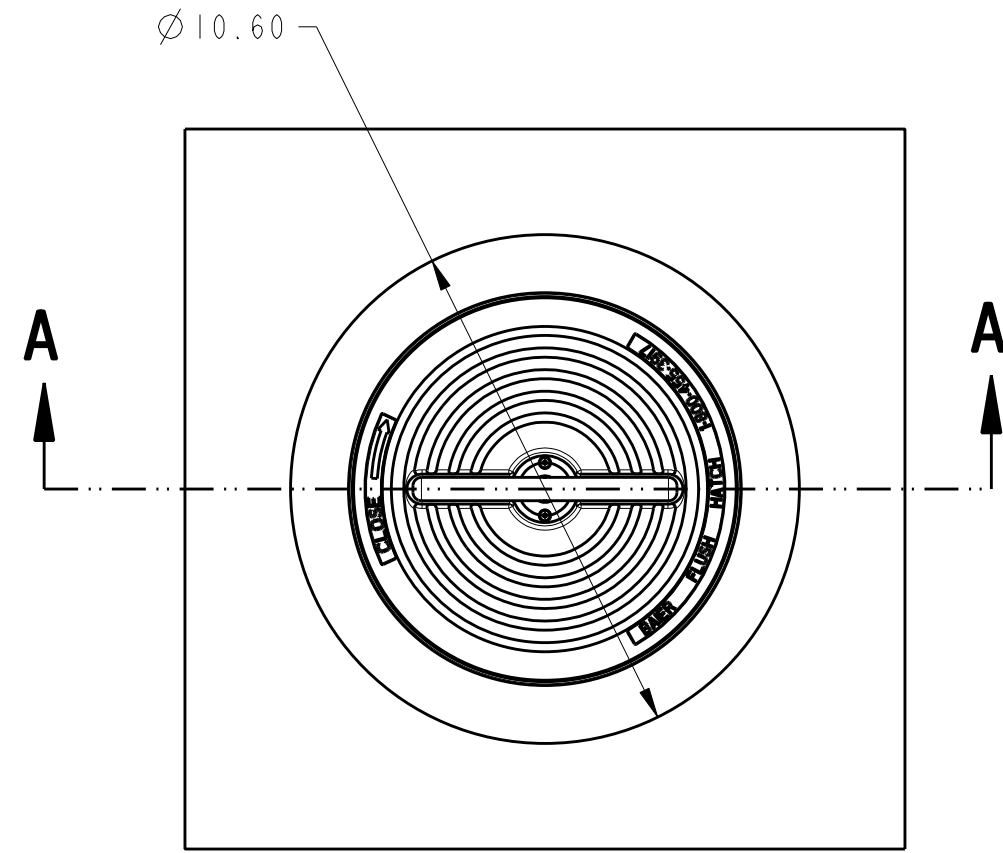
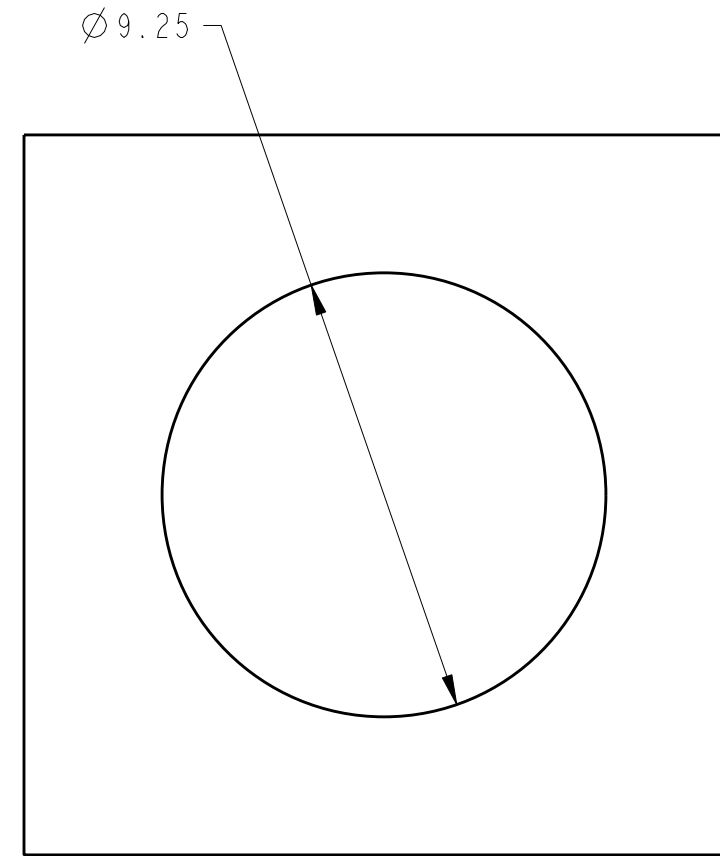


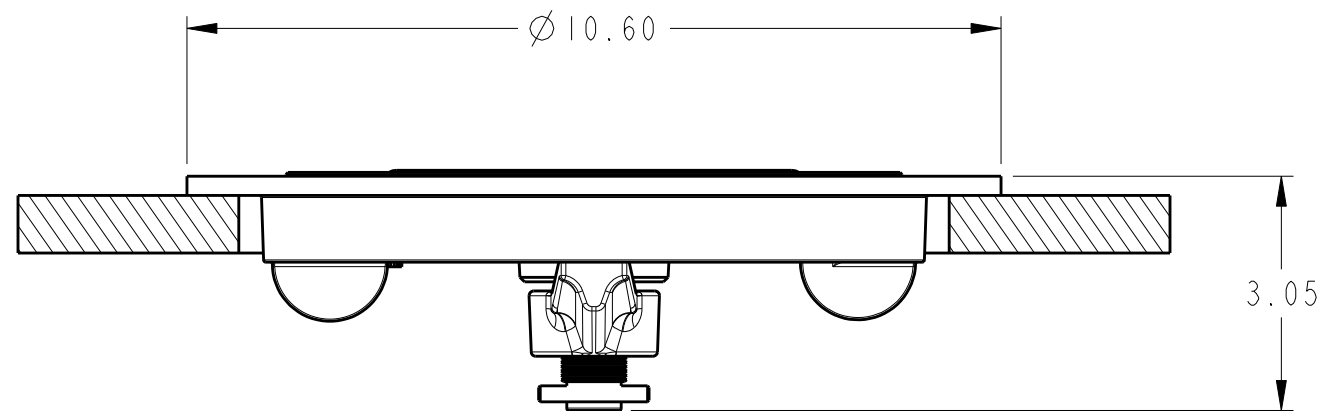
REVISIONS					
REV	ECN	ECR-TN	DESCRIPTION	DATE	APR
A	16-00209	N/A	INITIAL RELEASE	08/19/16	RCL



TOP VIEW
SCALE 1:4



CUTOUT DIMENSION VIEW
SCALE 1:4



SECTION **A-A**
SCALE 2:5

THE INFORMATION CONTAIN IN THIS DOCUMENT IS PROPRIETARY AND SHALL NOT BE REPRODUCED OR USED FOR ANY PURPOSE WITHOUT THE WRITTEN APPROVAL OF BAIER MARINE CO., INC.

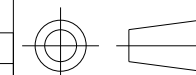


2920 Airway Ave., Costa Mesa, CA 92626

TITLE COVER ASSY, 24X24
LP-QA, ALUM-STL

PRO/E
THIRD ANGLE PROJECTION

UMC P/N REF
08863-110B



DWN	BAE	DT	01/06/16
CK		DT	
APR		DT	

SIZE B	DWG NO. BFHRT8A-S	REV A
SCALE 2:5 AND NOTED		SHEET 1 OF 1