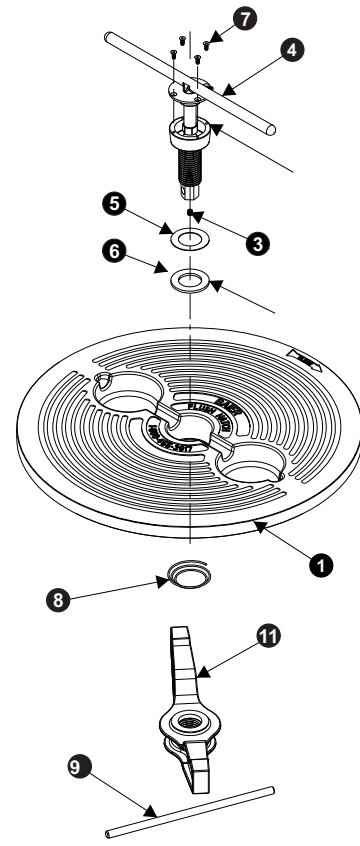
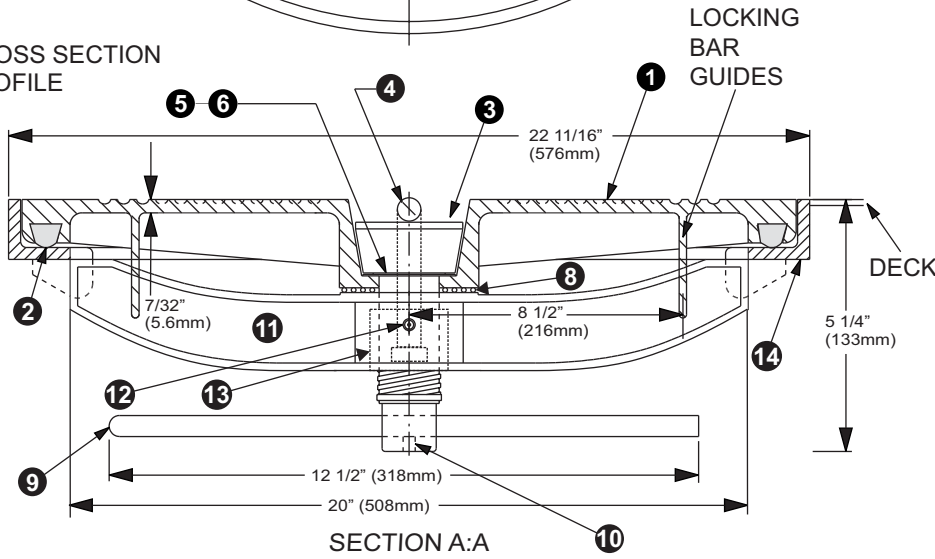


**BILL OF MATERIAL: 08861-131**

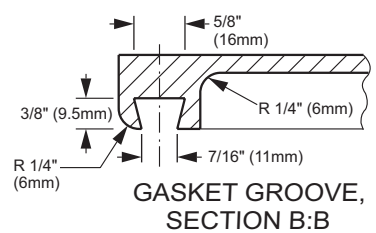
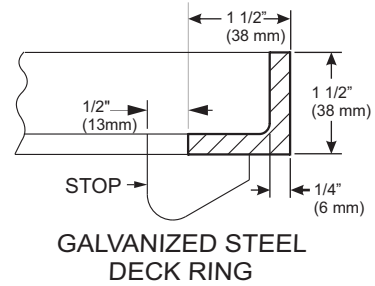
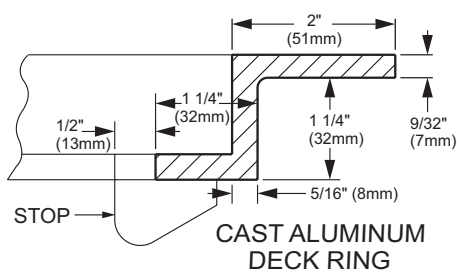
#	DESCRIPTION	MAT	P/N
Cover Kit (parts & kits below AL)			08861-132A
1	COVER	AL	08861-133A
2	GASKET	NEO	08861-702A
Centerbolt Kit (parts below)			UP-CB-THNDL-SS
3	BOLT (1 1/2" Ø)	SS	08861-214A
4	T-HANDLE KIT	SS	08862-117A
5	WASHER	SS	08861-206A
6	WASHER	NEO	08861-701A
7	(4) SCREW 10-24x.5	SS	08861-801A
8	SPRING	SS	08861-805A
9	ROD (1/2" Ø)	ST	08862-205A
10	ALLEN SET SCREW	SS	06122-801B
Strongback Kit (parts below AL)			BSB20TH-A
11	STRONGBACK	AL	08861-138A
12	LUBE ZERK	ZNST	08790-803A
13	THREADED INSERT	BR	08861-209B
14	DECK RING AL	AL	08861-233A
14	DECK RING ST	ST	08861-297A
14	DECK RING SS	SS	08861-297C
14	DECK RING BLACK	SB	08861-297B

MATERIAL KEY	
SS - STAINLESS STEEL	ZNST - ZINC PLATED ST
AL - ALUMINUM	BR - BRONZE
ST - GALV. STEEL	NEO - NEOPRENE
SB - BLACK STEEL	

**CROSS SECTION PROFILE**



**T-HANDLE STRONGBACK**



IMPORTANT: WHEN ORDERING, PLEASE SPECIFY OUTSIDE DIAMETER (C) OR CLEAR OPENING (D). UNITS ARE IDENTIFIED BY CLEAR OPENING.

HATCH WEIGHTS LBS. (KGMS)		
Model Number	BFHRTH20	
Material	AL	ST
Cover	30 (13.6)	N/A
Deck Ring	11 (5)	11 (5)

**BAIER** Marine Company, Inc.  
 1-800-455-3917  
 206-632-2441 (FAX)  
 sales@baiermarine.com

**BAIER FLUSH HATCH**  
 LIFT-OUT PLAIN DOGGED TYPE  
 WITH BUILT-IN T-HANDLE  
 TYPE "C" POSITIVE LOCKING  
**MODEL BFHRTH20**