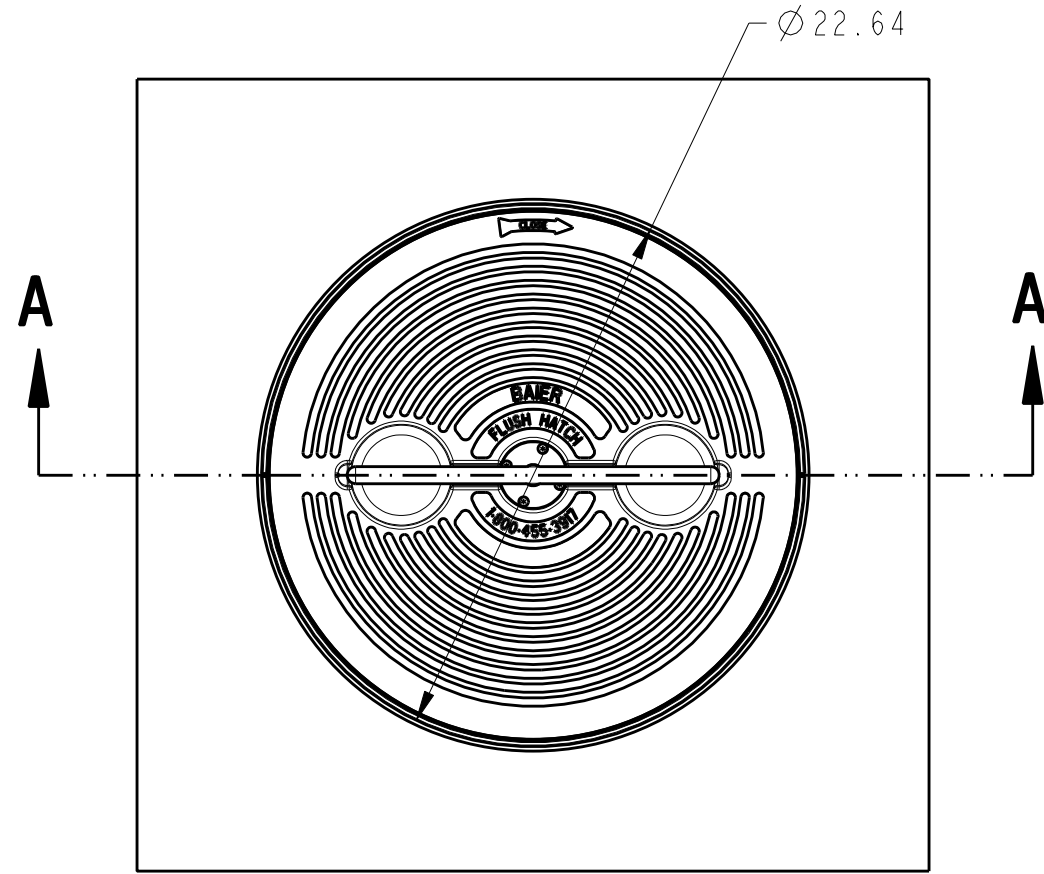
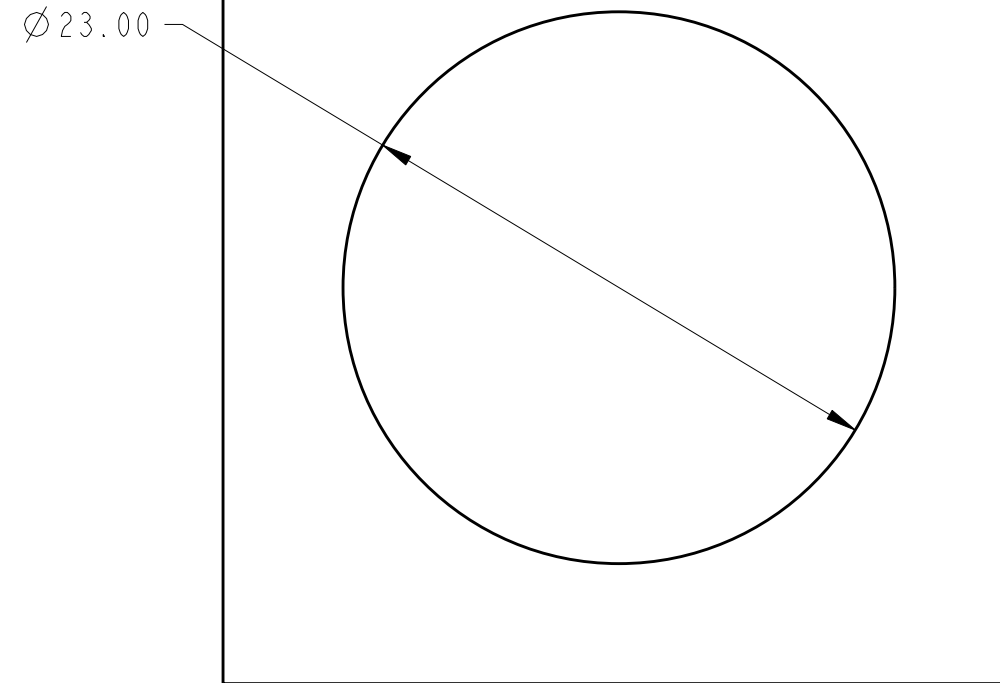


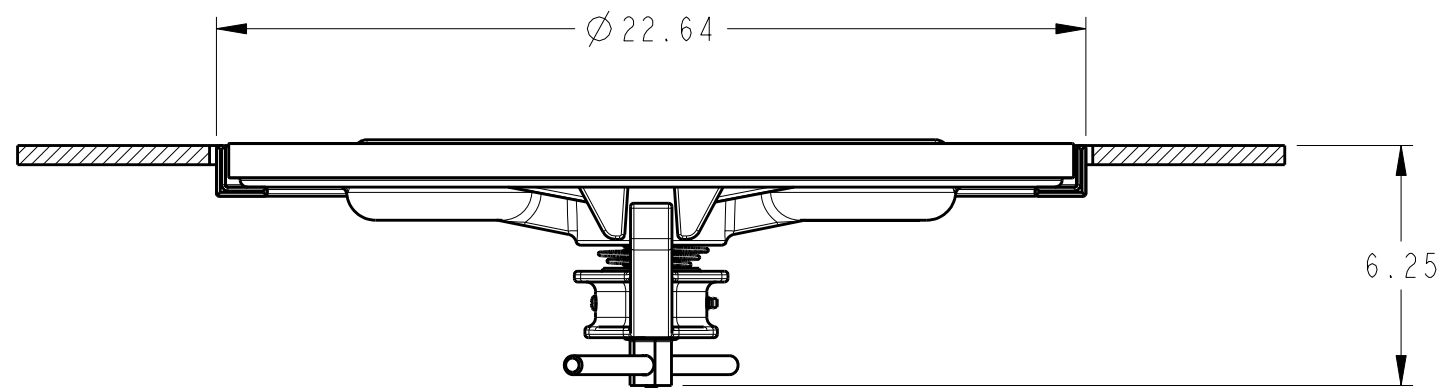
REVISIONS					
REV	ECN	ECR-TN	DESCRIPTION	DATE	APR
A	16-00209	N/A	INITIAL RELEASE	08/19/16	RCL



TOP VIEW  
SCALE 1:8



CUTOUT DIMENSION VIEW  
SCALE 1:8



SECTION A-A  
SCALE 1:5

THE INFORMATION CONTAIN IN THIS DOCUMENT IS PROPRIETARY AND SHALL NOT BE REPRODUCED OR USED FOR ANY PURPOSE WITHOUT THE WRITTEN APPROVAL OF BAIER MARINE CO., INC.

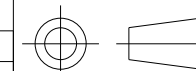


2920 Airway Ave., Costa Mesa, CA 92626

TITLE HATCH ASSY, 20" RND T-HANDLE, AL-SS

PRO/E  
THIRD ANGLE PROJECTION

UMC P/N REF  
08861-131C



DWN	BAE	DT	02/15/16
CK		DT	
APR		DT	

SIZE B	DWG NO. BFHRTH20A-SS	REV A
SCALE 1:4 AND NOTED		SHEET 1 OF 3

8

7

6

5

4

3

2

1

REVISIONS					
REV	ECN	ECR-TN	DESCRIPTION	DATE	APR
A	16-00209	N/A	SEE SHEET 1	08/19/16	RCL

D

D

C

C

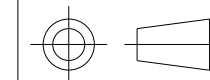
B

B

A

A

THIRD ANGLE PROJECTION



BAIER MARINE Co., Inc. 2920 Airway Ave., Costa Mesa, CA 92626		DWN	DWG NO. BFHRT20A-SS	REV A
DT	SCALE 1:4	SHEET	2 OF 3	

8

7

6

5

4

3

2

1

8

7

6

5

4

3

2

1

REVISIONS					
REV	ECN	ECR-TN	DESCRIPTION	DATE	APR
A	16-00209	N/A	SEE SHEET 1	08/19/16	RCL

D

D

C

C

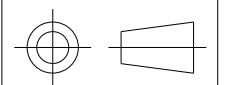
B

B

A

A

THIRD ANGLE PROJECTION



BAIER MARINE Co., Inc. 2920 Airway Ave., Costa Mesa, CA 92626		DWN DT	DWG NO. SCALE	BFHRT20A-SS 1:4	REV SHEET	A 3 OF 3
--	--	-----------	------------------	--------------------	--------------	-------------

8

7

6

5

4

3

2

1