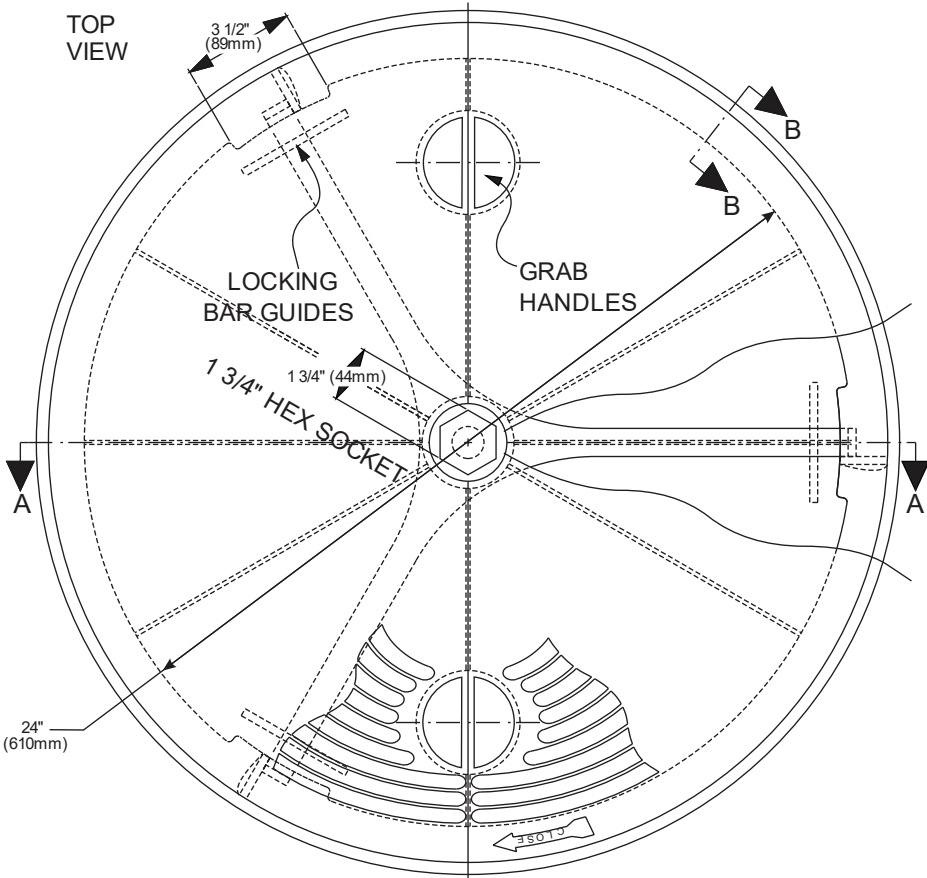


BILL OF MATERIAL: 08861-181

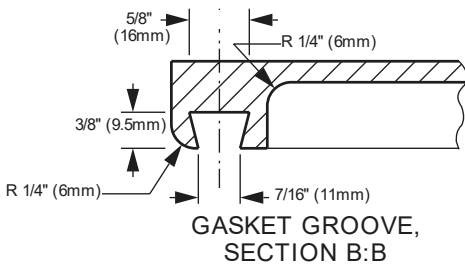
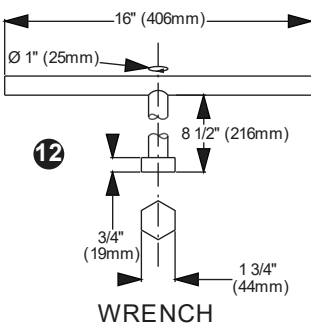
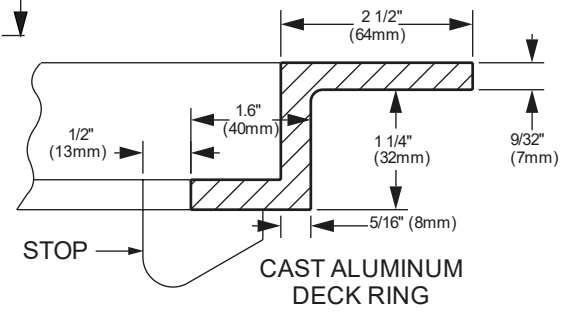
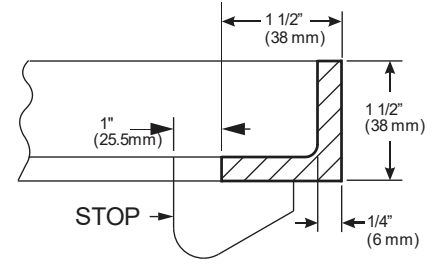
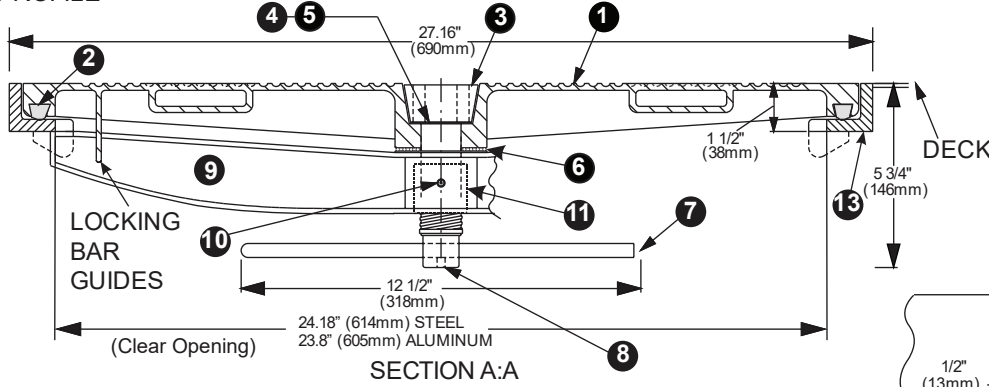
#	DESCRIPTION	MAT	P/N
Cover Kit (parts & kits below AL,ST) BFHR24,S			
1	COVER	AL,ST	08861-183A,B
2	GASKET	BUNA	08861-704A
Centerbolt Kit (parts below)			
3	BOLT (1 1/2" Ø)	SS	08861-204A
4	WASHER	SS	08861-205A
5	WASHER	BUNA	08861-701A
6	SPRING	SS	08861-805A
7	ROD (1/2" Ø)	ST	08862-205A
8	ALLEN SET SCREW	SS	06122-801B
Strongback Kit (parts below AL,ST) BSB24			
9	STRONGBACK	AL,ST	08861-185A,B
10	LUBE ZERK	ZNST	08790-803A
11	THREADED INSERT	BR	08861-209B
12	WRENCH	GALV	UP-WRNCH-HEX-ST
13	DECK RING AL	AL	08861-283A
13	DECK RING ST	ST	08861-287A
13	DECK RING SS	SS	08861-287C
13	DECK RING BLACK	SB	08861-287B

MATERIAL KEY

AL - ALUMINUM	SS - STAINLESS STEEL
ST - GALV. STEEL	ZNST - ZINC PLATED ST
SB - BLACK STEEL	BR - BRONZE
	BUNA - NITRILE RUBBER



CROSS SECTION PROFILE



HATCH WEIGHTS LBS.(KGS)

Model Number	BFHR24
Material	AL ST
Cover	40.5 (18.4) 124 (56)
Deck Ring	15 (6.8) 25.3 (11.5)

IMPORTANT:
WHEN ORDERING, PLEASE SPECIFY OUTSIDE DIAMETER (C) OR CLEAR OPENING (D).
UNITS ARE IDENTIFIED BY CLEAR OPENING.

BAIER Marine Company, Inc.
1-800-455-3917
206-632-2441 (FAX)
sales@baiermarine.com

BAIER FLUSH HATCH
LIFT-OUT PLAIN DOGGED TYPE
WITH GRAB HANDLES
TYPE "C" POSITIVE LOCKING
MODEL: BFHR24
DWG. NO. 630