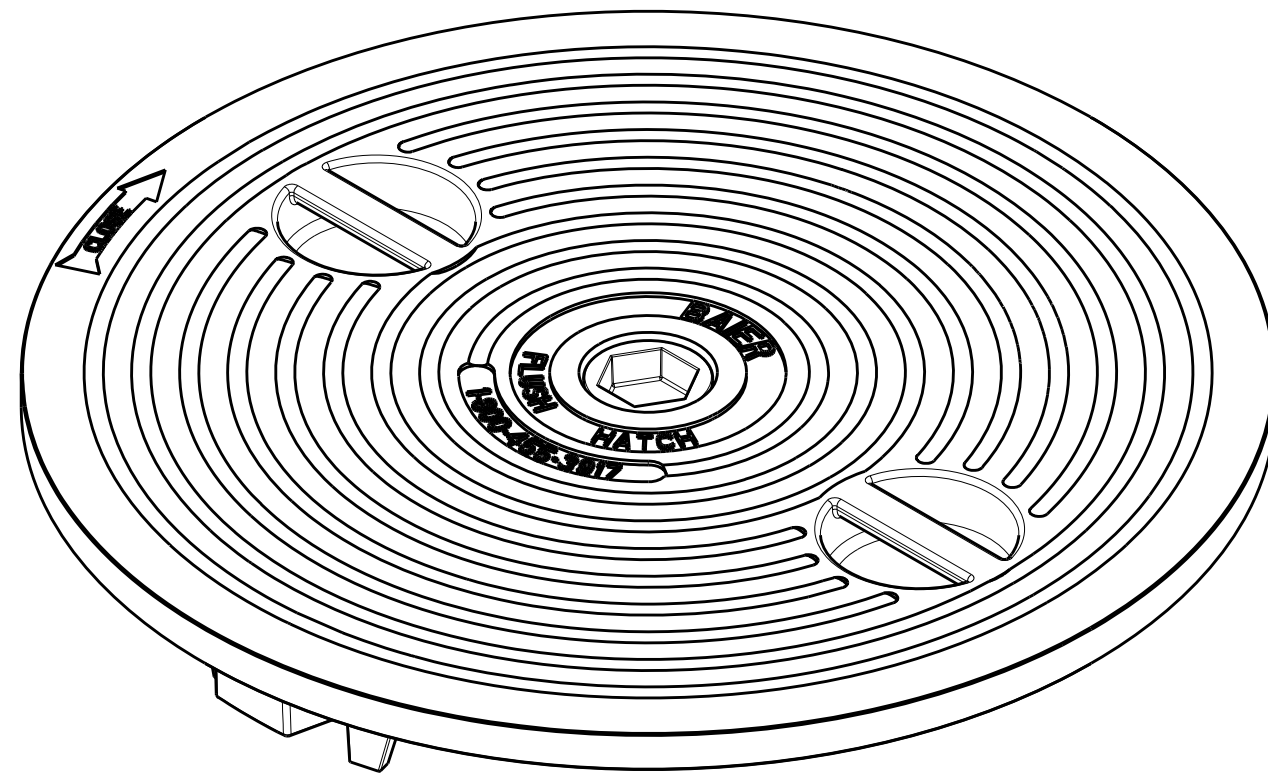


REVISIONS					
REV	ECN	ECR-TN	DESCRIPTION	DATE	APR
A	16-00209	N/A	INITIAL RELEASE	08/19/16	RCL

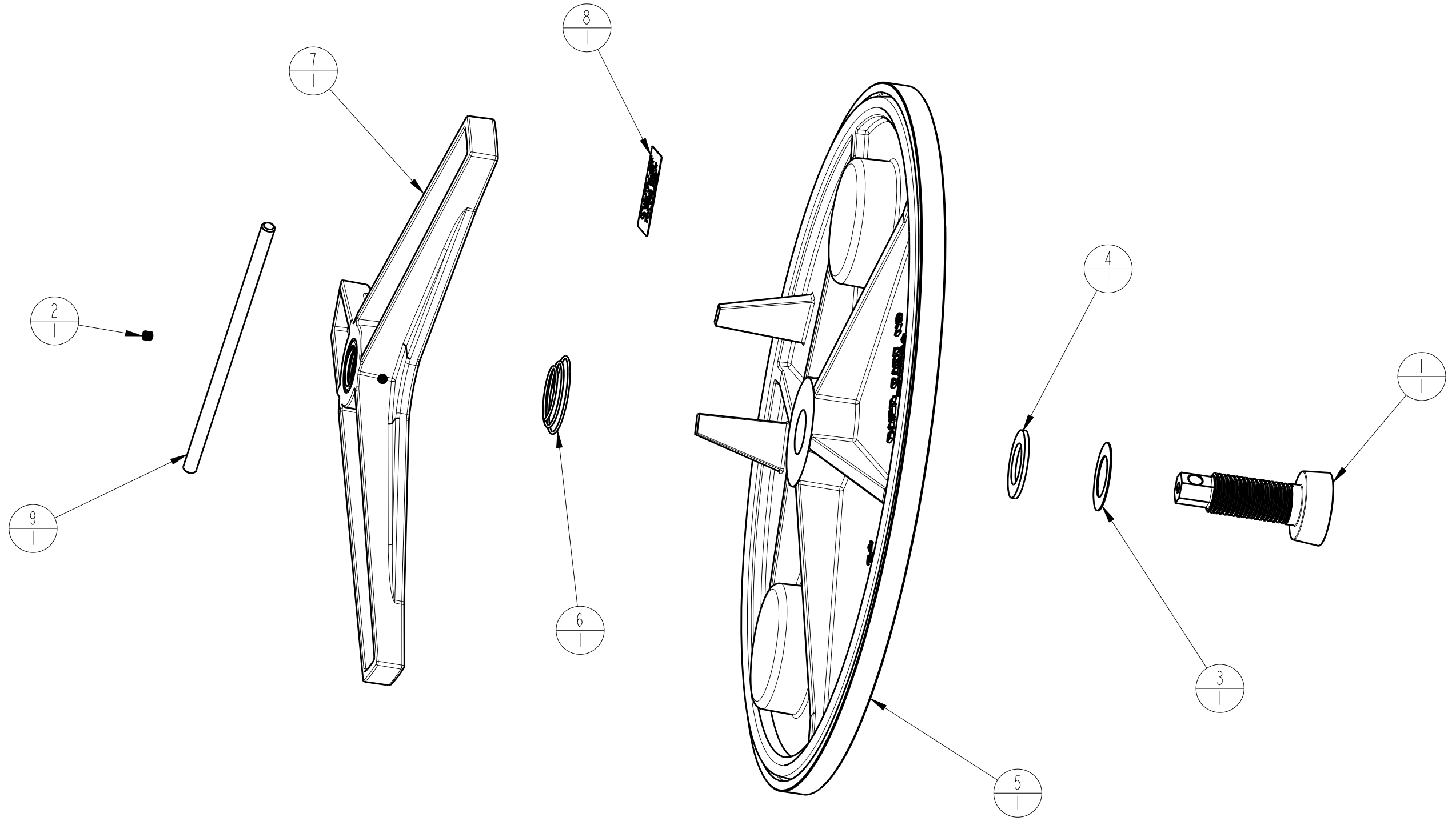


ISOMETRIC VIEW

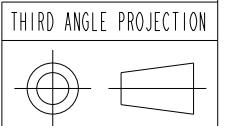
QTY	DESCRIPTION	PART NO	ITEM
1	ROD, .50" DIA X 12" LG	08861-205A	9
1	DECAL, HATCH LUB	08861-710A	8
1	STRONGBACK ASSY, ST, 24" INSERT	08861-188B	7
1	SPRING	08861-805A	6
1	COVER KIT, GASKET, STL #630, 24"	08861-183B	5
1	GASKET, 1.50" ID	08861-701A	4
1	WASHER, FLAT 1.50" ID SS	08861-206A	3
1	SCREW, SET 5/16-18 X 5/16 SS	06122-801B	2
1	BOLT, CENTER THREADED	08861-204A	1

PRO/E THIRD ANGLE PROJECTION 	THE INFORMATION CONTAIN IN THIS DOCUMENT IS PROPRIETARY AND SHALL NOT BE REPRODUCED OR USED FOR ANY PURPOSE WITHOUT THE WRITTEN APPROVAL OF BAIER MARINE CO., INC.			
	2920 Airway Ave., Costa Mesa, CA 92626		TITLE COVER ASSY, STL #630, 24"	
UMC P/N REF 08861-182B	DWN BAE DT 01/08/16 CK DT APR DT	SIZE B DWG NO. BFHR24S	REV A	SCALE 1:4 AND NOTED SHEET 1 OF 3

REVISIONS					
REV	ECN	ECR-TN	DESCRIPTION	DATE	APR
A	16-00209	N/A	SEE SHEET 1	08/19/16	RCL

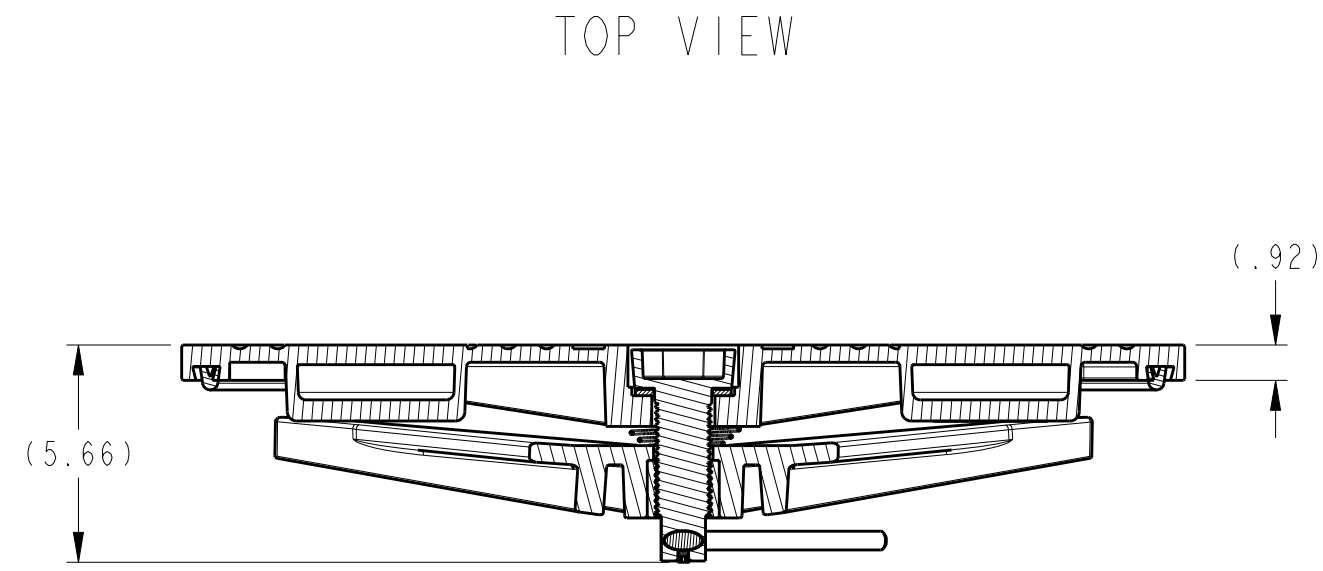
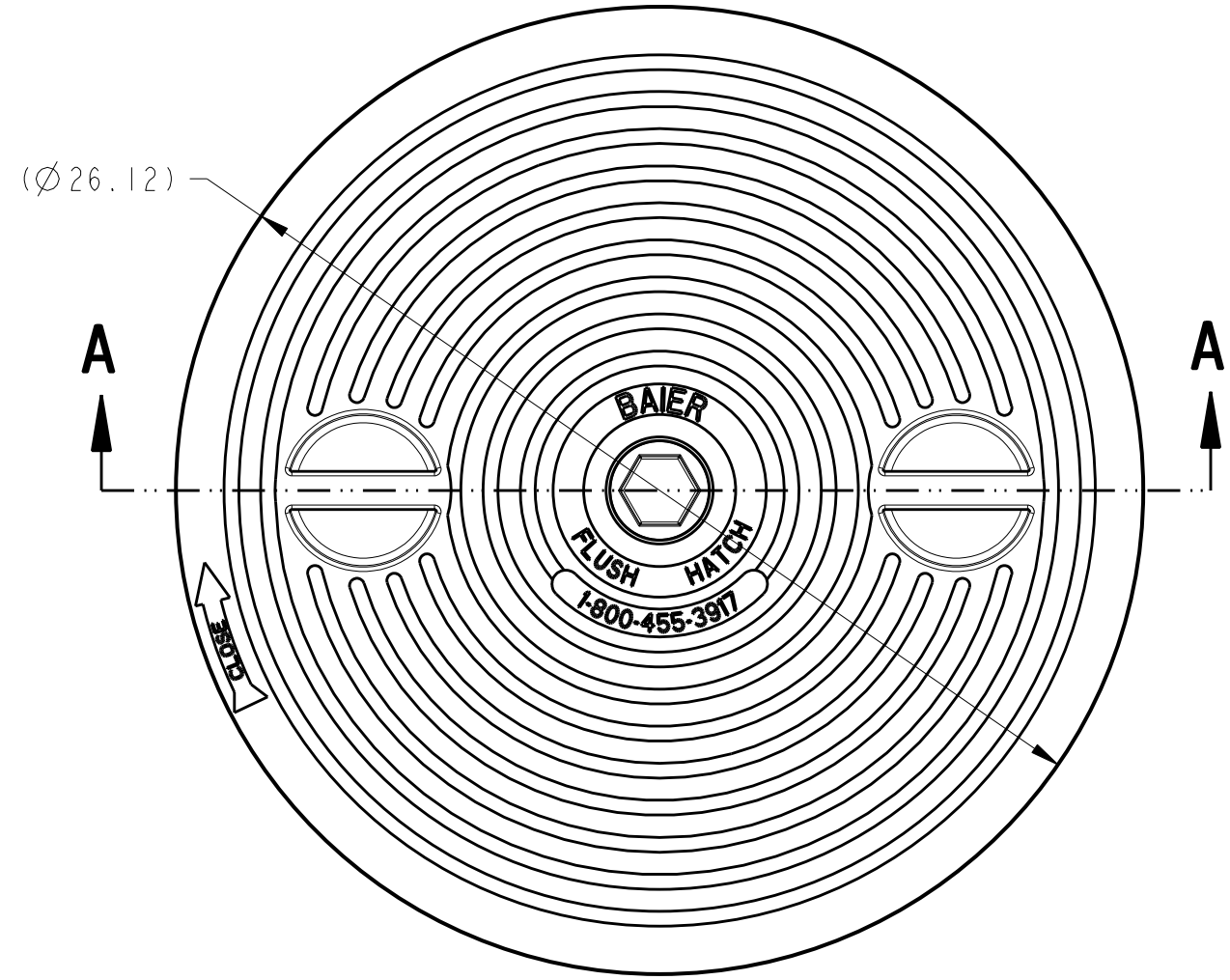


EXPLODED VIEW



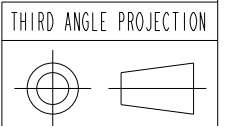
BAIER MARINE Co., Inc. 2920 Airway Ave., Costa Mesa, CA 92626		DWN DT	DWG NO. SCALE	BFHR24S 1:4 SHEET	REV 2 OF 3	A
--	--	-----------	------------------	----------------------	---------------	---

REVISIONS					
REV	ECN	ECR-TN	DESCRIPTION	DATE	APR
A	16-00209	N/A	SEE SHEET 1	08/19/16	RCL



TOP VIEW

SECTION A-A



BAIER MARINE Co., Inc. 2920 Airway Ave., Costa Mesa, CA 92626		DWN DT	DWG NO. SCALE	BFHR24S 1:5 SHEET	REV 3 OF 3	A 3
--	--	-----------	------------------	----------------------	---------------	--------