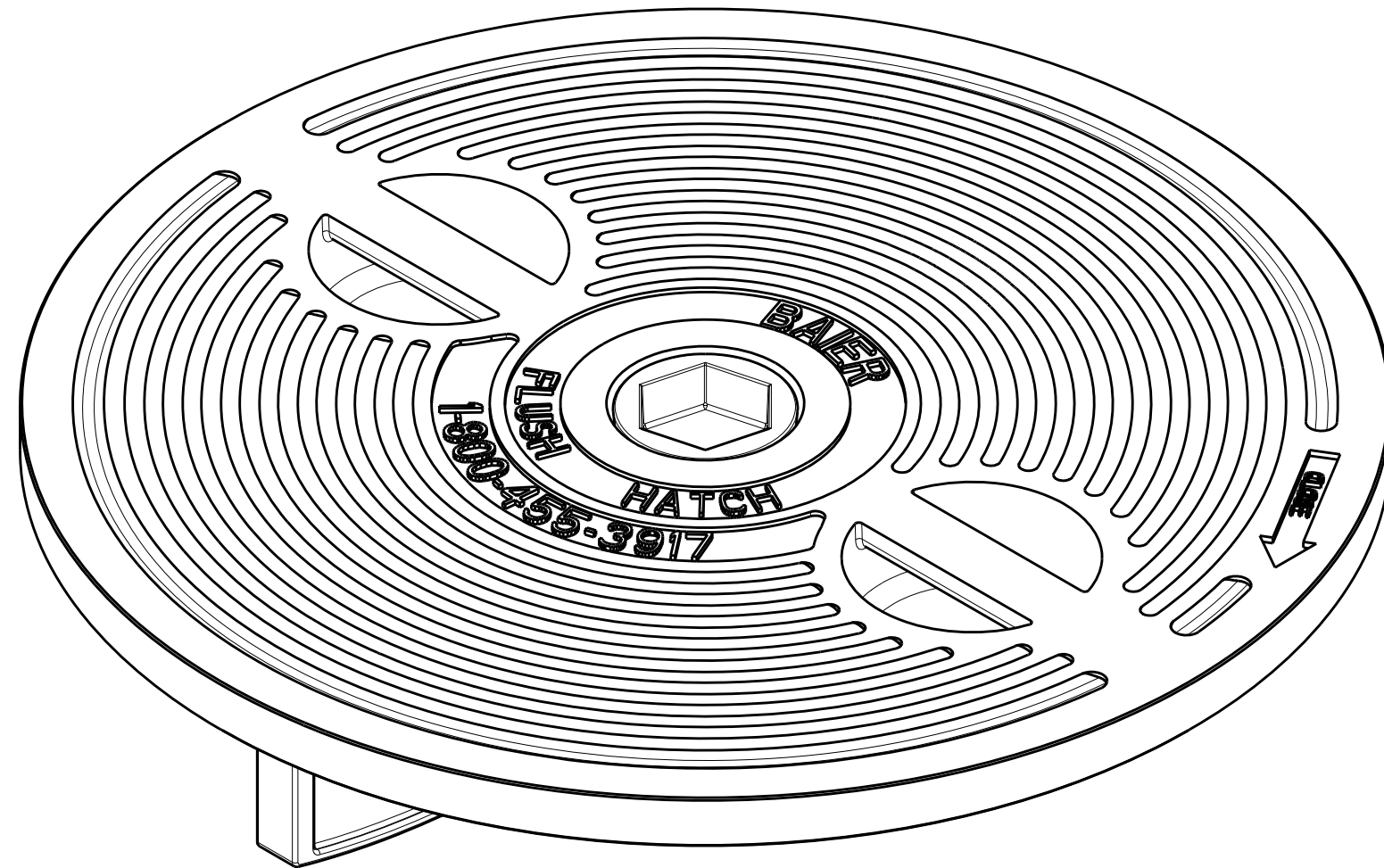

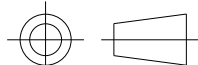


REVISIONS					
REV	ECN	ECR-TN	DESCRIPTION	DATE	APR
A	16-00209	N/A	INITIAL RELEASE	08/19/16	RCL

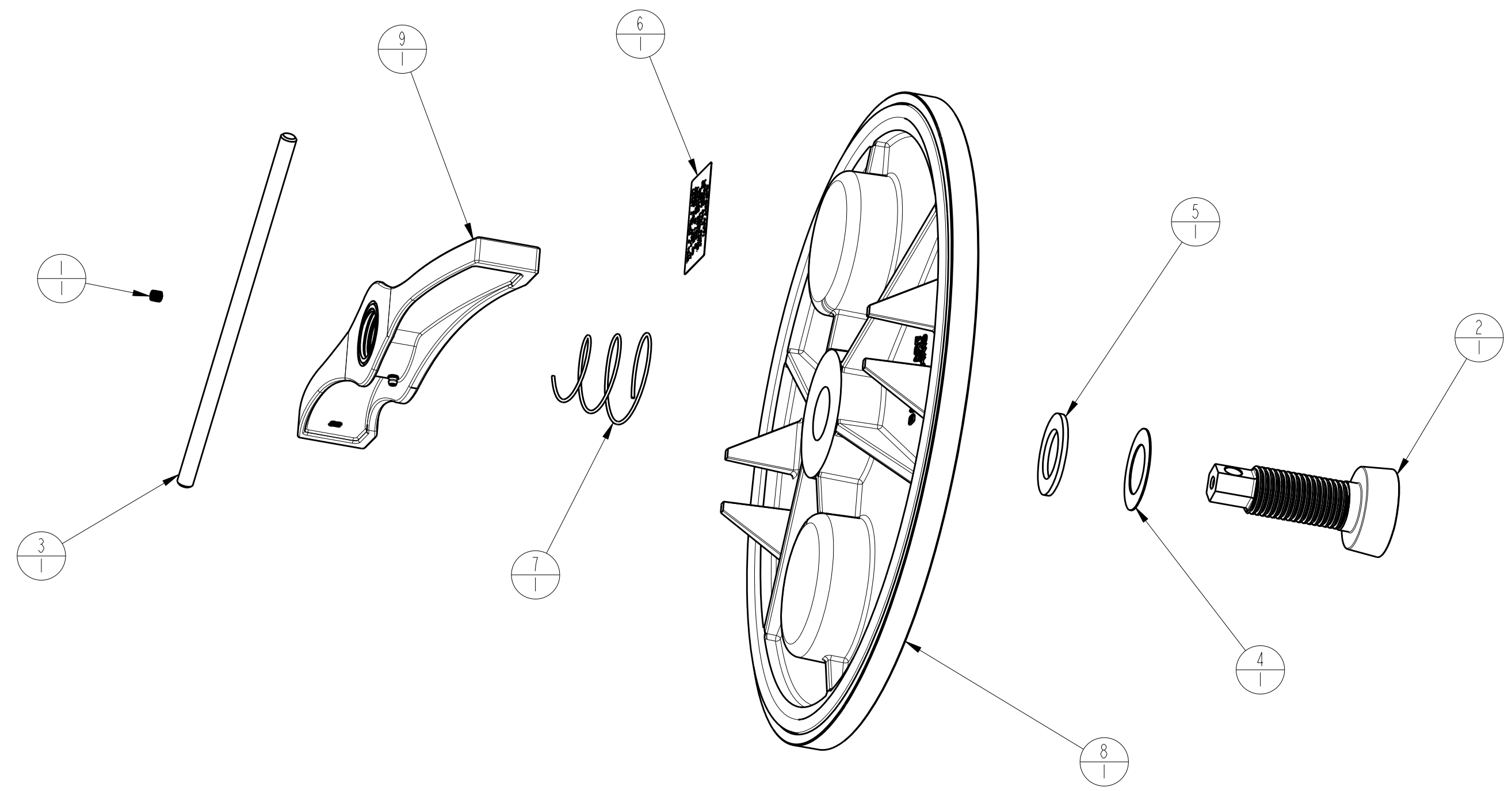


ISOMETRIC VIEW

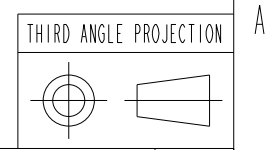
QTY	DESCRIPTION	PART NO	ITEM
1	STRONGBACK ASSY, ST, 18" INSERT	08863-118B	9
1	COVER KIT, GASKET, STL #286-1, 18"	08863-103B	8
1	SPRING	08861-805A	7
1	DECAL, HATCH LUB	08861-710A	6
1	GASKET, 1.50" ID	08861-701A	5
1	WASHER, FLAT 1.50" ID SS	08861-206A	4
1	ROD, .50" DIA X 12" LG	08861-205A	3
1	BOLT, CENTER THREADED	08861-204A	2
1	SCREW, SET 5/16-18 X 5/16 SS	06122-801B	1

PRO/E THIRD ANGLE PROJECTION		THE INFORMATION CONTAIN IN THIS DOCUMENT IS PROPRIETARY AND SHALL NOT BE REPRODUCED OR USED FOR ANY PURPOSE WITHOUT THE WRITTEN APPROVAL OF BAIER MARINE CO., INC.		 2920 Airway Ave., Costa Mesa, CA 92626	
		DWN BAE DT 01/07/16 CK DT APR DT		TITLE COVER ASSY, STL #286-1, 18" SIZE B DWG NO. BFHR18S SCALE 2:5 AND NOTED	
UMC P/N REF 08863-102B				SHEET 1 OF 3	

REVISIONS					
REV	ECN	ECR-TN	DESCRIPTION	DATE	APR
A	16-00209	N/A	SEE SHEET 1	08/19/16	RCL

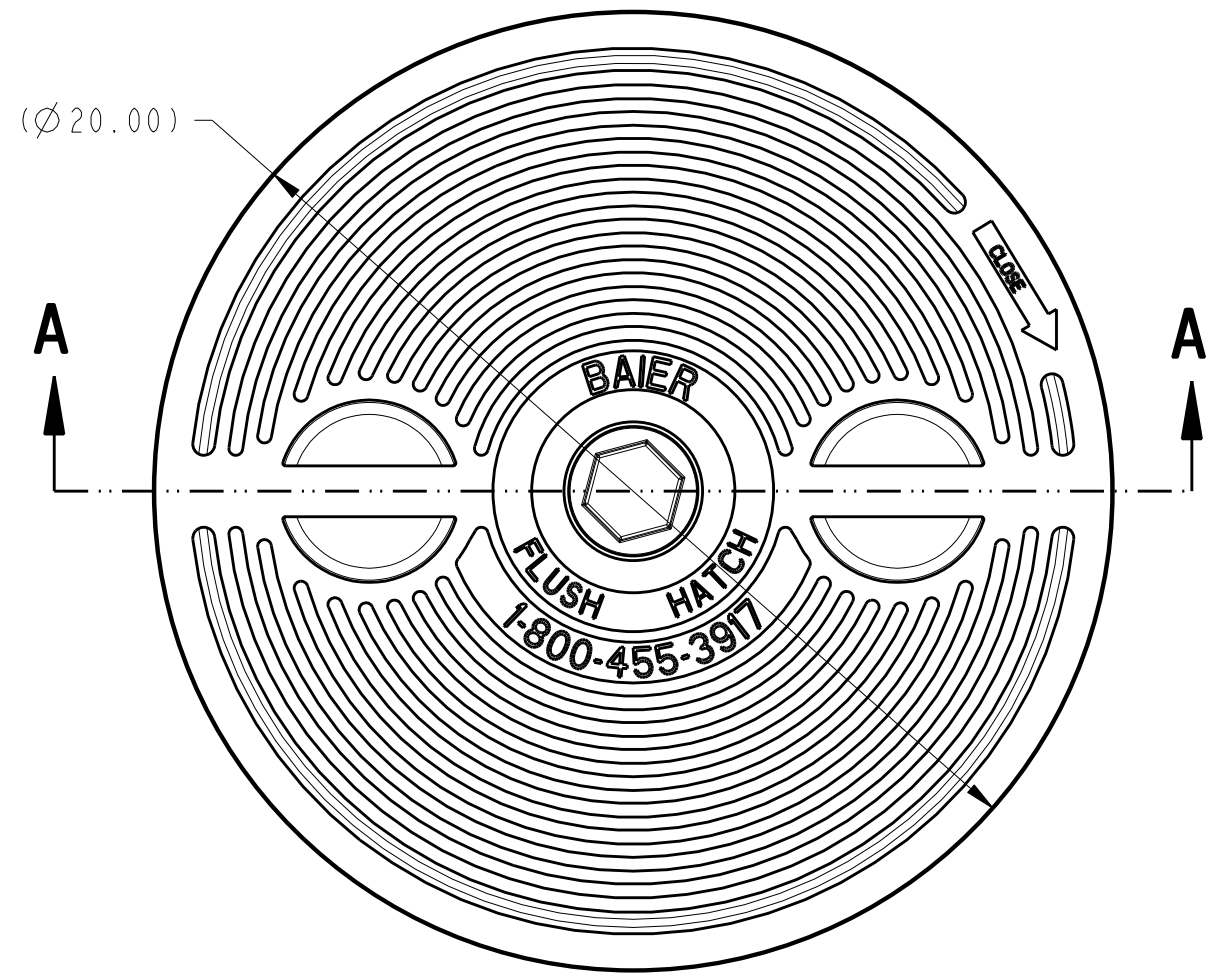


EXPLODED VIEW

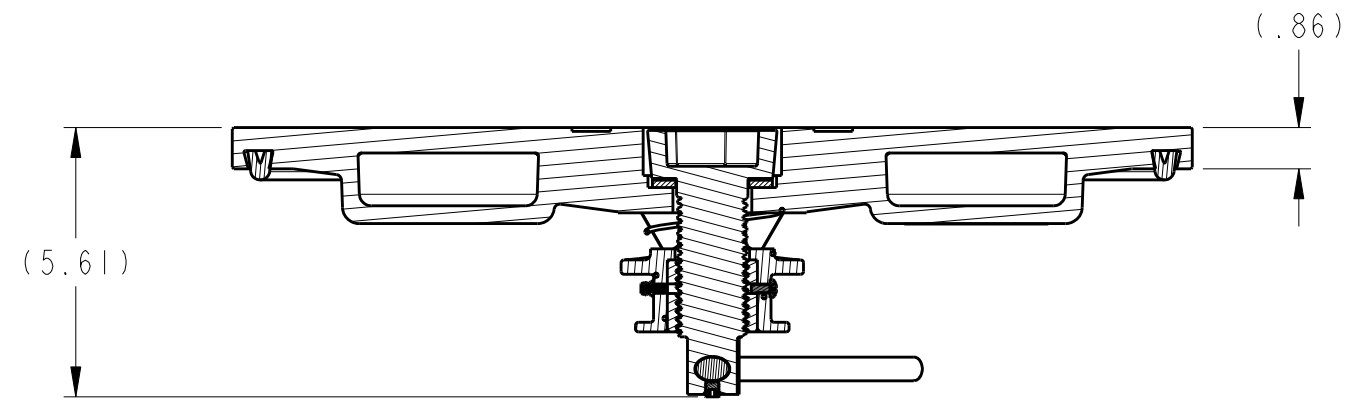


BAIER MARINE Co., Inc. 2920 Airway Ave., Costa Mesa, CA 92626		DWN DT	DWG NO. BFHR18S SCALE 3:10 SHEET	REV A 2 OF 3
--	--	-----------	-------------------------------------	-----------------

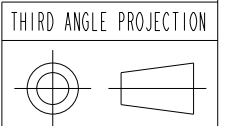
REVISIONS					
REV	ECN	ECR-TN	DESCRIPTION	DATE	APR
A	16-00209	N/A	SEE SHEET 1	08/19/16	RCL



TOP VIEW



SECTION A-A



BAIER MARINE Co., Inc. 2920 Airway Ave., Costa Mesa, CA 92626		DWN DT	DWG NO. BFHR18S SCALE 1:4 SHEET	REV A 3 OF 3
--	--	-----------	------------------------------------	-----------------