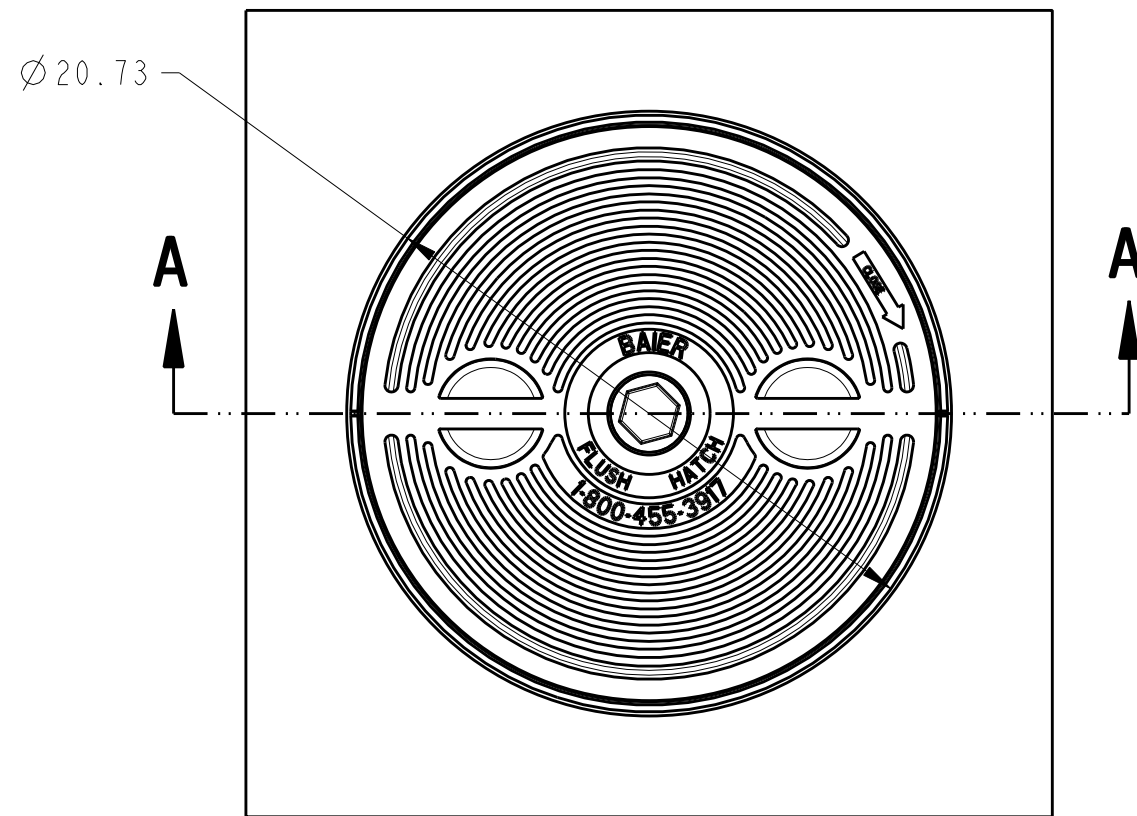
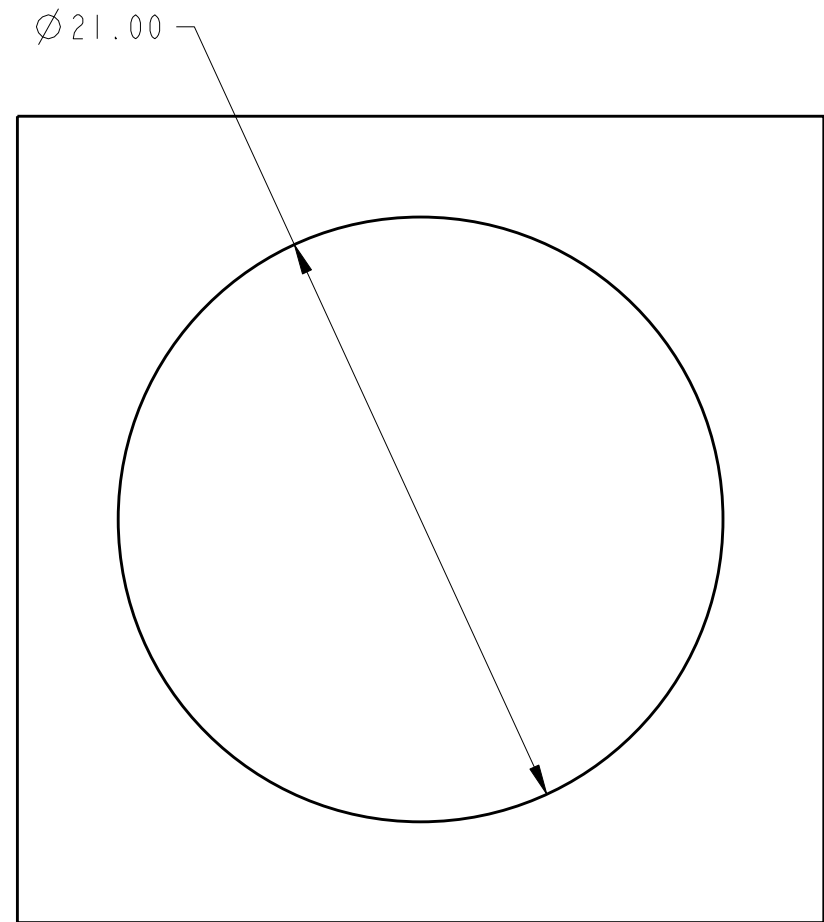


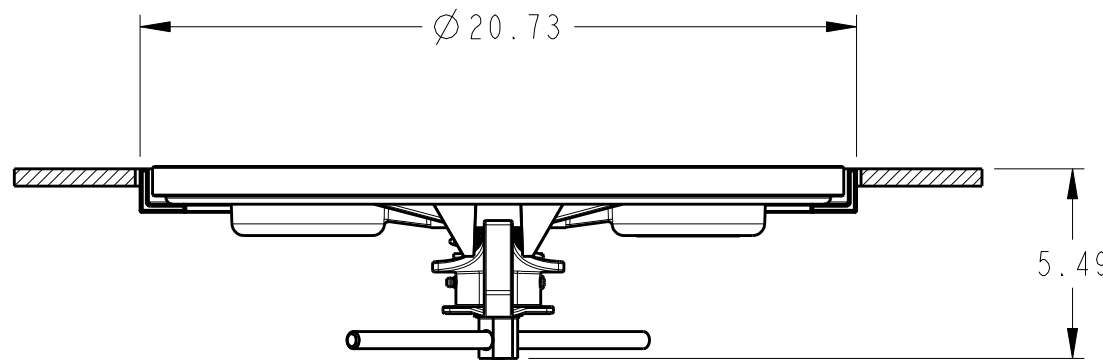
REVISIONS					
REV	ECN	ECR-TN	DESCRIPTION	DATE	APR
A	16-00209	N/A	INITIAL RELEASE	08/19/16	RCL



TOP VIEW  
SCALE 3:20

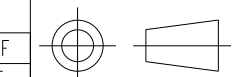


CUTOUT DIMENSION VIEW  
SCALE 3:20



SECTION A-A  
SCALE 9:50

PRO/E  
THIRD ANGLE PROJECTION



THE INFORMATION CONTAIN IN THIS DOCUMENT IS PROPRIETARY AND SHALL NOT BE REPRODUCED OR USED FOR ANY PURPOSE WITHOUT THE WRITTEN APPROVAL OF BAIER MARINE CO., INC.

**BAIER**  
2920 Airway Ave., Costa Mesa, CA 92626  
TITLE HATCH ASSY, ST-SS 18" ROUND

UMC P/N REF  
08863-101E

DWN	BAE	DT	02/12/16
CK		DT	
APR		DT	

SIZE B	DWG NO. BFHR18S-SS	REV A
SCALE 1:4 AND NOTED		SHEET 1 OF 1