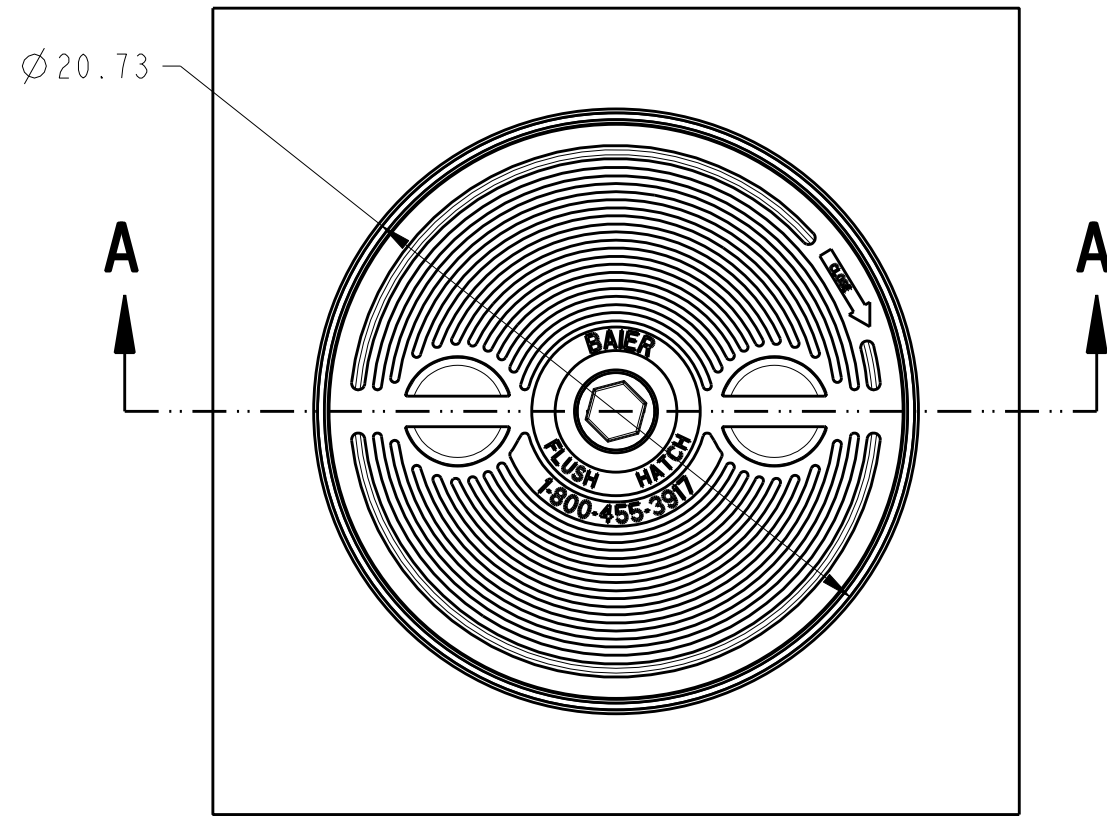
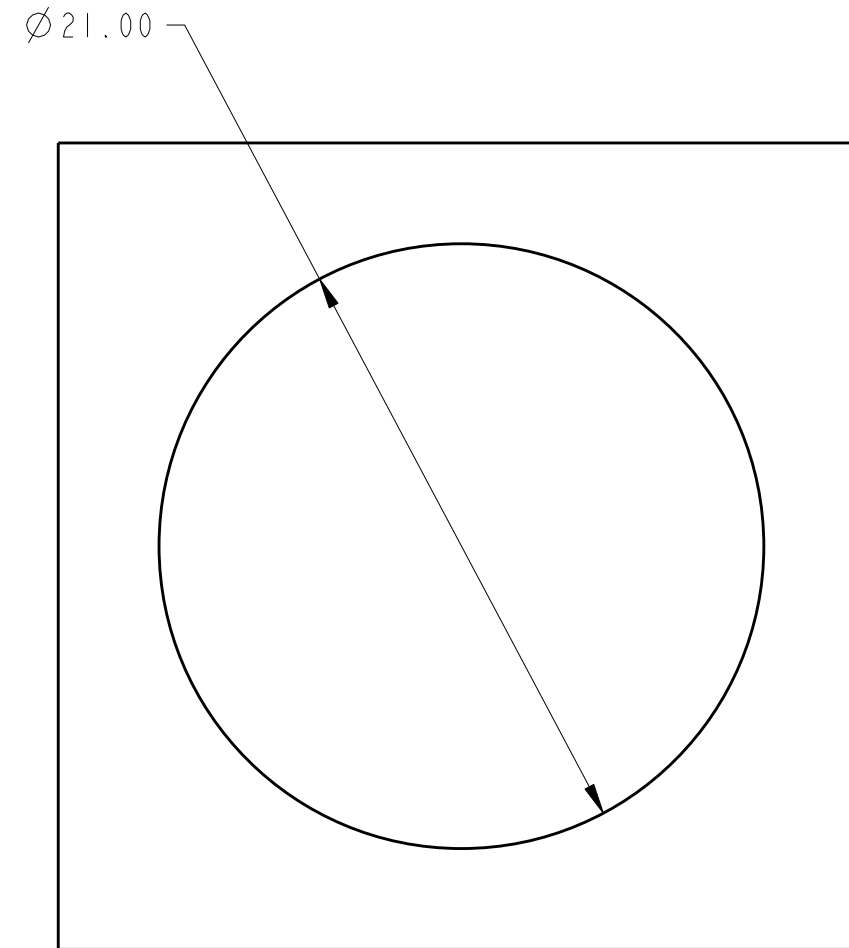


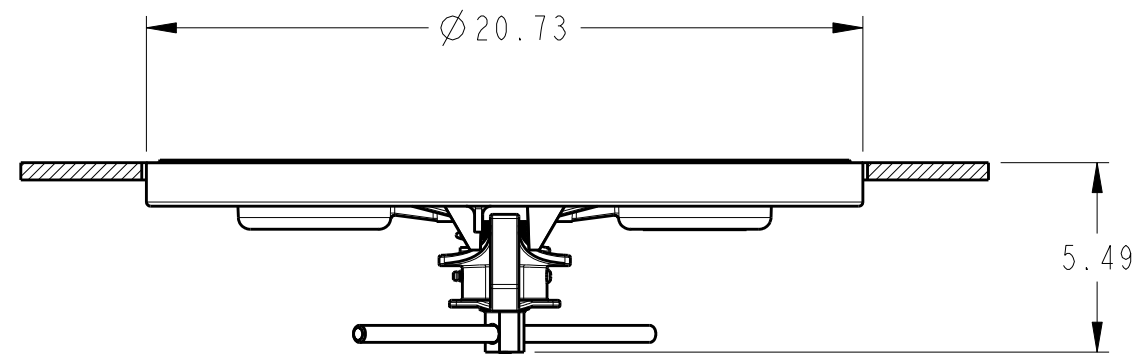
REVISIONS					
REV	ECN	ECR-TN	DESCRIPTION	DATE	APR
A	16-00209	N/A	INITIAL RELEASE	08/19/16	RCL



TOP VIEW  
SCALE 3:20



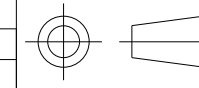
CUTOUT DIMENSION VIEW  
SCALE 3:20



SECTION A-A  
SCALE 9:50

PRO/E  
THIRD ANGLE PROJECTION

UMC P/N REF  
08863-101C



THE INFORMATION CONTAIN IN THIS DOCUMENT IS PROPRIETARY AND SHALL NOT BE REPRODUCED OR USED FOR ANY PURPOSE WITHOUT THE WRITTEN APPROVAL OF BAIER MARINE CO., INC.

DWN	BAE	DT	08/24/15
CK		DT	
APR		DT	

**BAIER**  
2920 Airway Ave., Costa Mesa, CA 92626

TITLE HATCH ASSY, ST 18" ROUND

SIZE B	DWG NO. BFHR18S-S	REV A
SCALE 1:4 AND NOTED		SHEET 1 OF 1