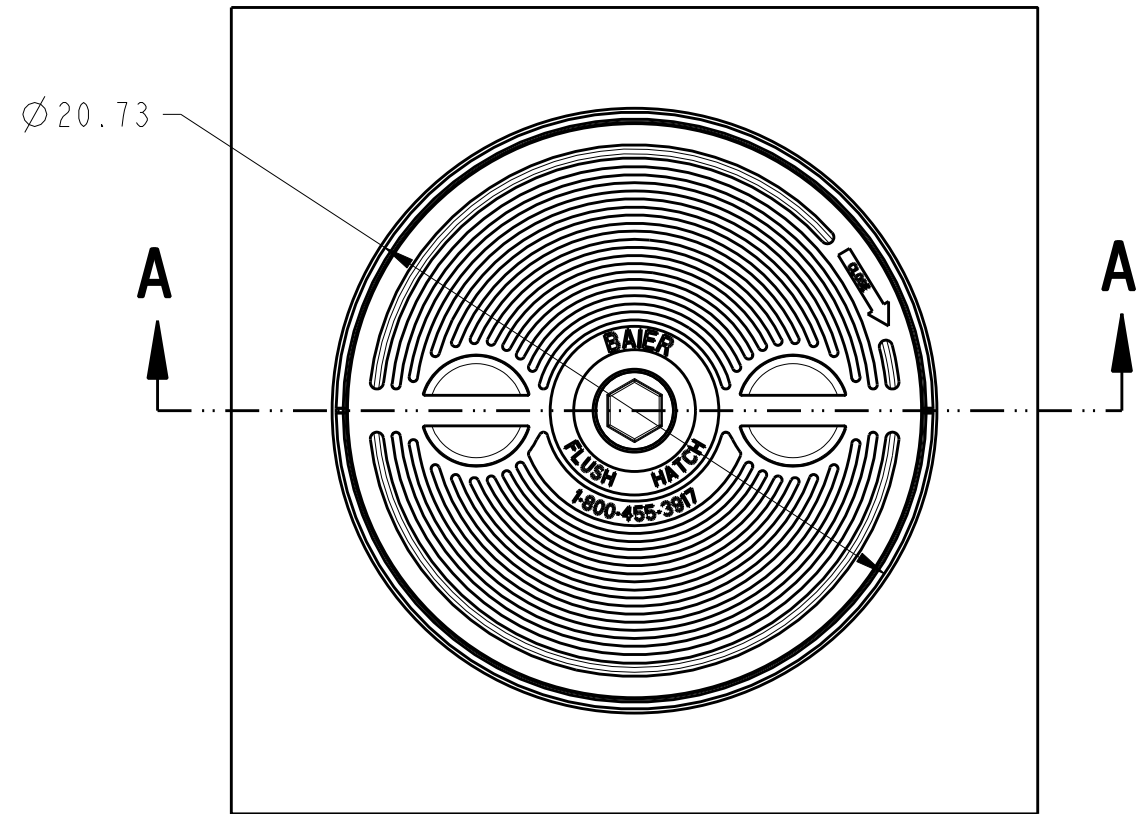
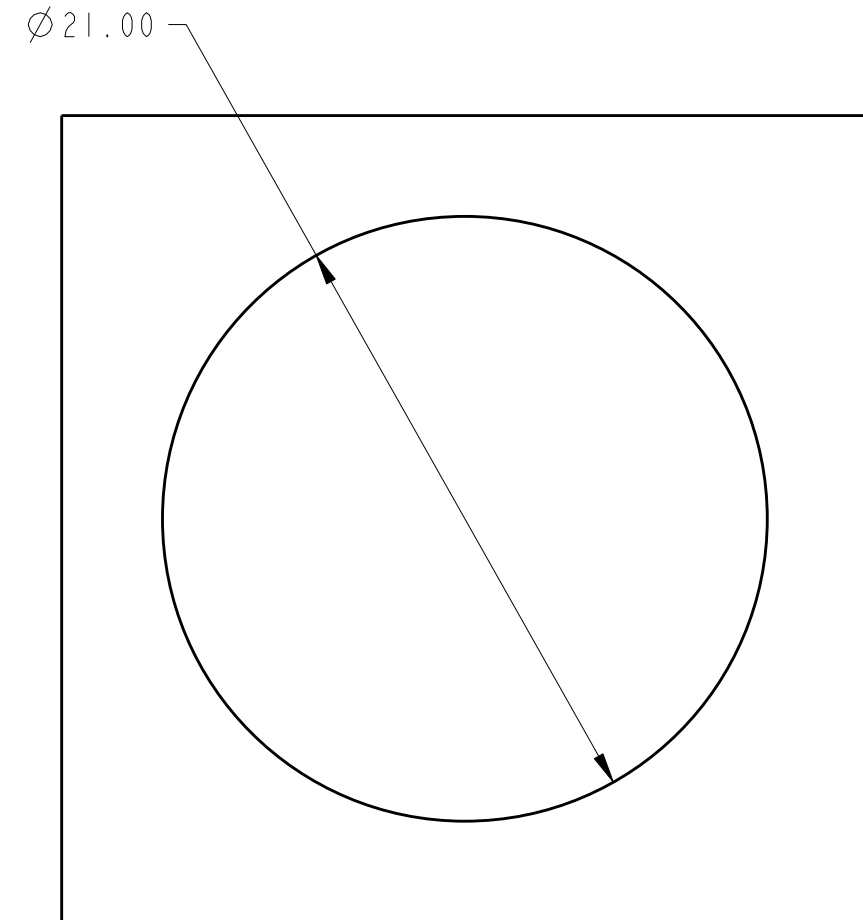


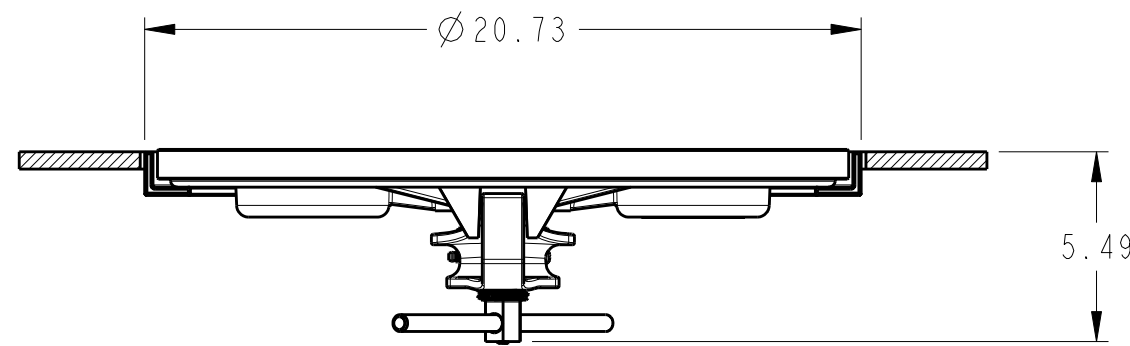
REVISIONS					
REV	ECN	ECR-TN	DESCRIPTION	DATE	APR
A	16-00209	N/A	INITIAL RELEASE	08/19/16	RCL




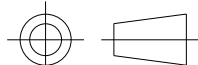
TOP VIEW
SCALE 3:20



CUTOUT DIMENSION VIEW
SCALE 3:20



SECTION **A-A**
SCALE 9:50

THE INFORMATION CONTAIN IN THIS DOCUMENT IS PROPRIETARY AND SHALL NOT BE REPRODUCED OR USED FOR ANY PURPOSE WITHOUT THE WRITTEN APPROVAL OF BAIER MARINE CO., INC.			 2920 Airway Ave., Costa Mesa, CA 92626		
PRO/E THIRD ANGLE PROJECTION			TITLE HATCH ASSY, AL-SS 18" ROUND		
UMC P/N REF 08863-101C		DWN BAE DT 02/12/16 CK DT APR DT	SIZE B DWG NO. BFHR18A-SS	REV A	SCALE 1:4 AND NOTED SHEET 1 OF 1