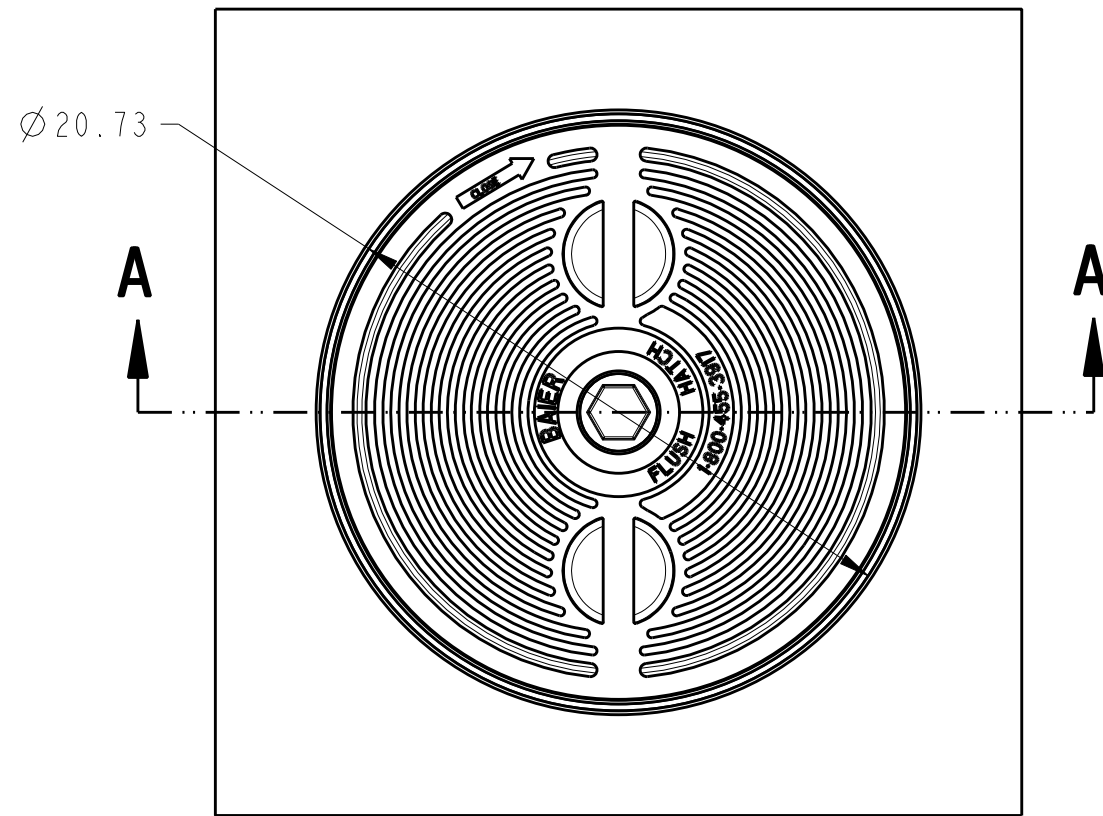
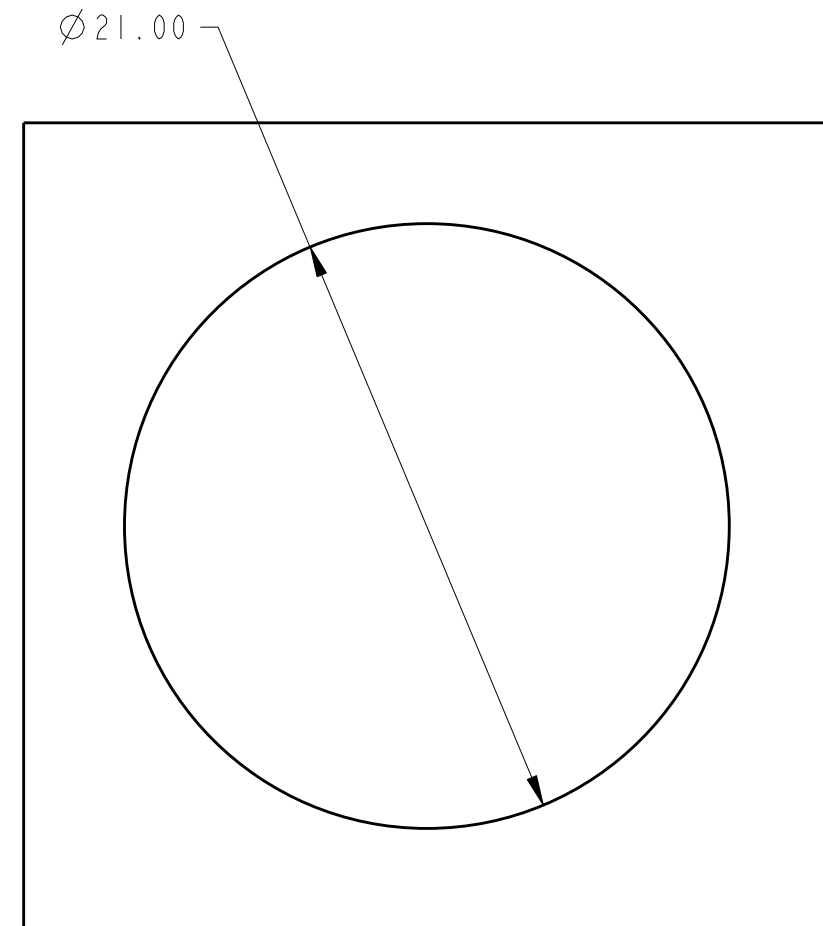


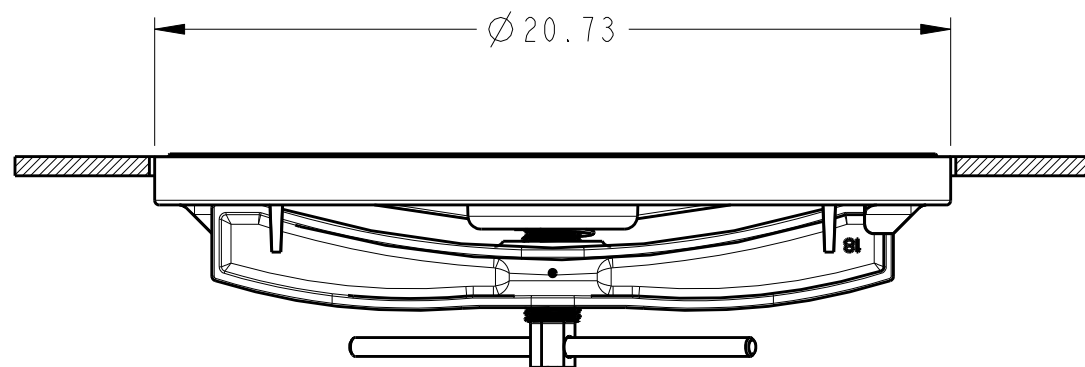
REVISIONS					
REV	ECN	ECR-TN	DESCRIPTION	DATE	APR
A	16-00209	N/A	INITIAL RELEASE	08/19/16	RCL




TOP VIEW
SCALE 3:20



CUTOUT DIMENSION VIEW
SCALE 3:20



SECTION A-A
SCALE 1:5

THE INFORMATION CONTAIN IN THIS DOCUMENT IS PROPRIETARY AND SHALL NOT BE REPRODUCED OR USED FOR ANY PURPOSE WITHOUT THE WRITTEN APPROVAL OF BAIER MARINE CO., INC.			 2920 Airway Ave., Costa Mesa, CA 92626		
PRO/E THIRD ANGLE PROJECTION			TITLE HATCH ASSY, AL-ST 18" ROUND		
DWN	BAE	DT	01/05/16	SIZE B	DWG NO. BFHR18A-S
CK		DT		SCALE 1:4 AND NOTED	REV A
APR		DT		SHEET	1 OF 1
UMC P/N REF					
08863-101B					