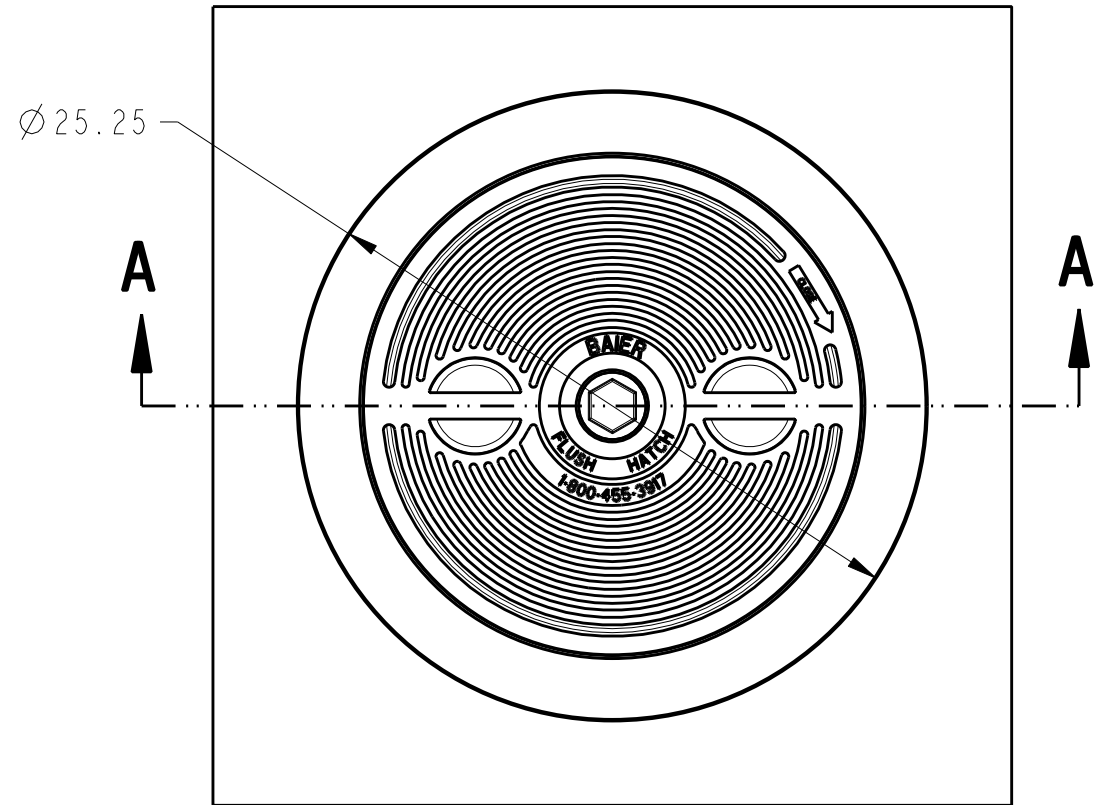
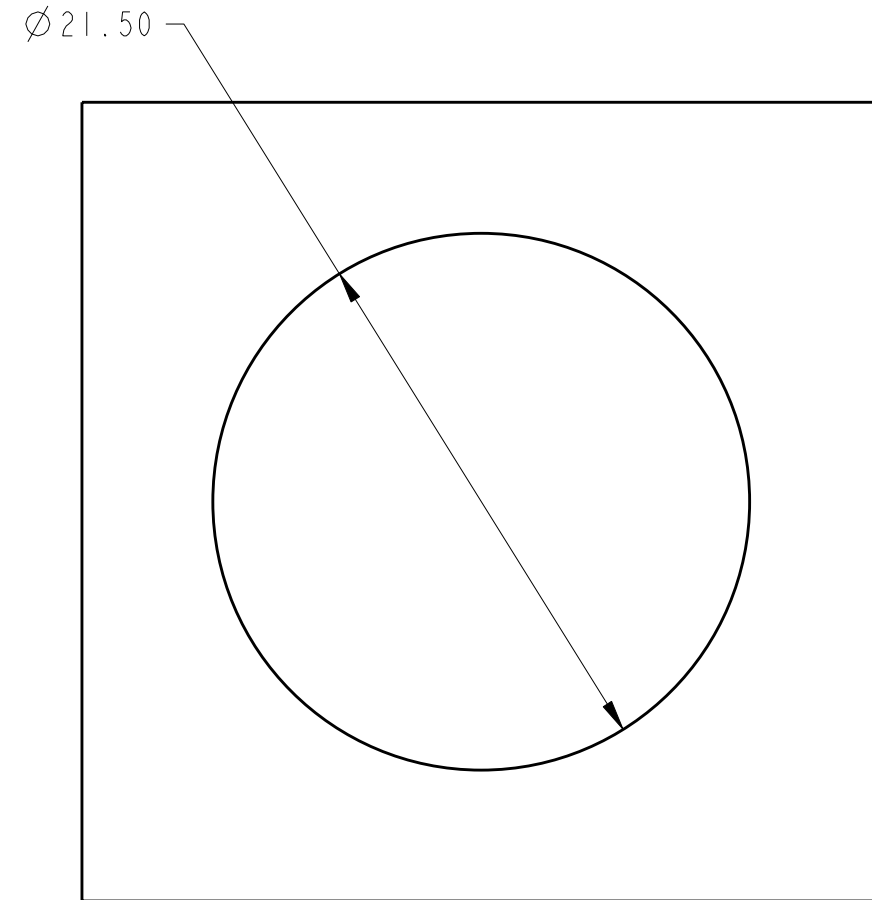


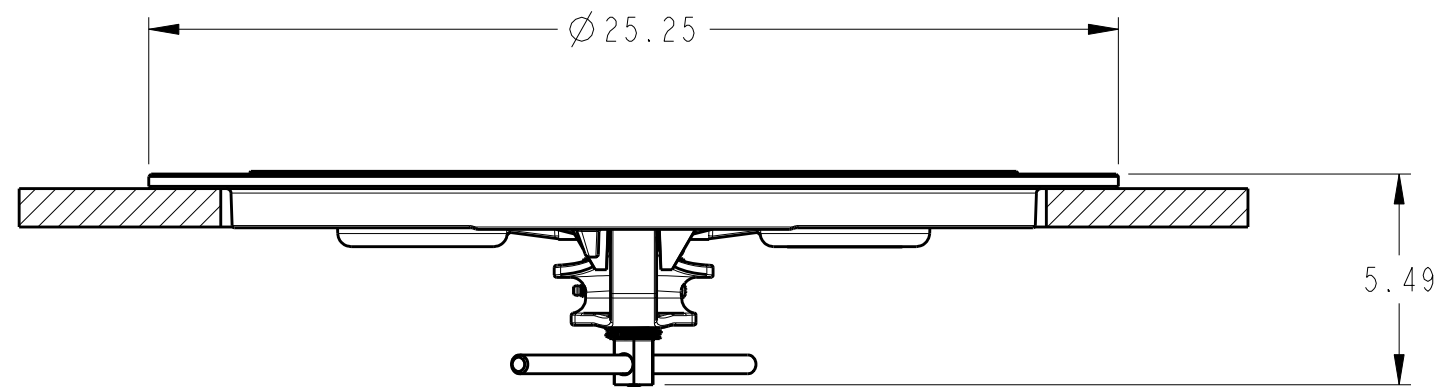
REVISIONS					
REV	ECN	ECR-TN	DESCRIPTION	DATE	APR
A	16-00209	N/A	INITIAL RELEASE	08/19/16	RCL



TOP VIEW
SCALE 13:100

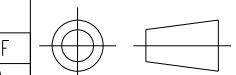


CUTOUT DIMENSION VIEW
SCALE 13:100



SECTION A-A
SCALE 1:5

PRO/E
THIRD ANGLE PROJECTION



THE INFORMATION CONTAIN IN THIS DOCUMENT IS PROPRIETARY AND SHALL NOT BE REPRODUCED OR USED FOR ANY PURPOSE WITHOUT THE WRITTEN APPROVAL OF BAIER MARINE CO., INC.



2920 Airway Ave., Costa Mesa, CA 92626

TITLE HATCH ASSY, AL 18" ROUND

UMC P/N REF
08863-101A

DWN	BAE	DT	08/24/15
CK		DT	
APR		DT	

SIZE B	DWG NO. BFHR18A-A	REV A
SCALE 11:50 AND NOTED		SHEET 1 OF 1