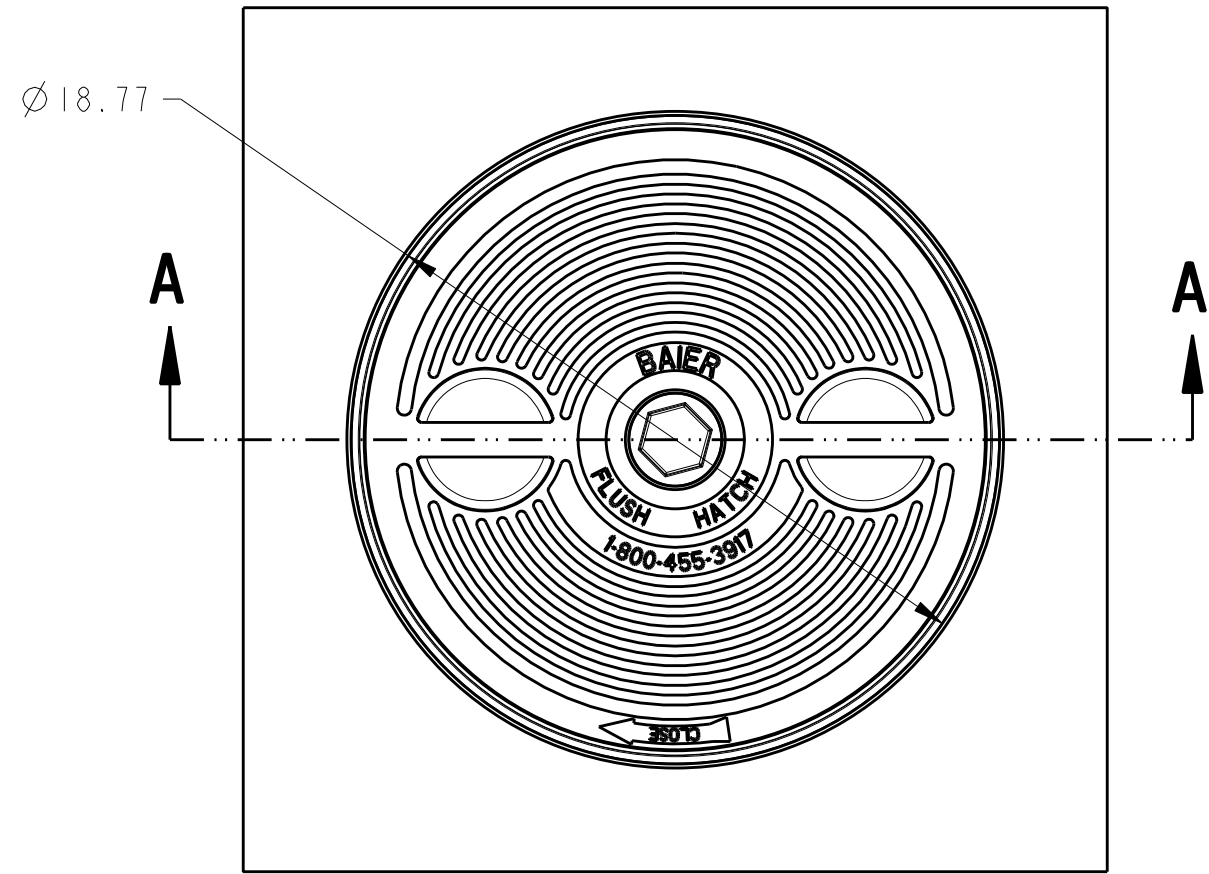
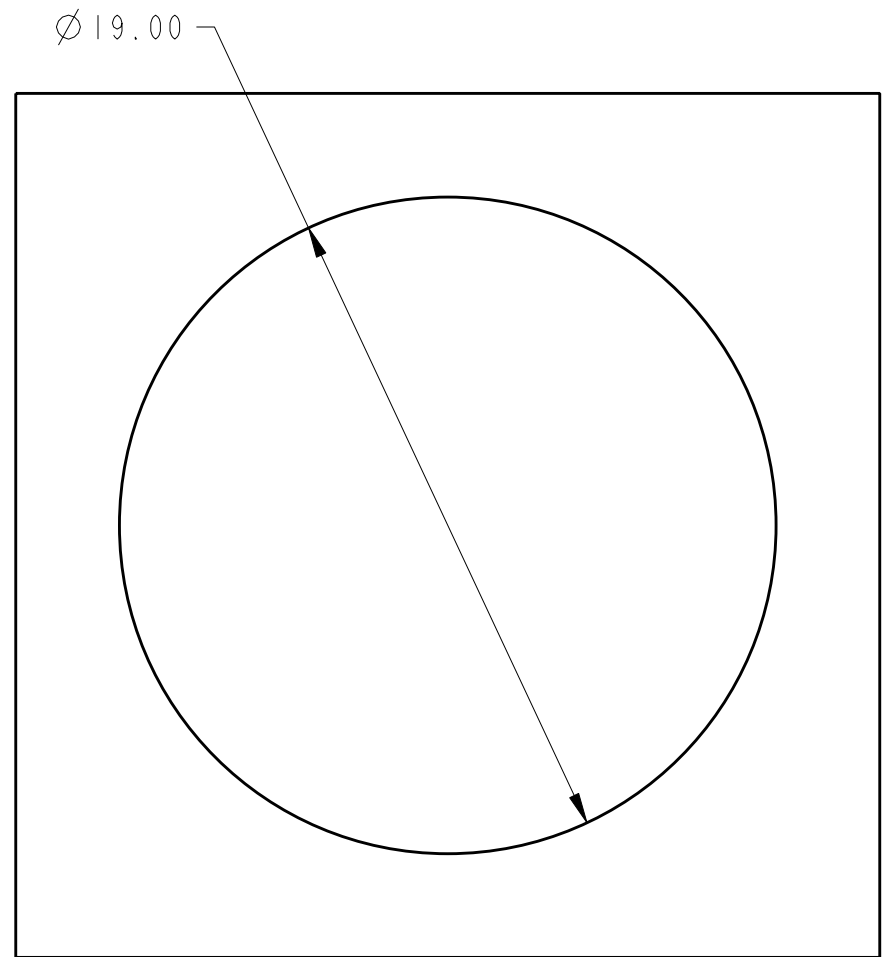


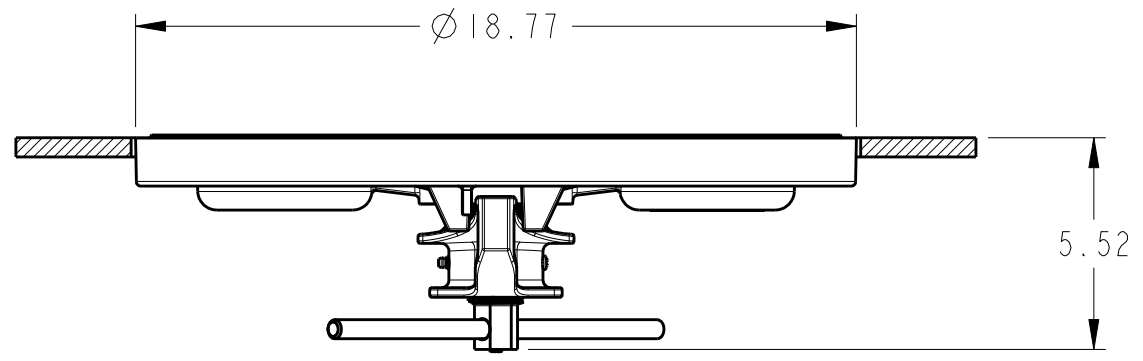
REVISIONS					
REV	ECN	ECR-TN	DESCRIPTION	DATE	APR
A	16-00209	N/A	INITIAL RELEASE	08/19/16	RCL



TOP VIEW
SCALE 9:50



CUTOUT DIMENSION VIEW
SCALE 9:50



SECTION A-A
SCALE 1:5

UMC P/N REF 08863-121C		PRO/E THIRD ANGLE PROJECTION		THE INFORMATION CONTAIN IN THIS DOCUMENT IS PROPRIETARY AND SHALL NOT BE REPRODUCED OR USED FOR ANY PURPOSE WITHOUT THE WRITTEN APPROVAL OF BAIER MARINE CO., INC.		2920 Airway Ave., Costa Mesa, CA 92626	
DWN	BAE	DT	08/24/15	SIZE B	DWG NO.	TITLE HATCH ASSY, ST 16" ROUND	
CK		DT			BFHRI6S-S	REV A	
APR		DT		SCALE 7:20 AND NOTED		SHEET	1 OF 1