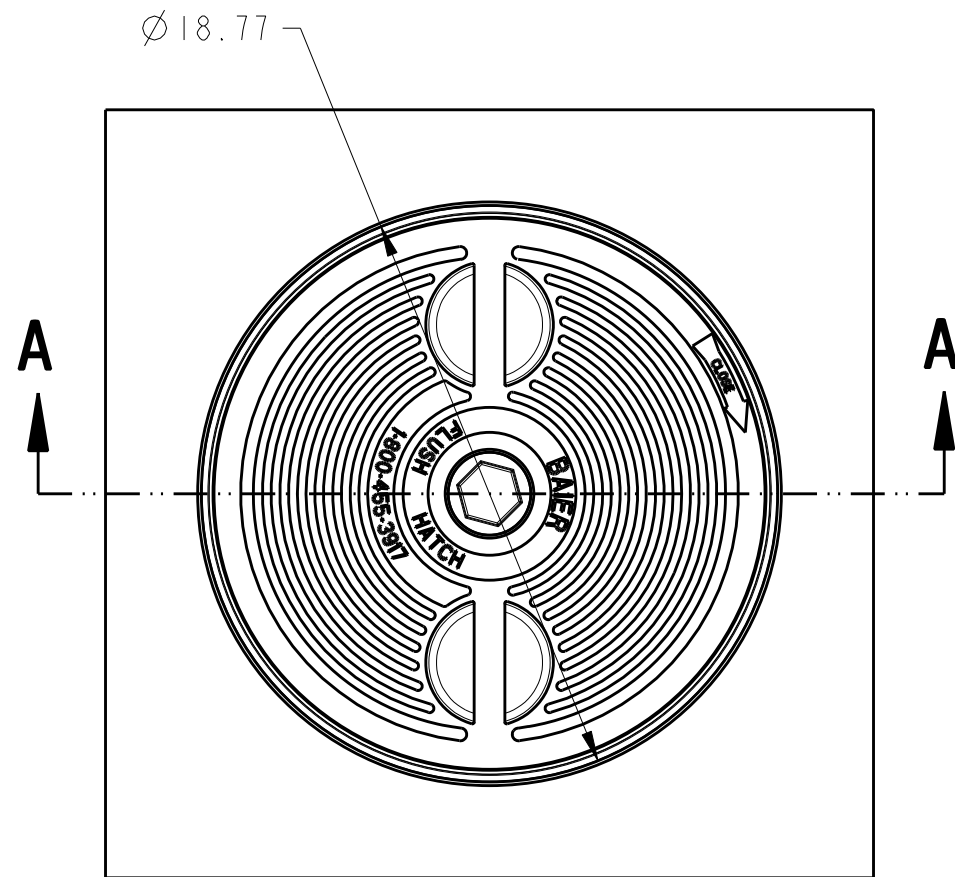
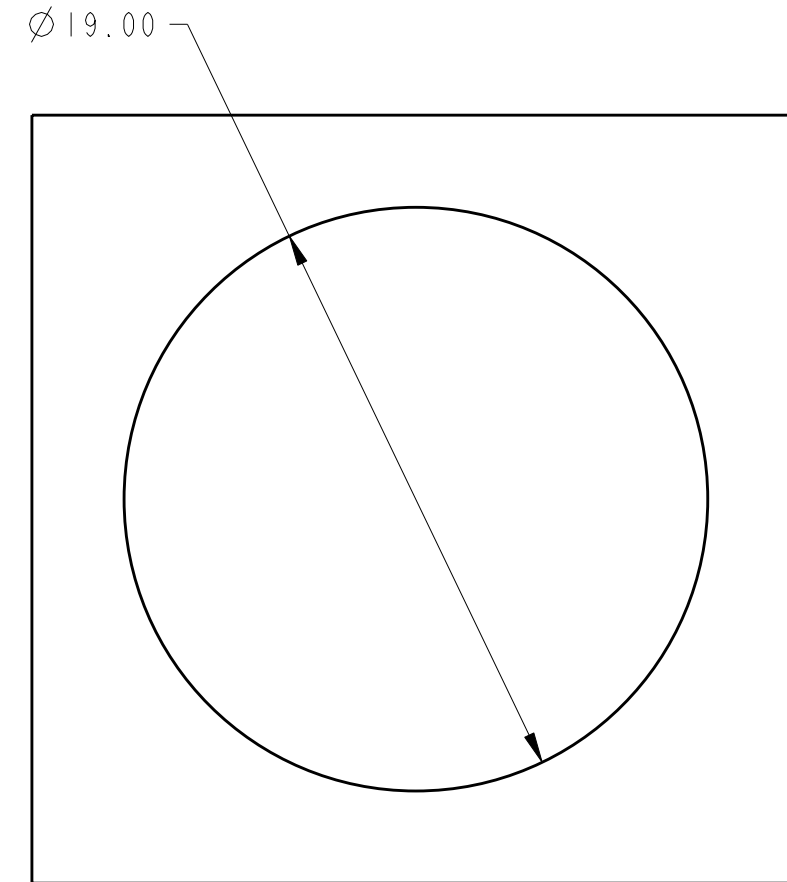


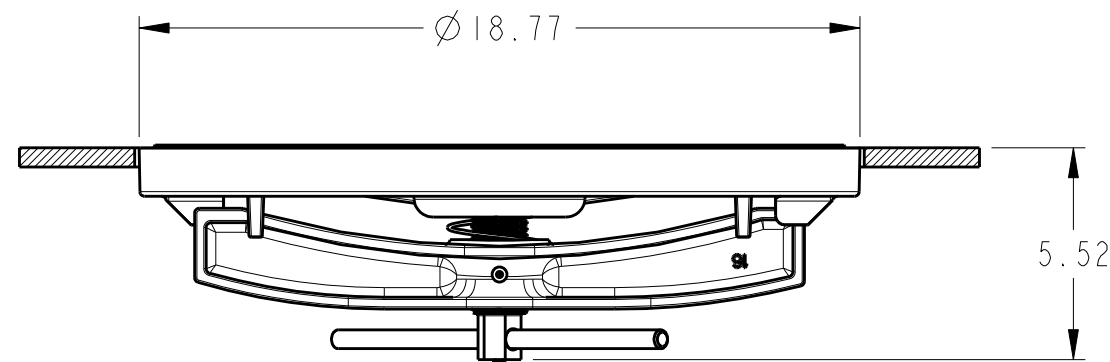
REVISIONS					
REV	ECN	ECR-TN	DESCRIPTION	DATE	APR
A	16-00209	N/A	INITIAL RELEASE	08/19/16	RCL



TOP VIEW
SCALE 4:25

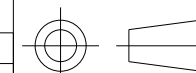


CUTOUT DIMENSION VIEW
SCALE 4:25



SECTION A-A
SCALE 1:5


PRO/E
THIRD ANGLE PROJECTION



UMC P/N REF
08863-121B

THE INFORMATION CONTAIN IN THIS DOCUMENT IS PROPRIETARY AND SHALL NOT BE REPRODUCED OR USED FOR ANY PURPOSE WITHOUT THE WRITTEN APPROVAL OF BAIER MARINE CO., INC.

DWN	BAE	DT	12/31/15
CK		DT	
APR		DT	

 2920 Airway Ave., Costa Mesa, CA 92626		TITLE	HATCH ASSY, AL-ST 16" ROUND	
		SIZE	DWG NO.	REV
B	BFHR16A-S	A	SCALE 1:4 AND NOTED SHEET 1 OF 1	