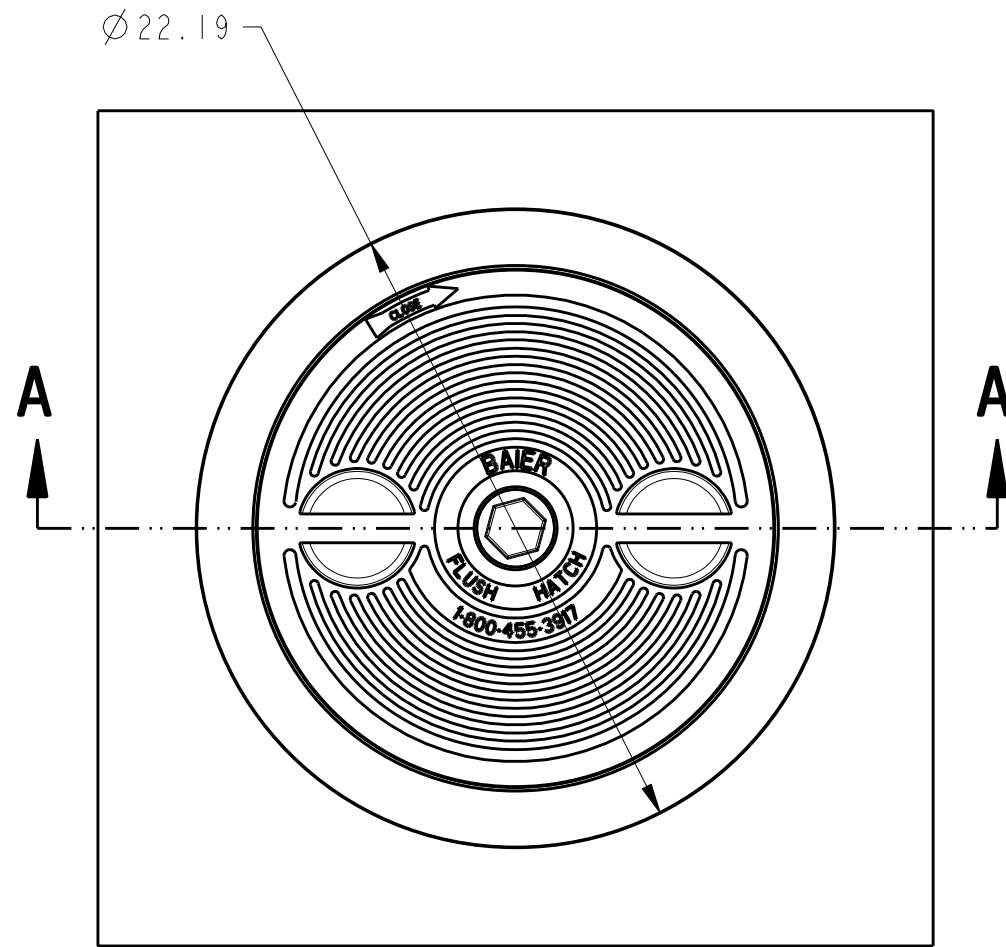
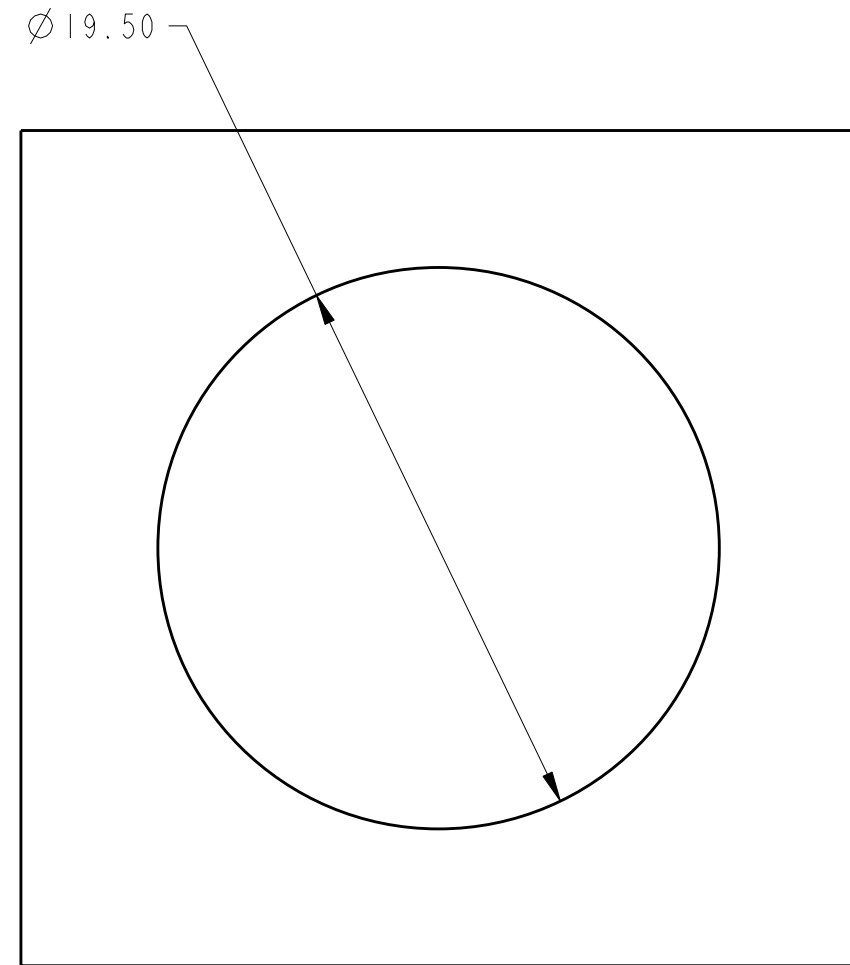


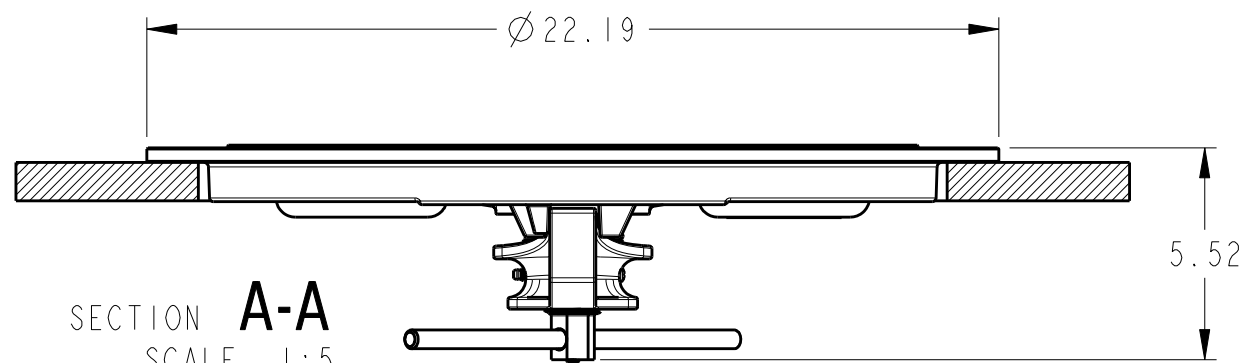
REVISIONS					
REV	ECN	ECR-TN	DESCRIPTION	DATE	APR
A	16-00209	N/A	INITIAL RELEASE	08/19/16	RCL



TOP VIEW
SCALE 3:20



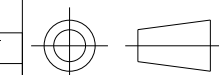
CUTOUT DIMENSION VIEW
SCALE 3:20



SECTION A-A
SCALE 1:5

UMC P/N REF	08863-121A
-------------	------------

PRO/E
THIRD ANGLE PROJECTION



DWN	BAE	DT	08/21/15
CK		DT	
APR		DT	

2920 Airway Ave., Costa Mesa, CA 92626	
TITLE HATCH ASSY, AL 16" ROUND	
SIZE B	DWG NO. BFHR16A-A
SCALE 1:5 AND NOTED	REV A
SHEET	1 OF 1