

BFHR16 - Flush Deck Hatch | Hex CenterBolt | Round 16" | Aluminum, Steel

The popular "Classic" Baier Flush Hatch™ is the flush-mounted, quick release, lift-out hatch with grab handles as shown. It has long been standard equipment on fish boats, tugs, barges, workboats, and other marine vessels, as well as many U.S. Navy and U.S. and Canadian Coast Guard vessels.

FEATURES

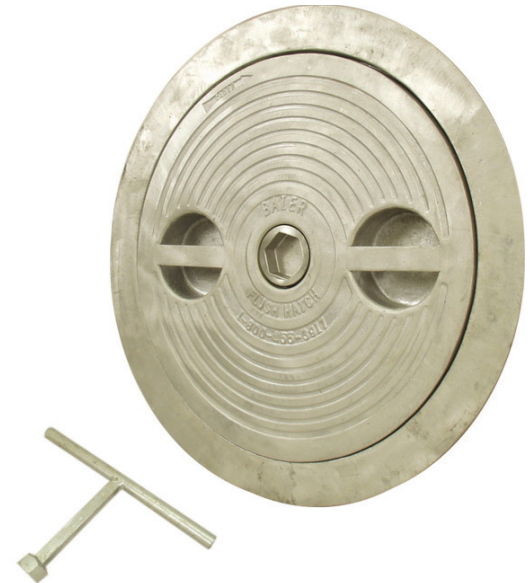
- Cast Hatch Cover
- Cast Strongback
- Stainless Steel Hex Centerbolt and hardware Neoprene Cover Gasket and Washers (Buna-N optional)
- Cast / fabricated matching Deck Ring
- Every unit shipped with an underside escape turning bar for safety (turning wheel optional)
- Detachable Hex wrench used for quick operation, can be stored separately for security

STRENGTH, SIMPLICITY and SECURITY

The ultimate in strength and simplicity, Baier's original patented strongback system has only two moving parts to secure the hatch cover to the deck. It is superior to other more complicated hatch closure systems in that it is simpler, stronger, more reliably watertight, infinitely adjustable from topside, and more easily serviced (parts are readily available and replaced in the field). Importantly, the recessed hex centerbolt and grab handles offer no snags for nets, lines or hardware.

MATERIALS

The Classic Model BFH hatch product line is available in both cast aluminum and cast steel. Baier is the only company to offer steel hatch covers which is stronger, more durable, and more impact resistant when compared to iron hatches, especially in cold climates. All of our Steel Cover assemblies and deck rings are hot dip galvanized for superior corrosion resistance. The deck ring is available in galvanized mild steel (for welding into steel decks), or cast aluminum (for welding into aluminum decks or bolting to fiberglass or wood decks). Cast stainless steel hatches and fabricated stainless deck rings are available by special order.



| Model | Cutout in.(mm) | Material | Autocad PDF/DXF |
|------------|----------------|----------------------------|-----------------|
| BFHR16A/A | 19.22" | Aluminum / Aluminum | BFHR16A-A |
| BFHR16A/S | 18.77" | Aluminum / Steel | BFHR16S-S |
| BFHR16A/SS | 18.77" | Aluminum / Stainless Steel | BFHR16S-S |
| BFHR16S/S | 18.77" | Steel / Steel | BFHR16S-S |
| BFHR16S/SS | 18.77" | Steel / Stainless Steel | BFHR16S-S |



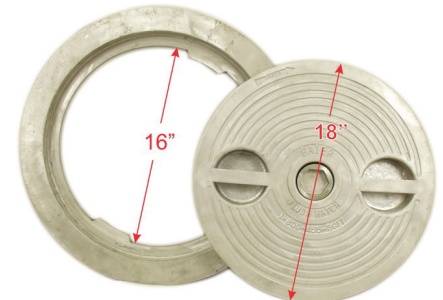
BFHR16A/S with Cast Aluminum Deck Ring



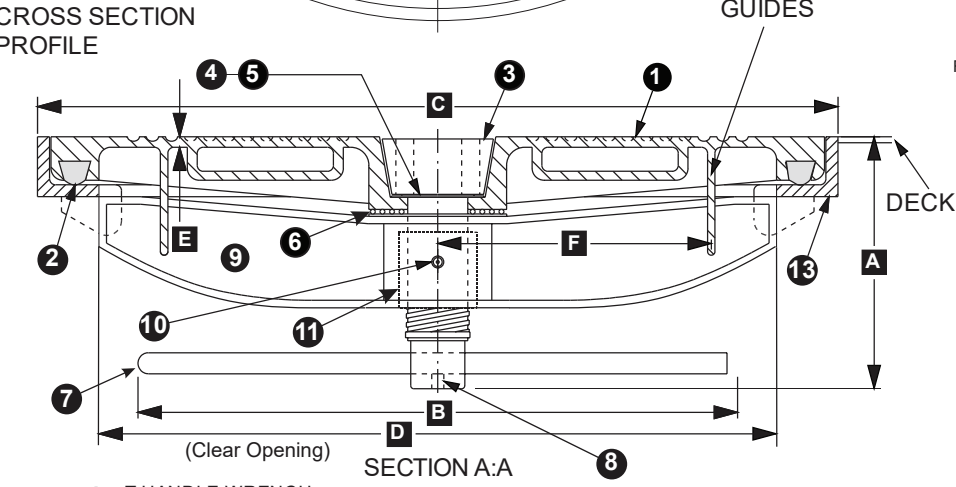
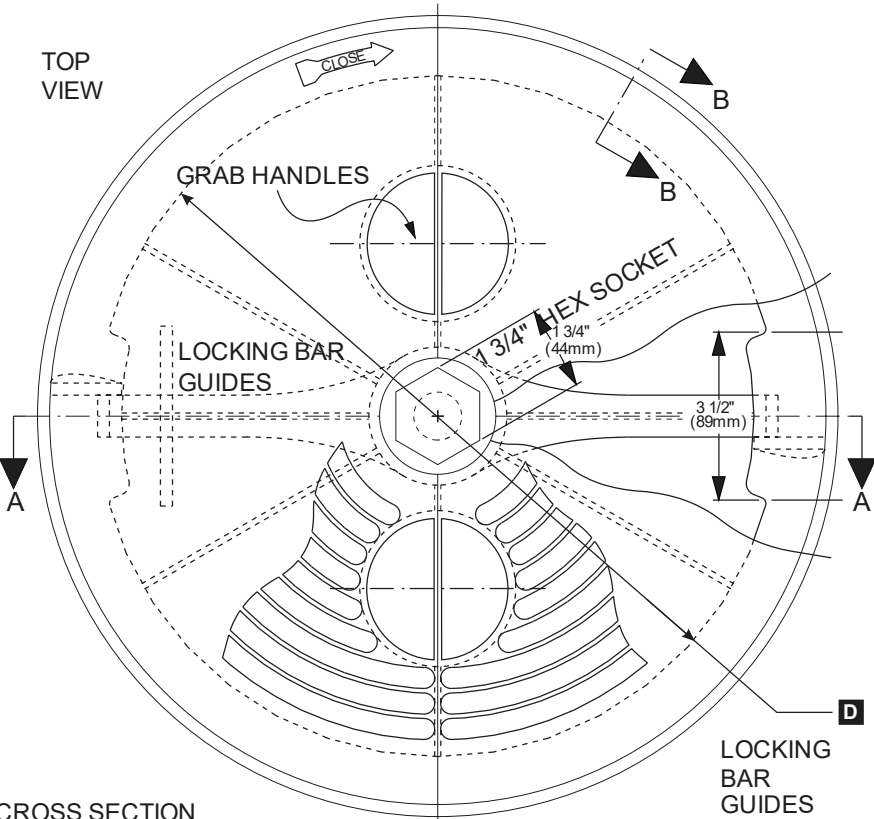
BFHR16A/S with Galvanized Steel Deck Ring

When ordering please specify:

Cover Material:
cast aluminum or galvanized steel
Ring Material:
cast aluminum, galvanized steel or stainless steel



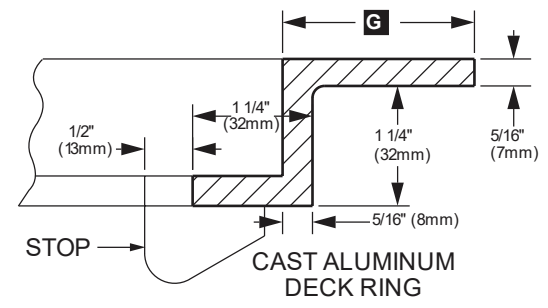
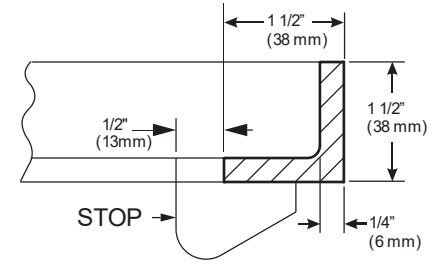
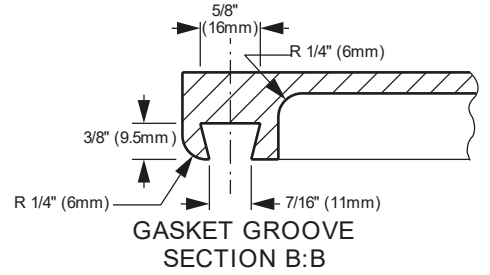
Hatch Covers Available Separately



BILL OF MATERIAL: 08863-101

| # | DESCRIPTION | MAT | P/N |
|-------------------------------------------------|-----------------|-------|-----------------|
| Cover Kit (parts & kits below AL,ST) SEE MATRIX | | | |
| 1 | COVER | AL,ST | SEE MATRIX |
| 2 | GASKET | NEO | SEE MATRIX |
| Centerbolt Kit (parts below) UP-CB-HEX-SS-KIT | | | |
| 3 | BOLT (1 1/2" Ø) | SS | 08861-204A |
| 4 | WASHER | SS | 08861-206A |
| 5 | WASHER | NEO | 08861-701A |
| 6 | SPRING | SS | 08861-805A |
| 7 | ROD (1/2" Ø) | ST | 08861-205A |
| 8 | ALLEN SET SCREW | SS | 06122-801B |
| Strongback Kit (parts below AL,ST) SEE MATRIX | | | |
| 9 | STRONGBACK | AL,ST | SEE MATRIX |
| 10 | LUBE ZERK | ZNST | 08790-803A |
| 11 | THREADED INSERT | BR | 08861-209B |
| 12 | WRENCH | GALV | UP-WRNCH-HEX-ST |
| 13 | DECK RING AL | AL | SEE MATRIX |
| 13 | DECK RING ST | ST | SEE MATRIX |
| 13 | DECK RING SS | SS | SEE MATRIX |
| 13 | DECK RING BLACK | SB | SEE MATRIX |

| MATERIAL KEY | |
|--------------|-------------------|
| SS | - STAINLESS STEEL |
| AL | - ALUMINUM |
| ST | - GALV. STEEL |
| SB | - BLACK STEEL |
| ZNST | - ZINC PLATED ST |
| BR | - BRONZE |
| NEO | - NEOPRENE |



12 T-HANDLE WRENCH
SEE DRAWING ON BFHR24 - 08861-101

BFHR HATCH SIZE PART NUMBER MATRIX

| Model Number | BFHR20 | BFHR18 | BFHR16 | BFHR14 |
|--------------|-----------------|-----------------|-----------------|---------------------------------|
| Assy P/N | 08861-191 | 08863-101 | 08863-121 | 08863-131 |
| Material | AL / ST | AL / ST | AL / ST | COVER AL ONLY DECKRING AL/ST |
| Cover Assy | 08861-192A / B | 08863-102A / B | 08863-122A / B | 08863-132A |
| Cover | 08861-291A / B | 08863-201A / B | 08863-221A / B | 08863-231A |
| Gasket | 08861-702A | 08863-702A | 08863-704A | 08863-703A |
| Strongback | 08861-198A / B | 08863-118A / B | 08863-128A / B | 08863-138A |
| Deck Ring AL | 08861-233A | 08863-203A | 08863-223A | 08863-233A |
| Deck Ring* | 08861-297A,B,C* | 08863-207A,B,C* | 08863-227A,B,C* | 08863-237A,B,C* |

* A - Galvanized Steel, B - Black Steel, C - Stainless Steel

HATCH WEIGHTS LBS. (KGS)

| Model Number | BFHR20 | | BFHR18 | | BFHR16 | | BFHR14 | |
|--------------|-----------|-------------|-----------|-----------|---------|-----------|----------|---------|
| Material | AL | ST | AL | ST | AL | ST | AL | ST |
| Cover | 28 (12.7) | 77.5 (35.2) | 23 (10.5) | 64.5 (29) | 22 (10) | 56 (25.4) | 20 (9.1) | NA |
| Deck Ring | 13 (6) | 11 (5) | 11 (4.5) | 10 (4.5) | 8 (3.6) | 9 (4.1) | 7 (3.2) | 8 (3.6) |

IMPORTANT: WHEN ORDERING, PLEASE SPECIFY OUTSIDE DIAMETER (C) OR CLEAR OPENING (D). UNITS ARE IDENTIFIED BY CLEAR OPENING.

DIMENSIONS INCHES (mm)

| Model | A | B | C | D | E | F | G |
|--------|-------------|--------------|--------------|----------|------------|-------------|------------|
| BFHR20 | 5 1/2 (140) | 12 1/2 (318) | 22 3/4 (578) | 20 (508) | 7/32 (5.6) | 8 1/2 (216) | 2 1/2 (64) |
| BFHR18 | 5 1/2 (140) | 12 1/2 (318) | 20 3/4 (527) | 18 (457) | 7/32 (5.6) | 7 1/4 (184) | 2 (51) |
| BFHR16 | 5 1/2 (140) | 12 1/2 (318) | 18 3/4 (476) | 16 (406) | 7/32 (5.6) | 6 1/4 (159) | 2 (51) |
| BFHR14 | 5 1/2 (140) | 12 1/2 (318) | 16 3/4 (424) | 14 (356) | 7/32 (5.6) | 6 1/4 (159) | 2 (51) |

BAIER Marine Company, Inc.
1-800-455-3917
206-632-2441 (FAX)
sales@baiermarine.com

BAIER FLUSH HATCH
LIFT-OUT PLAIN DOGGED TYPE
WITH GRAB HANDLES
TYPE "C" POSITIVE LOCKING
**MODEL: BFHR20, BFHR18,
BFHR16, BFHR14** DWG. NO. 286-1