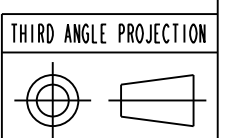
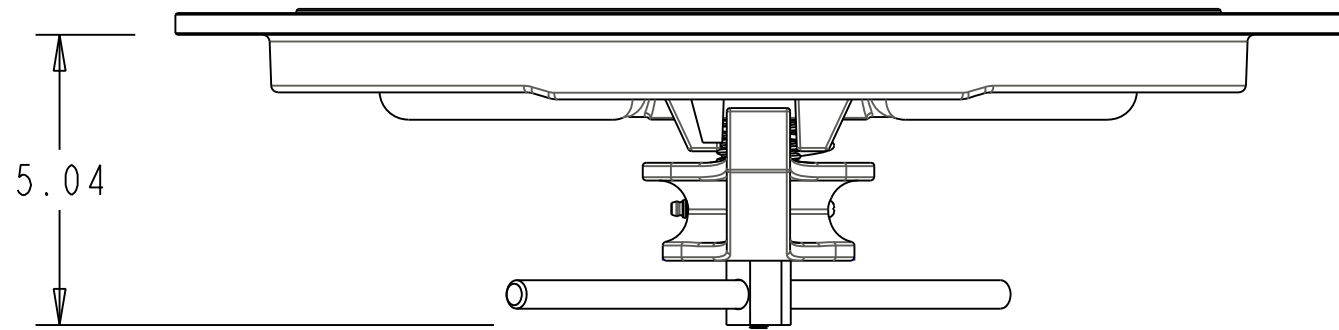
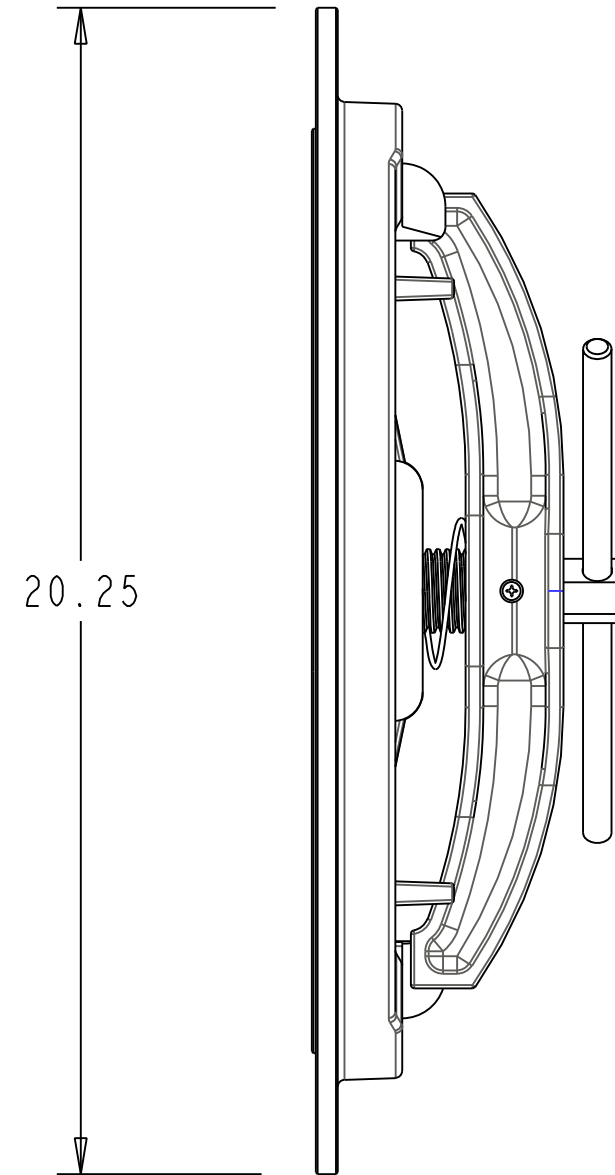
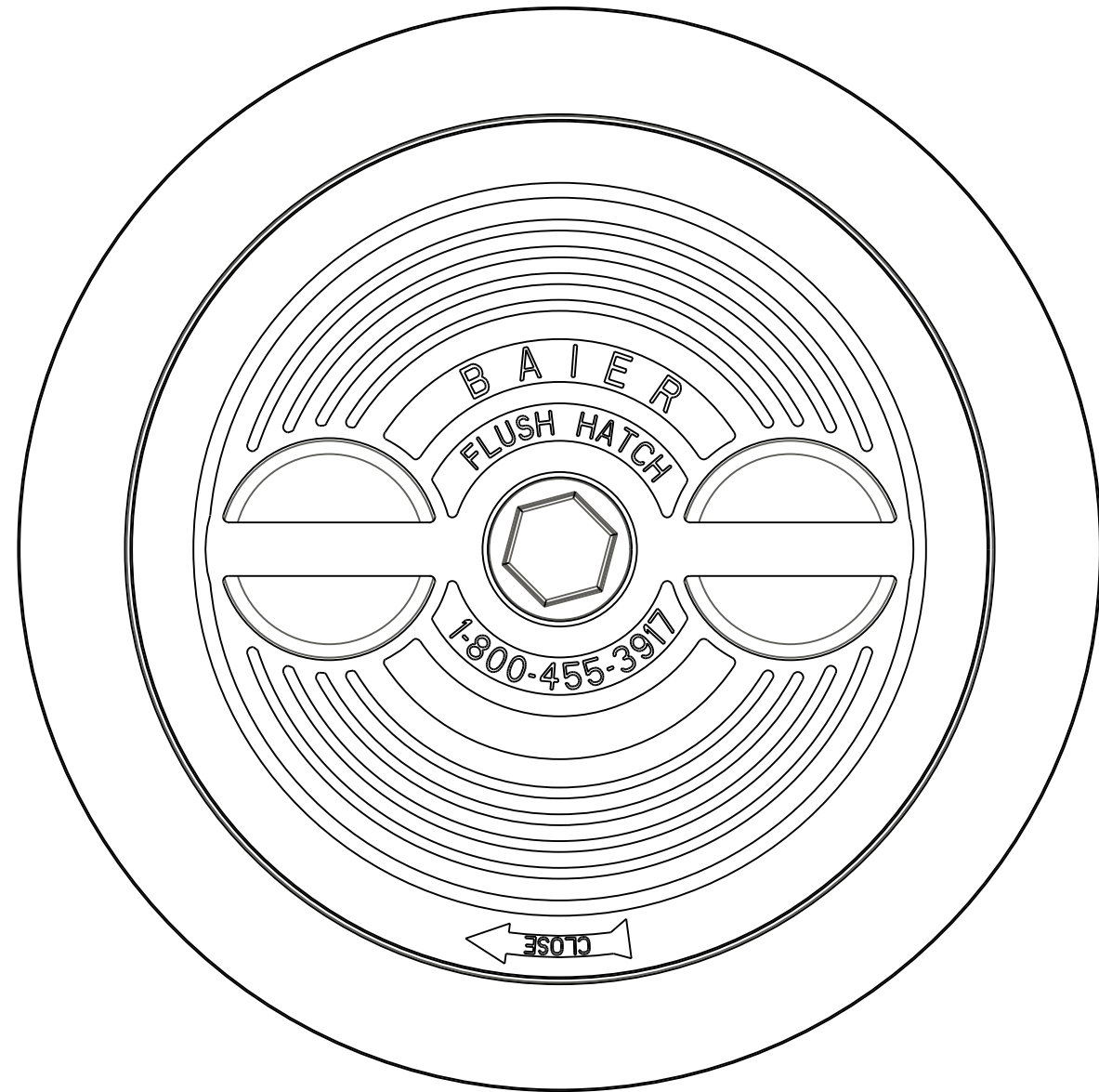




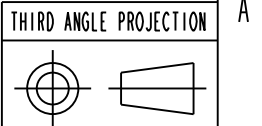
BAIER MARINE
 BFHR14A-A
 REF 08863-131A



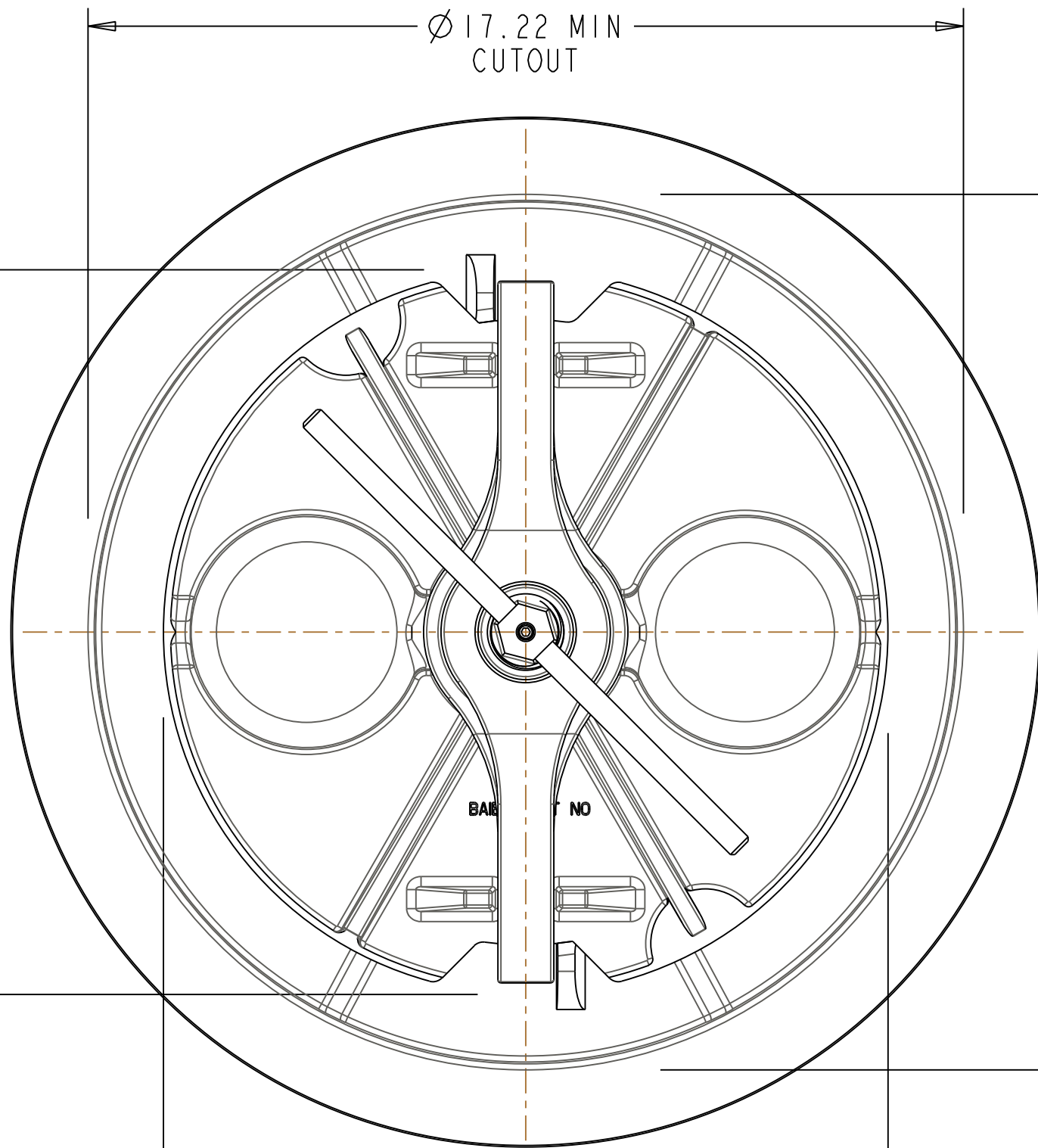
UNIVERSAL MOTION COMPONENTS Co. Inc. 2920 Airway Ave., Costa Mesa, CA 92626		DWN ELSIE DT 05/05/10	DWG NO. BFHR14A-A SCALE 0.300	REV A SHEET 1 OF 3
--	--	--------------------------	----------------------------------	-----------------------



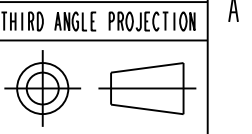
BAIER MARINE
 BFHR14A-A
 REF 08863-131A



UNIVERSAL MOTION COMPONENTS Co. Inc. 2920 Airway Ave., Costa Mesa, CA 92626		DWN ELSIE DT 05/05/10	DWG NO. BFHR14A-A SCALE 0.300	REV A SHEET 2 OF 3
--	--	--------------------------	----------------------------------	-----------------------



BAIER MARINE
 BFHR14A-A
 REF 08863-131A



UNIVERSAL MOTION COMPONENTS Co. Inc. 2920 Airway Ave., Costa Mesa, CA 92626	DWN ELSIE DT 05/05/10	DWG NO. BFHR14A-A SCALE 0.350	REV X SHEET 3 OF 3
--	--------------------------	----------------------------------	-----------------------