

BFHR14 - Flush Deck Hatch | Hex Centerbolt | Round 14" | Aluminum, Steel

The popular "Classic" Baier Flush Hatch™ is the flush-mounted, quick release, lift-out hatch with grab handles as shown. It has long been standard equipment on fish boats, tugs, barges, workboats, and other marine vessels, as well as many U.S. Navy and U.S. and Canadian Coast Guard vessels.

FEATURES

- Cast Hatch Cover
- Cast Strongback
- Stainless Steel Hex Centerbolt and hardware Neoprene Cover Gasket and Washers (Buna-N optional)
- Cast / fabricated matching Deck Ring
- Every unit shipped with an underside escape turning bar for safety (turning wheel optional)
- Detachable Hex wrench used for quick operation, can be stored separately for security



STRENGTH, SIMPLICITY and SECURITY

The ultimate in strength and simplicity, Baier's original patented strongback system has only two moving parts to secure the hatch cover to the deck. It is superior to other more complicated hatch closure systems in that it is simpler, stronger, more reliably watertight, infinitely adjustable from topside, and more easily serviced (parts are readily available and replaced in the field). Importantly, the recessed hex centerbolt and grab handles offer no snags for nets, lines or hardware.

MATERIALS

The Classic Model BFH hatch product line is available in both cast aluminum and cast steel. Baier is the only company to offer steel hatch covers which is stronger, more durable, and more impact resistant when compared to iron hatches, especially in cold climates. All of our Steel Cover assemblies and deck rings are hot dip galvanized for superior corrosion resistance. The deck ring is available in galvanized mild steel (for welding into steel decks), or cast aluminum (for welding into aluminum decks or bolting to fiberglass or wood decks). Cast stainless steel hatches and fabricated stainless deck rings are available by special order.

Model	Cutout in.(mm)	Material	Autocad PDF/DXF
BFHR14A/A	17.22"	Aluminum / Aluminum	BFHR14A-A
BFHR14A/S	?	Aluminum / Steel	
BFHR14A/SS	?	Aluminum / Stainless Steel	



BFHR16A/A with Cast Aluminum Deck Ring

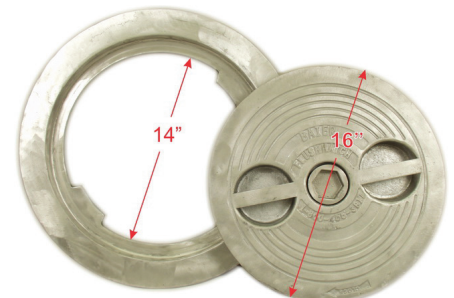


BFHR16A/S with Galvanized Steel Deck Ring

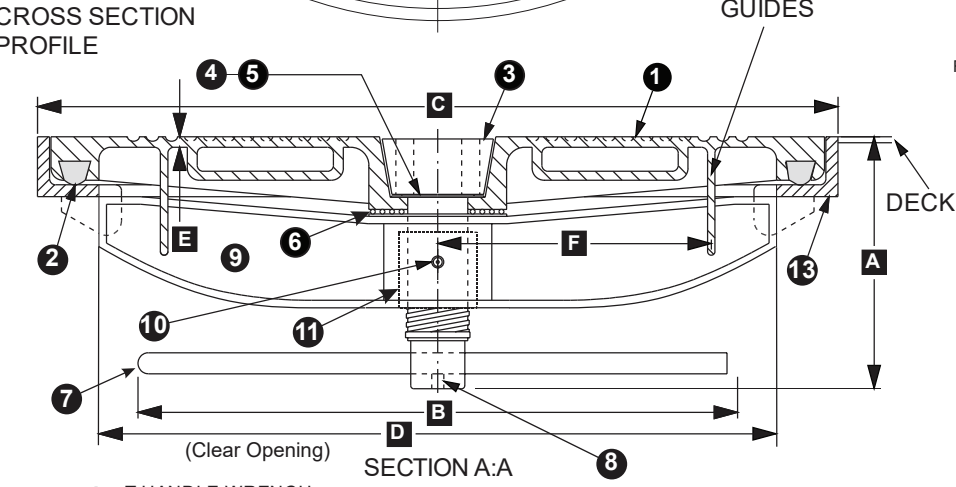
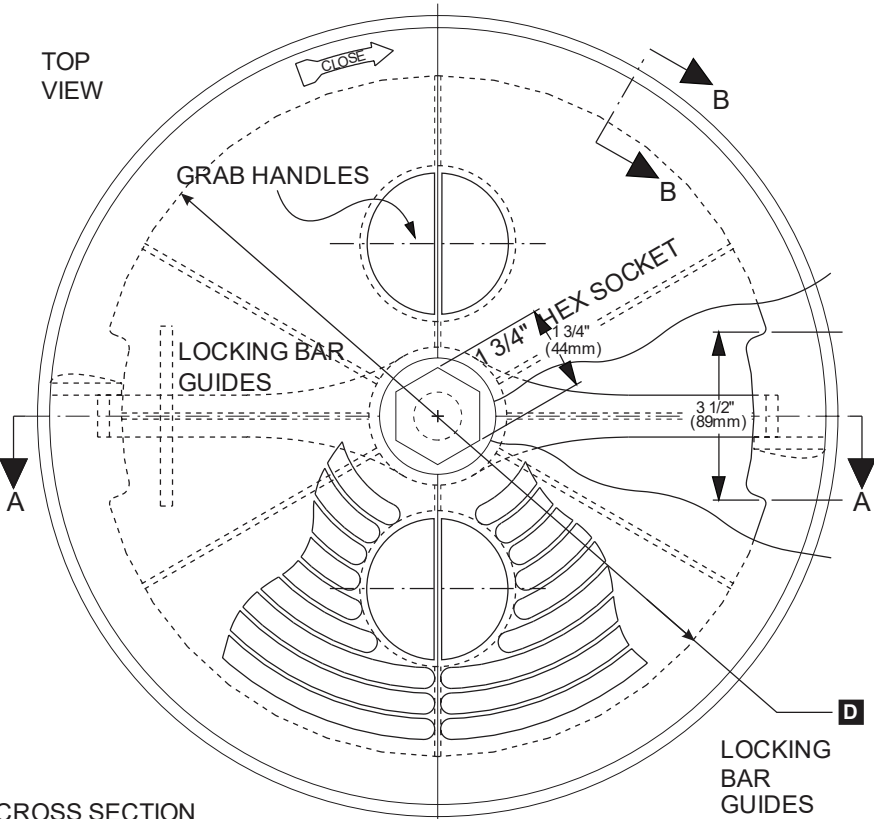
When ordering please specify:

Cover Material:
cast aluminum only

Ring Material:
cast aluminum,
galvanized steel or
stainless steel



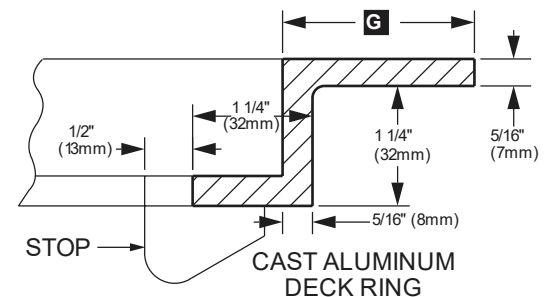
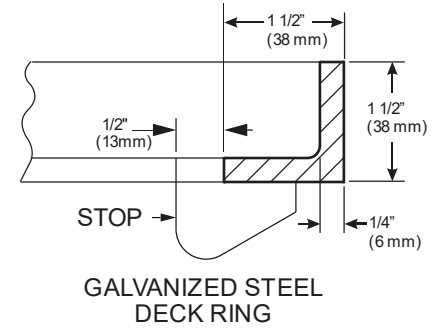
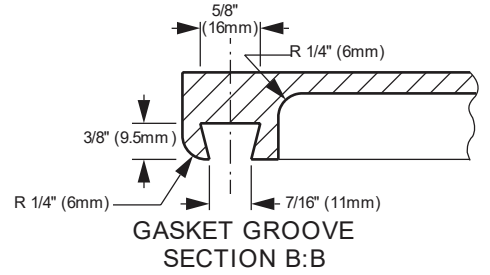
Hatch Covers Available Separately



BILL OF MATERIAL: 08863-101

#	DESCRIPTION	MAT	P/N
Cover Kit (parts & kits below AL,ST) SEE MATRIX			
1	COVER	AL,ST	SEE MATRIX
2	GASKET	NEO	SEE MATRIX
Centerbolt Kit (parts below) UP-CB-HEX-SS-KIT			
3	BOLT (1 1/2" Ø)	SS	08861-204A
4	WASHER	SS	08861-206A
5	WASHER	NEO	08861-701A
6	SPRING	SS	08861-805A
7	ROD (1/2" Ø)	ST	08861-205A
8	ALLEN SET SCREW	SS	06122-801B
Strongback Kit (parts below AL,ST) SEE MATRIX			
9	STRONGBACK	AL,ST	SEE MATRIX
10	LUBE ZERK	ZNST	08790-803A
11	THREADED INSERT	BR	08861-209B
12	WRENCH	GALV	UP-WRNCH-HEX-ST
13	DECK RING AL	AL	SEE MATRIX
13	DECK RING ST	ST	SEE MATRIX
13	DECK RING SS	SS	SEE MATRIX
13	DECK RING BLACK	SB	SEE MATRIX

MATERIAL KEY
 SS - STAINLESS STEEL
 AL - ALUMINUM
 ST - GALV. STEEL
 SB - BLACK STEEL
 ZNST - ZINC PLATED ST
 BR - BRONZE
 NEO - NEOPRENE



12 T-HANDLE WRENCH
SEE DRAWING ON BFHR24 - 08861-101

BFHR HATCH SIZE PART NUMBER MATRIX

Model Number	BFHR20	BFHR18	BFHR16	BFHR14
Assy P/N	08861-191	08863-101	08863-121	08863-131
Material	AL / ST	AL / ST	AL / ST	COVER AL ONLY DECKRING AL/ST
Cover Assy	08861-192A / B	08863-102A / B	08863-122A / B	08863-132A
Cover	08861-291A / B	08863-201A / B	08863-221A / B	08863-231A
Gasket	08861-702A	08863-702A	08863-704A	08863-703A
Strongback	08861-198A / B	08863-118A / B	08863-128A / B	08863-138A
Deck Ring AL	08861-233A	08863-203A	08863-223A	08863-233A
Deck Ring*	08861-297A,B,C*	08863-207A,B,C*	08863-227A,B,C*	08863-237A,B,C*

* A - Galvanized Steel, B - Black Steel, C - Stainless Steel

HATCH WEIGHTS LBS. (KGS)

Model Number	BFHR20		BFHR18		BFHR16		BFHR14	
Material	AL	ST	AL	ST	AL	ST	AL	ST
Cover	28 (12.7)	77.5 (35.2)	23 (10.5)	64.5 (29)	22 (10)	56 (25.4)	20 (9.1)	NA
Deck Ring	13 (6)	11 (5)	11 (4.5)	10 (4.5)	8 (3.6)	9 (4.1)	7 (3.2)	8 (3.6)

IMPORTANT: WHEN ORDERING, PLEASE SPECIFY OUTSIDE DIAMETER (C) OR CLEAR OPENING (D). UNITS ARE IDENTIFIED BY CLEAR OPENING.

DIMENSIONS INCHES (mm)

Model	A	B	C	D	E	F	G
BFHR20	5 1/2 (140)	12 1/2 (318)	22 3/4 (578)	20 (508)	7/32 (5.6)	8 1/2 (216)	2 1/2 (64)
BFHR18	5 1/2 (140)	12 1/2 (318)	20 3/4 (527)	18 (457)	7/32 (5.6)	7 1/4 (184)	2 (51)
BFHR16	5 1/2 (140)	12 1/2 (318)	18 3/4 (476)	16 (406)	7/32 (5.6)	6 1/4 (159)	2 (51)
BFHR14	5 1/2 (140)	12 1/2 (318)	16 3/4 (424)	14 (356)	7/32 (5.6)	6 1/4 (159)	2 (51)

BAIER Marine Company, Inc.
 1-800-455-3917
 206-632-2441 (FAX)
 sales@baiermarine.com

BAIER FLUSH HATCH
 LIFT-OUT PLAIN DOGGED TYPE
 WITH GRAB HANDLES
 TYPE "C" POSITIVE LOCKING
**MODEL: BFHR20, BFHR18,
 BFHR16, BFHR14** DWG. NO. 286-1