

8

7

6

5

4

3

2

1

D

D

C

C

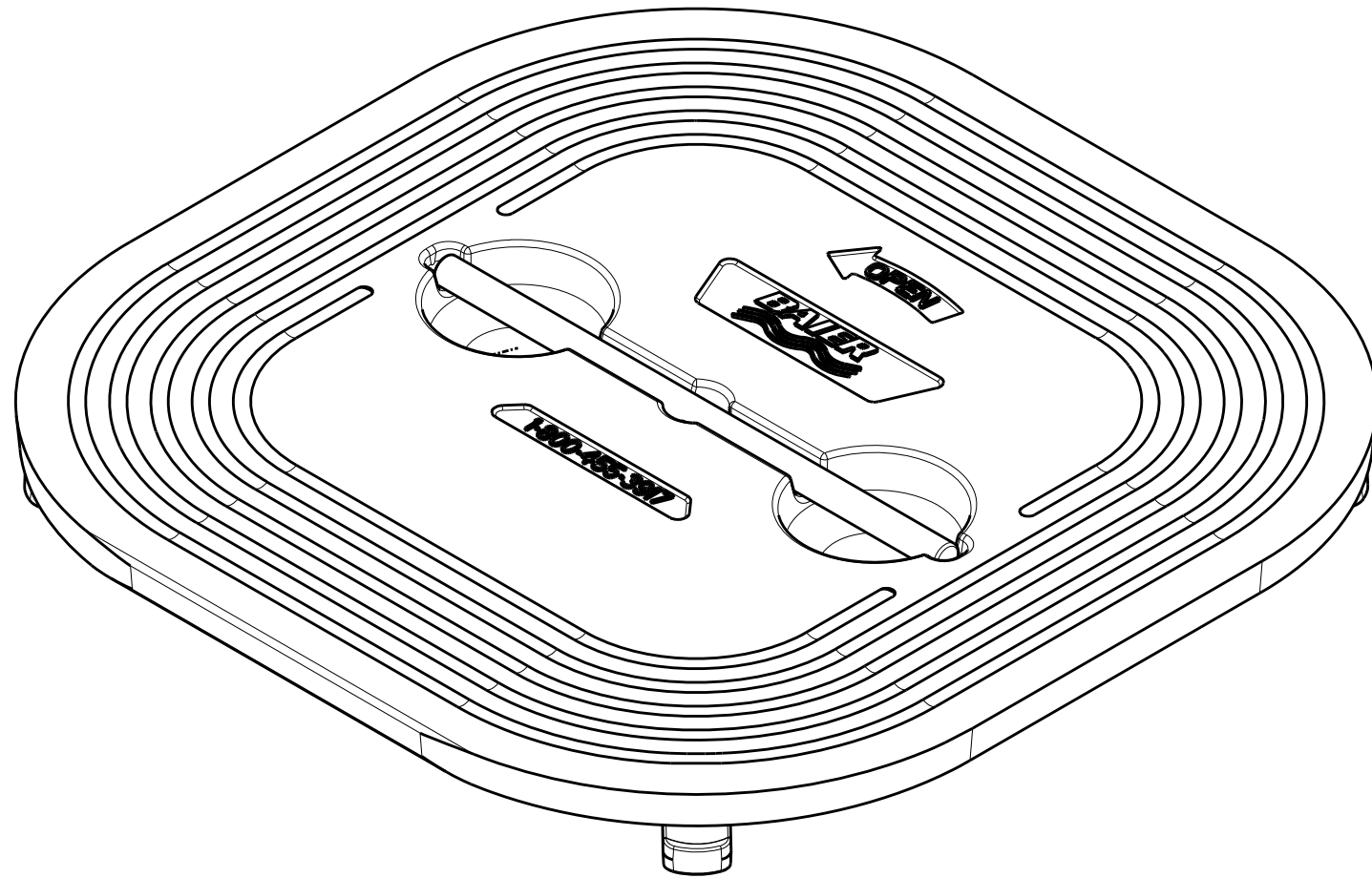
B

B

A

A

REVISIONS					
REV	ECN	ECR-TN	DESCRIPTION	DATE	APR
A	16-00209	N/A	INITIAL RELEASE	08/19/16	RCL



ISOMETRIC VIEW

QTY	DESCRIPTION	PART NO	ITEM
4	NUT, NYLOCK M10 X 1.5 S.S.	08864-807A	12
4	WASHER, .43 ID X 1.25 OD S.S.	08864-805A	11
1	BUSHING ASSY, HANDLE	08864-804A	10
4	WASHER, BUSHING	08864-803A	9
4	STUD, M10 X 1.5P X 2.75LG S.S.	08864-802A	8
1	PIN, .8mm DIA X 2.25LG S.S.	08864-801A	7
1	O-RING, #210 NITRILE, .75 ID X 1.0 OD	08864-702A	6
1	HANDLE WELDMENT QA 24	08864-402A	5
4	DOG, LOCKING 24 SQ	08864-242A	4
1	T-HANDLE, QUICK ACTING	08864-213A	3
1	COVER-GASKET KIT, T-HANDLE, AL #700, 24" X 24"	08864-143A	2
1	DOG HUB ASSY	08864-102A	1

THE INFORMATION CONTAIN IN THIS DOCUMENT IS PROPRIETARY AND SHALL NOT BE REPRODUCED OR USED FOR ANY PURPOSE WITHOUT THE WRITTEN APPROVAL OF BAIER MARINE CO., INC.			
2920 Airway Ave., Costa Mesa, CA 92626		TITLE COVER ASSY, QA, AL 24" X 24"	
PRO/E THIRD ANGLE PROJECTION		DWN BAE DT 01/08/16 CK DT APR DT	SIZE B DWG NO. BFHQTH24X24A SCALE 1:4 AND NOTED
UMC P/N REF 08864-142A	3	2	REV A SHEET 1 OF 3

8

7

6

5

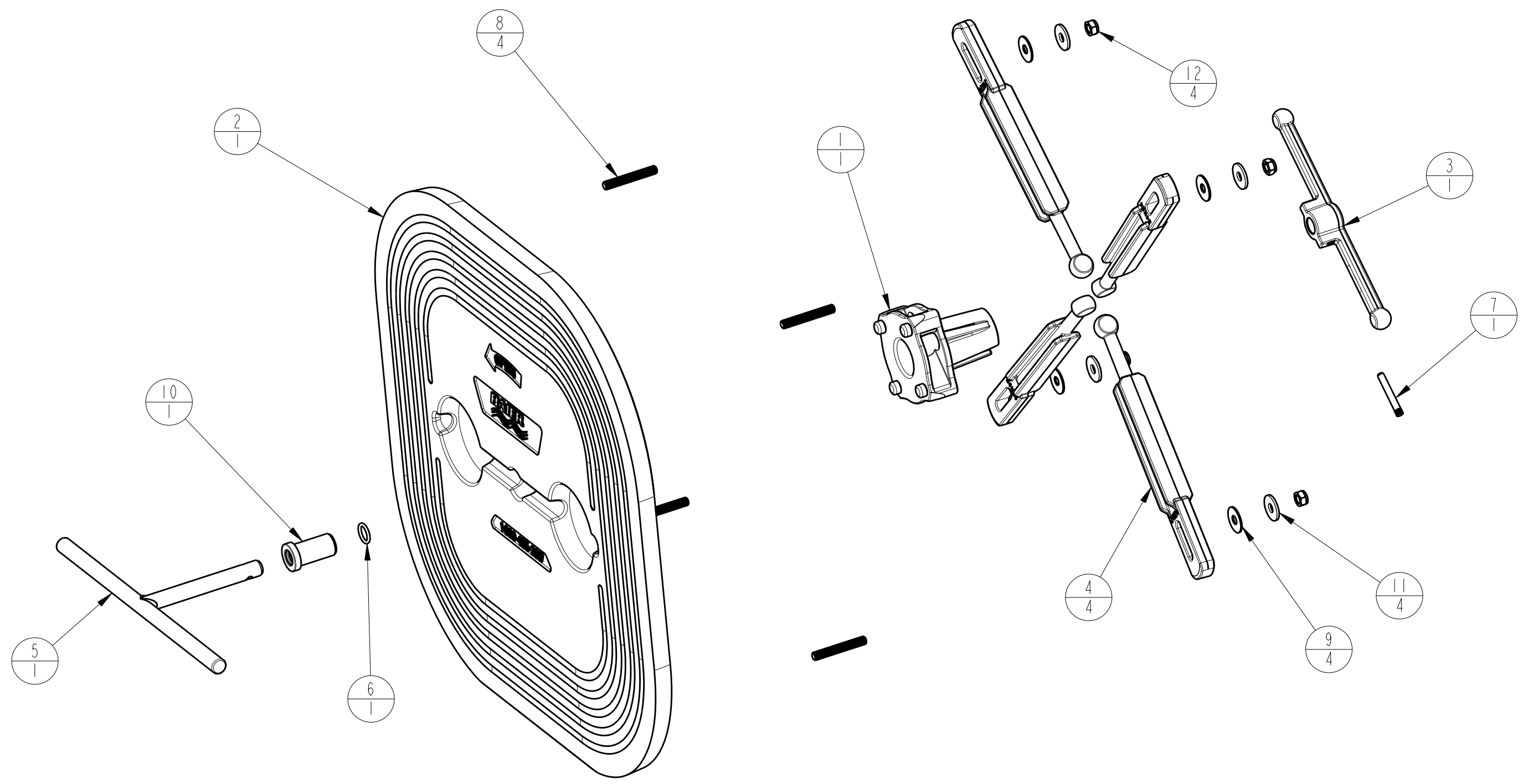
4

3

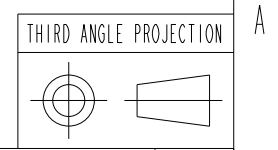
2

1

REVISIONS					
REV	ECN	ECR-TN	DESCRIPTION	DATE	APR
A	16-00209	N/A	SEE SHEET 1	08/19/16	RCL

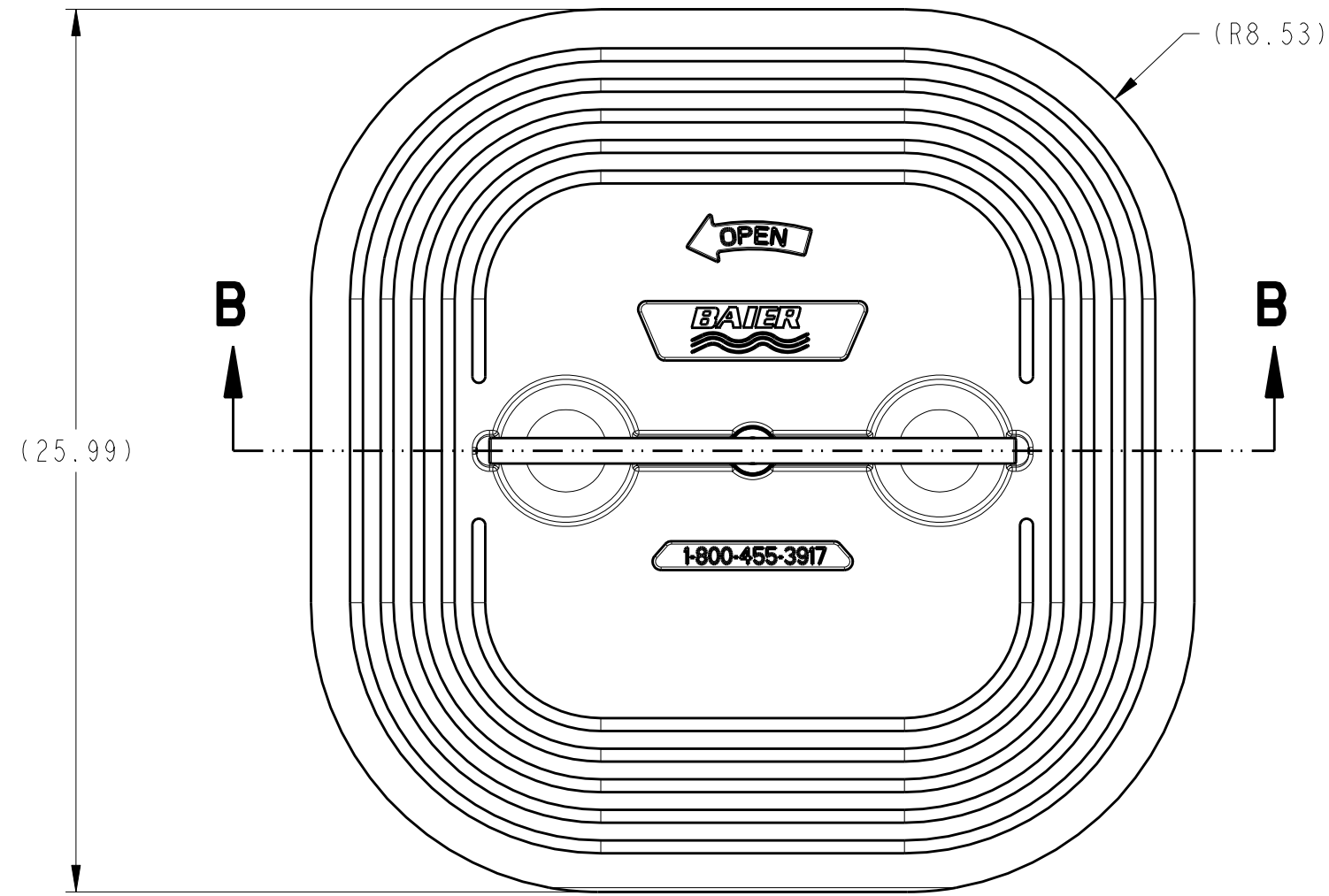


EXPLODED VIEW

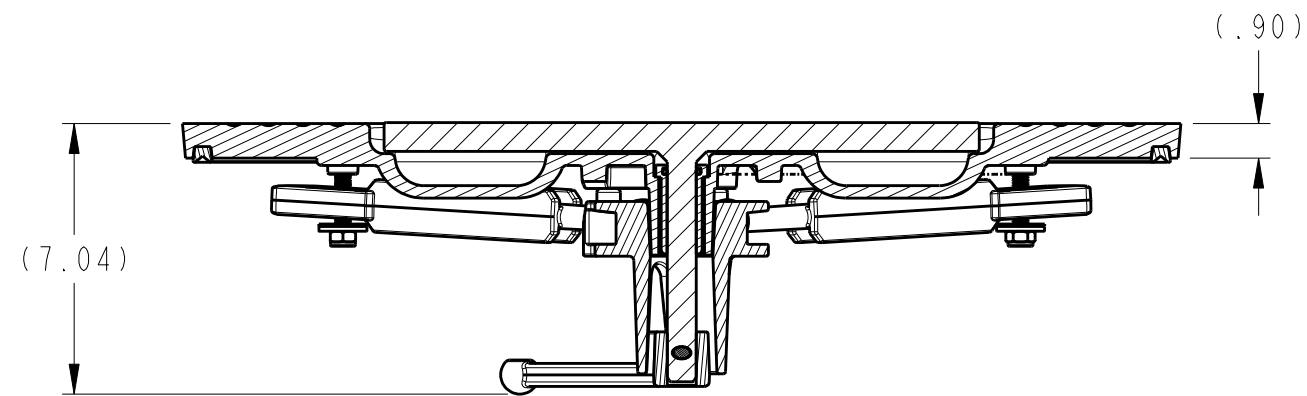


BAIER MARINE Co., Inc. 2920 Airway Ave., Costa Mesa, CA 92626		DWN DT	DWG NO. BFHQTH24X24A	REV A
		SCALE 1:5	SHEET 2	OF 3

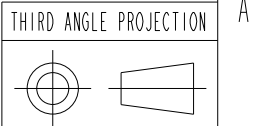
REVISIONS					
REV	ECN	ECR-TN	DESCRIPTION	DATE	APR
A	16-00209	N/A	SEE SHEET 1	08/19/16	RCL



TOP VIEW



SECTION B-B



BAIER MARINE Co., Inc. 2920 Airway Ave., Costa Mesa, CA 92626		DWN DT	DWG NO. BFHQTH24X24A	REV A
SCALE 1:5		SHEET 3 OF 3		