

### **BFHQTH24X24 - Watertight Hatch | Quick Acting | Square 24" X 24" | Aluminum**

These light-weight, quick-acting 4-dog models are ideal for high-traffic closures where speed and ease are paramount, and/or where positive engagement must be visually verifiable at a glance. The design is especially popular on aluminum boats, fishing and other workboats, as well as many U.S. Navy and U.S. and Canadian Coast Guard vessels.

#### FEATURES

- Adjustable Dog Tensioners that provide equal tension on all points, ensure a water-tight seal
- Built-in "Never Lose" handle
- A simple 1/8th-turn of the handle provides smooth, easy and secure engagement
- Thicker Dog Arms for superior strength
- Positive visual verification: When the handle is down, the hatch is secured
- Inside escape bar on all units (optional inside turning wheel available)
- Subtle design improvements make the BFHQ stronger, more water-tight than our competitors' similar units



#### Shared With Classic HEX-Bolt Series:

- Cast from high-grade corrosion-resistant 356 aluminum alloy (ASTM B26)
- Maximum durability, stronger deck strength and impact resistance
- Stainless steel T-handle and operating hardware
- Dissimilar metals isolated by neoprene and nylon

#### MATERIALS

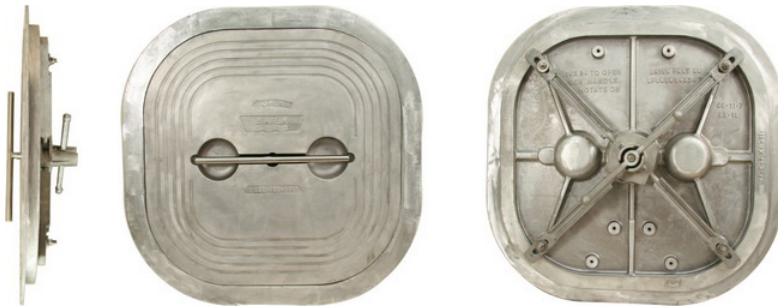
Currently, the 4-dog BFHQ series hatch cover assemblies are available only in cast aluminum. However, the deck rings for the BFHQ are the same size as the Strongback models, and are available in galvanized mild steel or cast aluminum. Stainless Steel deck rings are available by special order.

#### WATER-TIGHT:

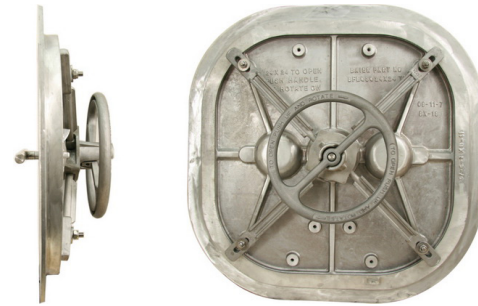
- Machined surfaces and superior casting processes control tolerances
- Neoprene cover gasket and sealing ring ensure tight seal



This hatch is ABS Certified for use on ABS classed vessels or facilities by the American Bureau of shipping.



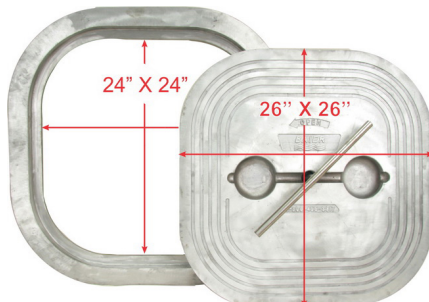
BFHQTH24X24A/A with Cast Aluminum Deck Ring



BFHQTH24X24A/S with Optional Handwheel

When ordering please specify:

Cover Material: cast aluminum only  
Ring Material: cast aluminum, galvanized steel, or stainless steel.



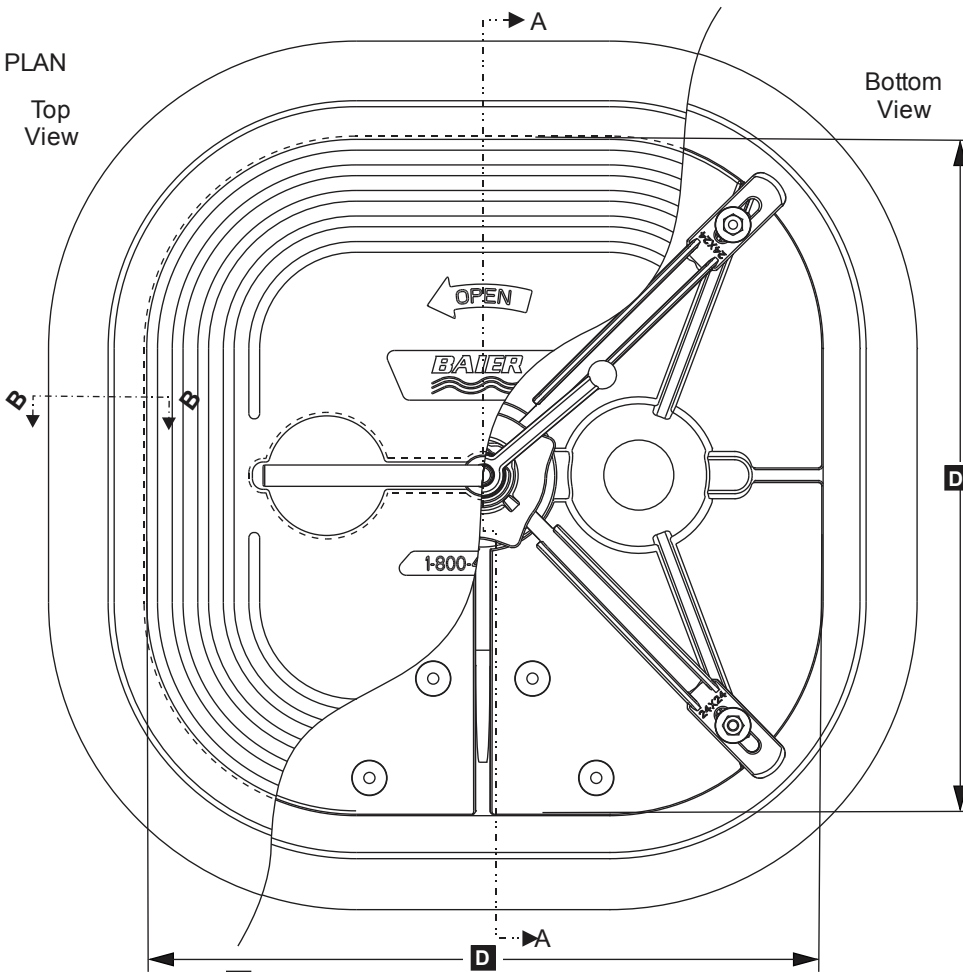
Hatch Covers Available Separately

| Model Number    | Cutout Dimension in. (mm) | Hatch Material              | Autocad PDF/DXF                          |
|-----------------|---------------------------|-----------------------------|------------------------------------------|
| BFHQTH24X24A/A  |                           | Aluminium / Aluminium       | <a href="#">BFHQTH24X24A-A DXF (ZIP)</a> |
| BFHQTH24X24A/S  |                           | Aluminium / Steel           |                                          |
| BFHQTH24X24A/SS |                           | Aluminium / Stainless Steel |                                          |

PLAN

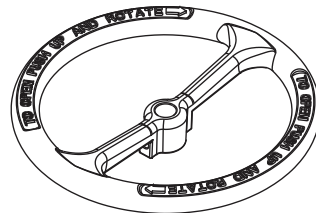
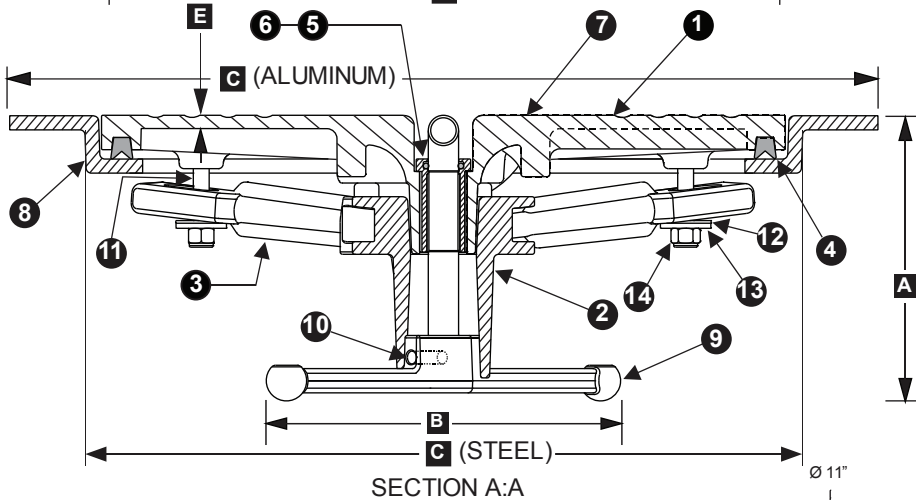
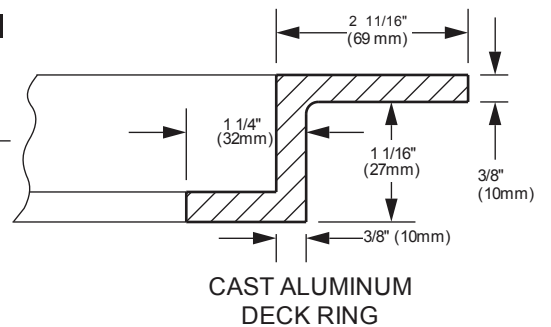
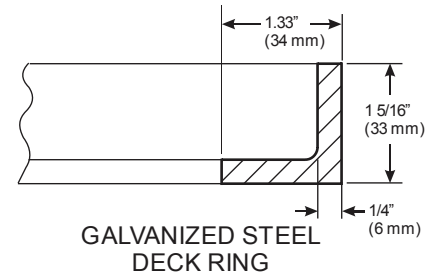
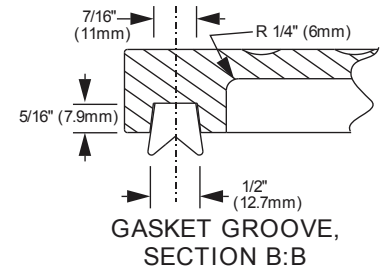
Top View

Bottom View



| BILL OF MATERIAL: 08864-141 |                    |     |            |
|-----------------------------|--------------------|-----|------------|
| #                           | DESCRIPTION        | MAT | P/N        |
| 1                           | COVER              | AL  | 08864-241A |
| 2                           | DOG HUB ASSY       | AL  | 08864-102A |
| 3                           | (4) DOG ARM        | AL  | 08864-209A |
| 4                           | GASKET             | NEO | 08864-706A |
| 5                           | BUSHING            | SS  | 08864-804A |
| 6                           | O-RING             | NEO | 08864-702A |
| 7                           | T-HANDLE           | SS  | 08864-401A |
| 8                           | DECK RING AL       | AL  | 08861-243A |
| 8                           | DECK RING ST       | ST  | 08861-247A |
| 9                           | ESCAPE HANDLE      | AL  | 08864-213A |
| 10                          | HANDLE PIN         | SS  | 08864-801A |
| 11                          | (4) THREADED POST  | SS  | 08864-802A |
| 12                          | (4) WASHER         | SS  | 08864-805A |
| 13                          | (4) WASHER         | UP  | 08864-803A |
| 14                          | (4) NYLOCK NUT M10 | SS  | 08864-807A |

| MATERIAL KEY |                 |
|--------------|-----------------|
| AL           | ALUMINUM        |
| ST           | GALV. STEEL     |
| SS           | STAINLESS STEEL |
| UP           | UHMW POLY       |
| NEO          | NEOPRENE        |



OPTIONAL: ESCAPE HANDWHEEL  
(REPLACES ESCAPE HANDLE)

IMPORTANT: WHEN ORDERING, PLEASE SPECIFY  
OUTSIDE DIAMETER (C) OR CLEAR OPENING (D).  
UNITS ARE IDENTIFIED BY CLEAR OPENING.

| HATCH WEIGHTS LBS. (KGMS)* |             |          |  |
|----------------------------|-------------|----------|--|
| Model Number               | BFHQTH24X24 |          |  |
| Material                   | AL          | ST       |  |
| Cover                      | 44 (20)     | N/A      |  |
| Deck Ring                  | 12 (5.4)    | 15 (6.8) |  |

| Model Number | DIMENSIONS INCHES (mm) |             |                   |                 |             |             |
|--------------|------------------------|-------------|-------------------|-----------------|-------------|-------------|
|              | A                      | B           | C (ST)            | C (AL)          | D           | E           |
| BFHQTH20     | 7 1/16<br>(179)        | 12<br>(305) | 26 11/16<br>(677) | 30 1/2<br>(774) | 24<br>(610) | 5/16<br>(8) |

**BAIER** Marine Company, Inc.  
 1-800-455-3917  
 206-632-2441 (FAX)  
 sales@baiermarine.com

**BAIER FLUSH HATCH**  
 LIFT-OUT MULTI-DOGGED TYPE  
 WITH BUILT-IN T-HANDLE  
 TYPE "D" QUICK ACTING  
 POSITIVE LOCK  
**MODEL BFHQTH24X24**

DWG. 08864-141