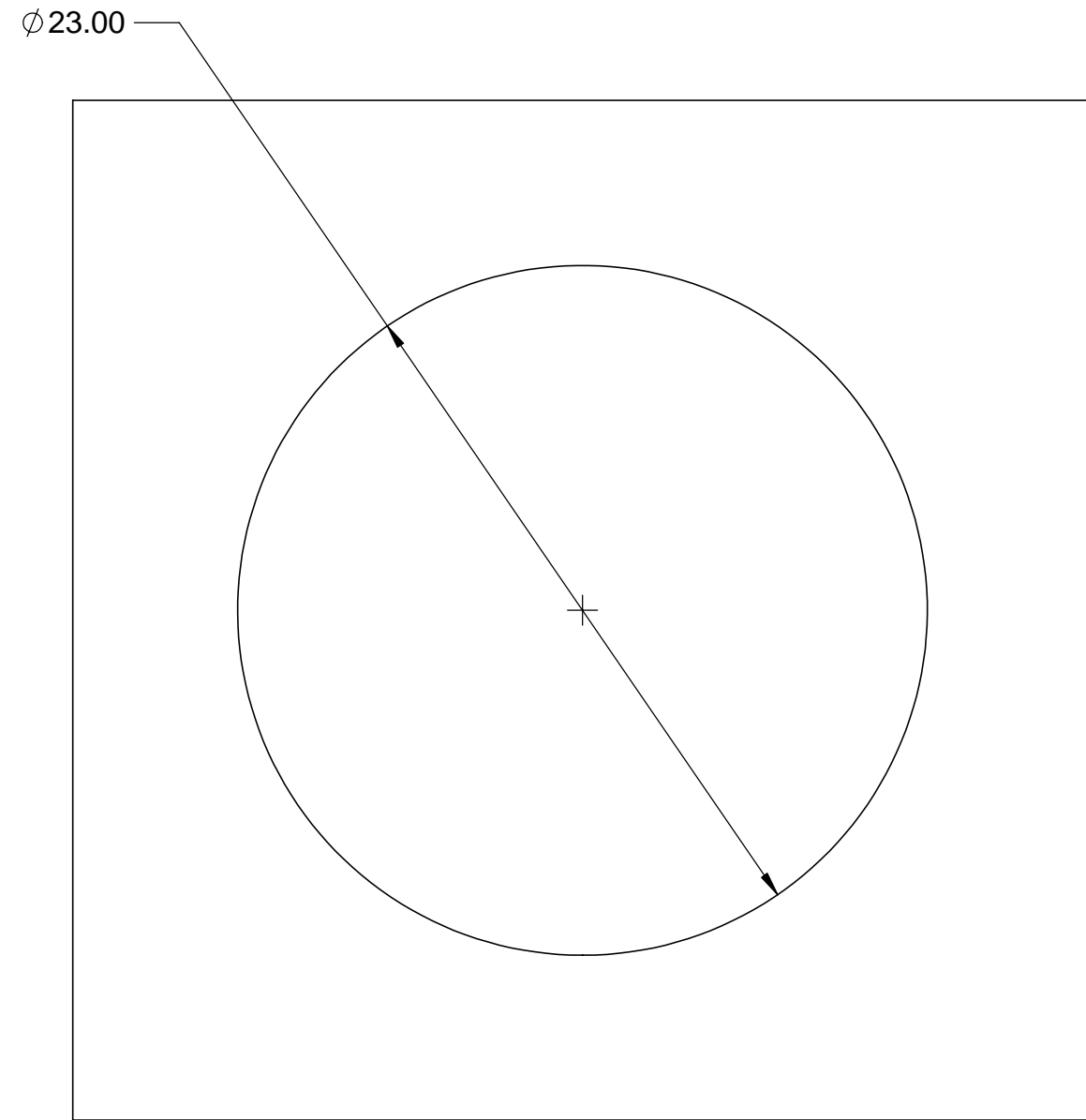
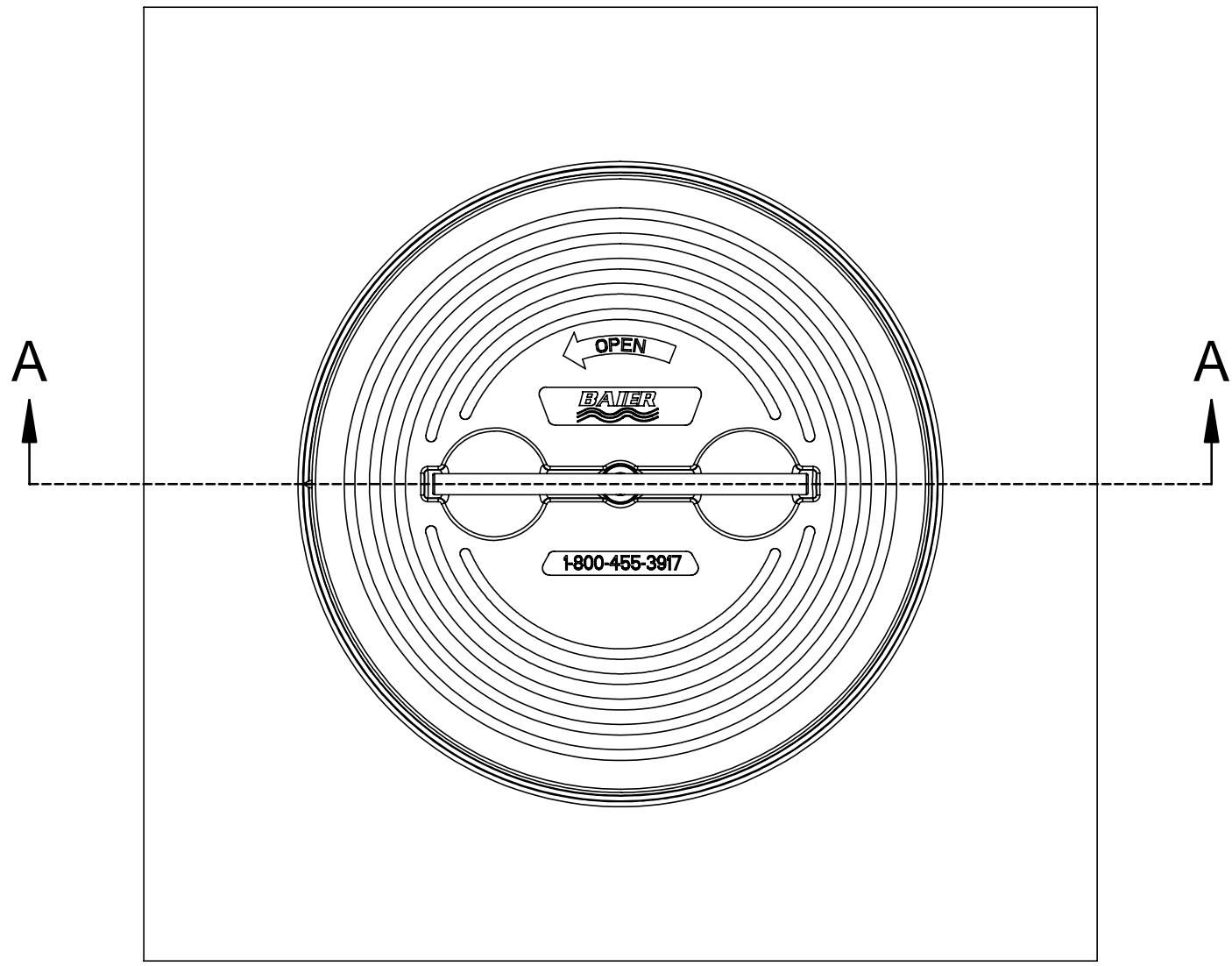
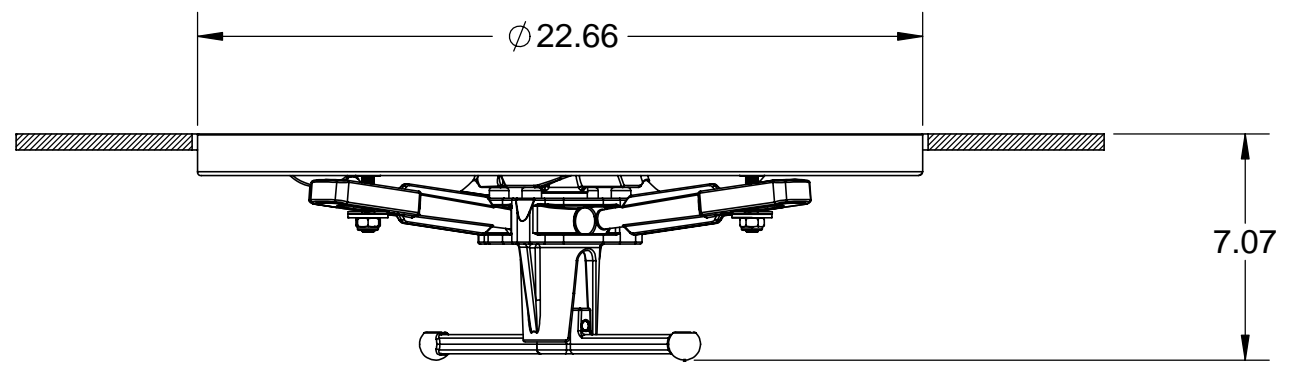


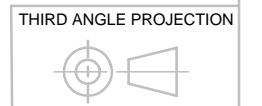
REVISIONS				
REV.	ECN	DESCRIPTION	DATE	APPROVED
A	20-00511	*INITIAL RELEASE	04/29/20	RCL



CUTOUT DIMENSION VIEW



SECTION A-A



DWN: FH, 04/28/20. UMC P/N REF: 08864-105B

BAIER 2920 Airway Ave., Costa Mesa, CA 92626	SIZE	DWG. NO.	REV.
	B	BFHQTH20A/S	A
SCALE: 1:6 AND NOTED		SHEET 1 OF 1	