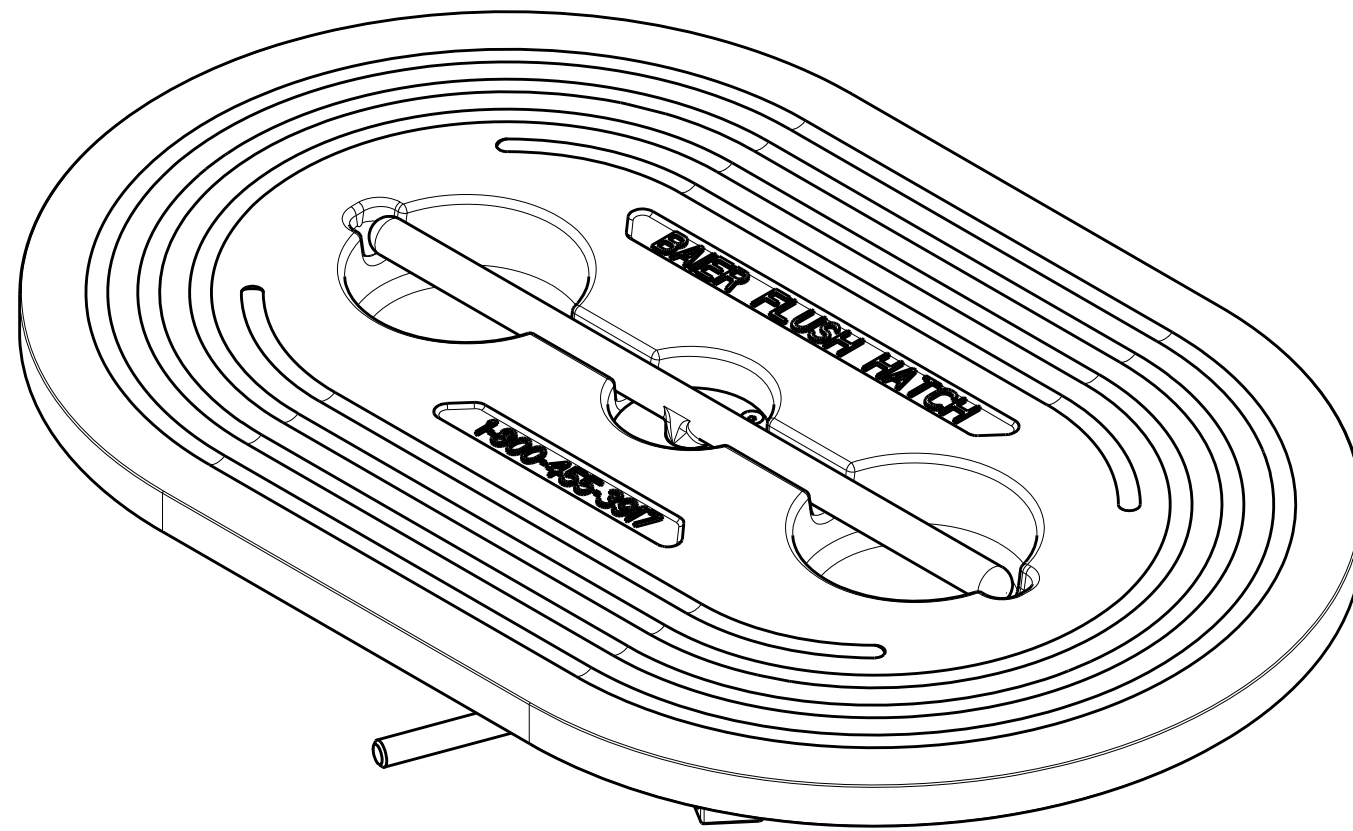

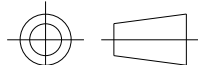


REVISIONS					
REV	ECN	ECR-TN	DESCRIPTION	DATE	APR
A	16-00209	N/A	INITIAL RELEASE	08/19/16	RCL

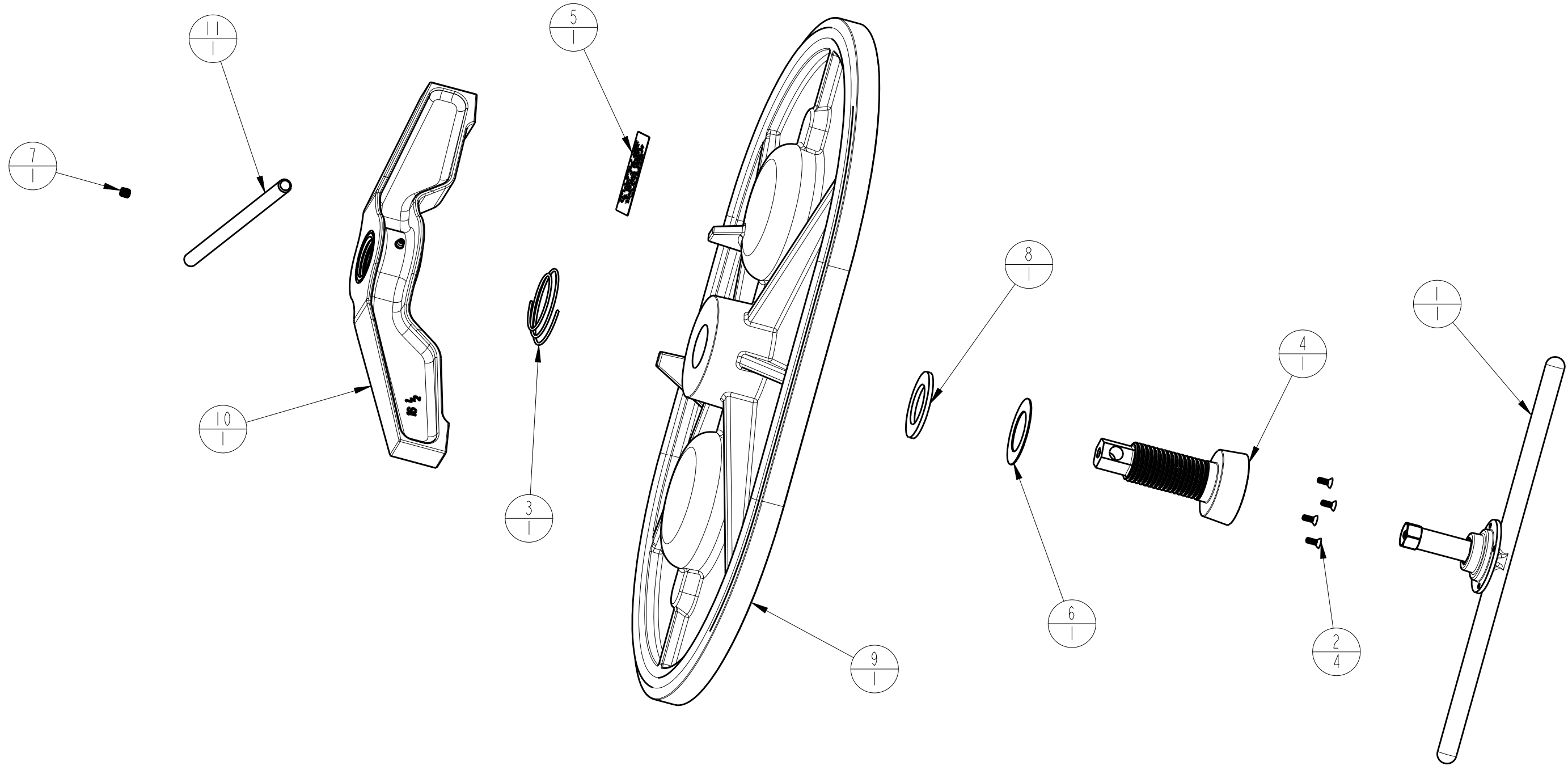


ISOMETRIC VIEW

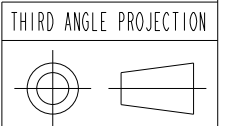
QTY	DESCRIPTION	PART NO	ITEM
1	ROD, .50" DIA X 12" LG	08861-205A	11
1	STRONGBACK ASSY, AL, 16.5" BRNZ	08861-128A	10
1	COVER-GASKET KIT, TH, AL #500 15" X 24"	08861-113A	9
1	GASKET, 1.50" ID	08861-701A	8
1	SCREW, SET 5/16-18 X 5/16 SS	06122-801B	7
1	WASHER, FLAT 1.50" ID SS	08861-206A	6
1	DECAL, HATCH LUB	08861-710A	5
1	BOLT, CENTER, THREAD TH	08861-214A	4
1	SPRING	08861-805A	3
4	SCREW, FLAT, SOC HD #10-24 X 1/2 LG	08861-801A	2
1	TEE HANDLE HEX ASSY	08862-117A	1

PRO/E		THE INFORMATION CONTAIN IN THIS DOCUMENT IS PROPRIETARY AND SHALL NOT BE REPRODUCED OR USED FOR ANY PURPOSE WITHOUT THE WRITTEN APPROVAL OF BAIER MARINE CO., INC.		 2920 Airway Ave., Costa Mesa, CA 92626	
THIRD ANGLE PROJECTION				TITLE COVER ASSY, T-HANDLE AL #500 15" X 24"	
UMC P/N REF 08861-112A	DWN CK APR	BAE DT	01/08/16 DT	SIZE B	DWG NO. BFHOTH15X24A
			SCALE 3:10 AND NOTED	REV A	
			SHEET	1 OF 3	

REVISIONS					
REV	ECN	ECR-TN	DESCRIPTION	DATE	APR
A	16-00209	N/A	SEE SHEET 1	08/19/16	RCL

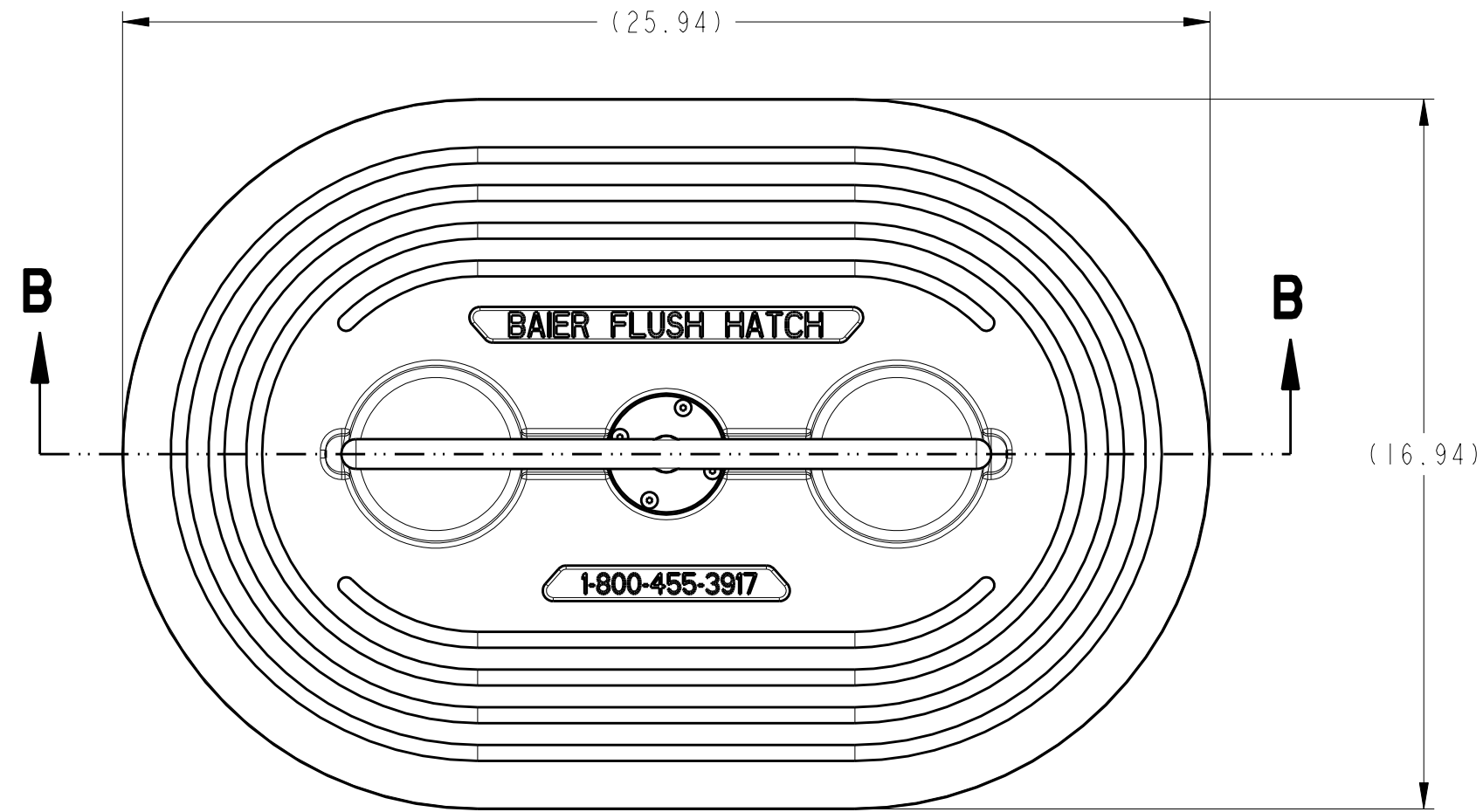


EXPLODED VIEW

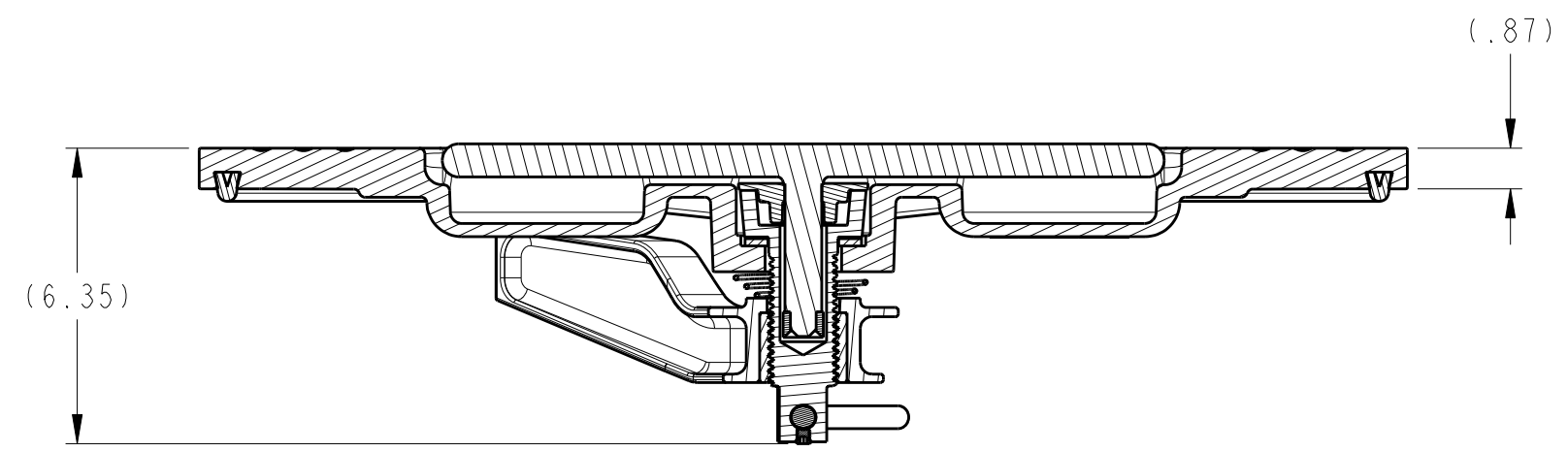


BAIER MARINE Co., Inc. 2920 Airway Ave., Costa Mesa, CA 92626		DWN DT	DWG NO. BFHOTH15X24A	REV A
SCALE 1:4		SHEET 2 OF 3		

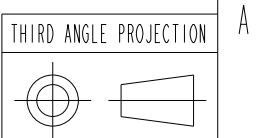
REVISIONS				DATE	APR
REV	ECN	ECR-TN	DESCRIPTION		
A	16-00209	N/A	SEE SHEET 1	08/19/16	RCL



TOP VIEW



SECTION B-B



BAIER MARINE Co., Inc. 2920 Airway Ave., Costa Mesa, CA 92626		DWN DT	DWG NO. BFHOTH15X24A	REV A
SCALE 1:4		SHEET 3 OF 3		