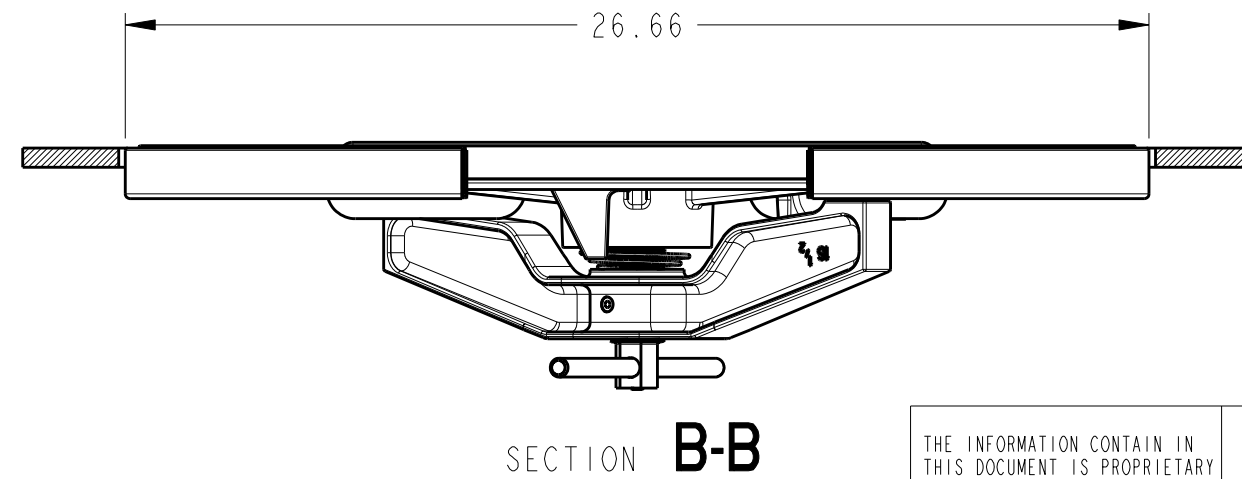
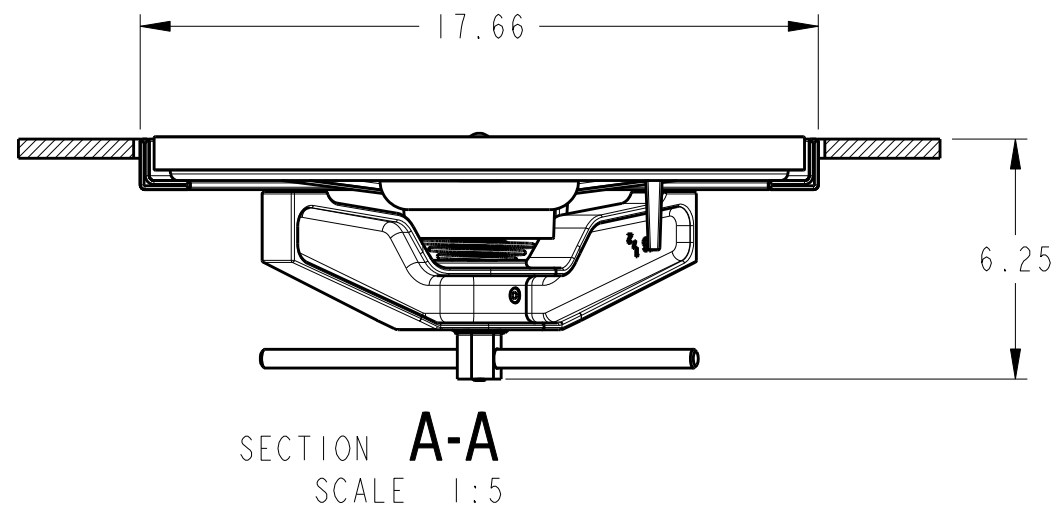
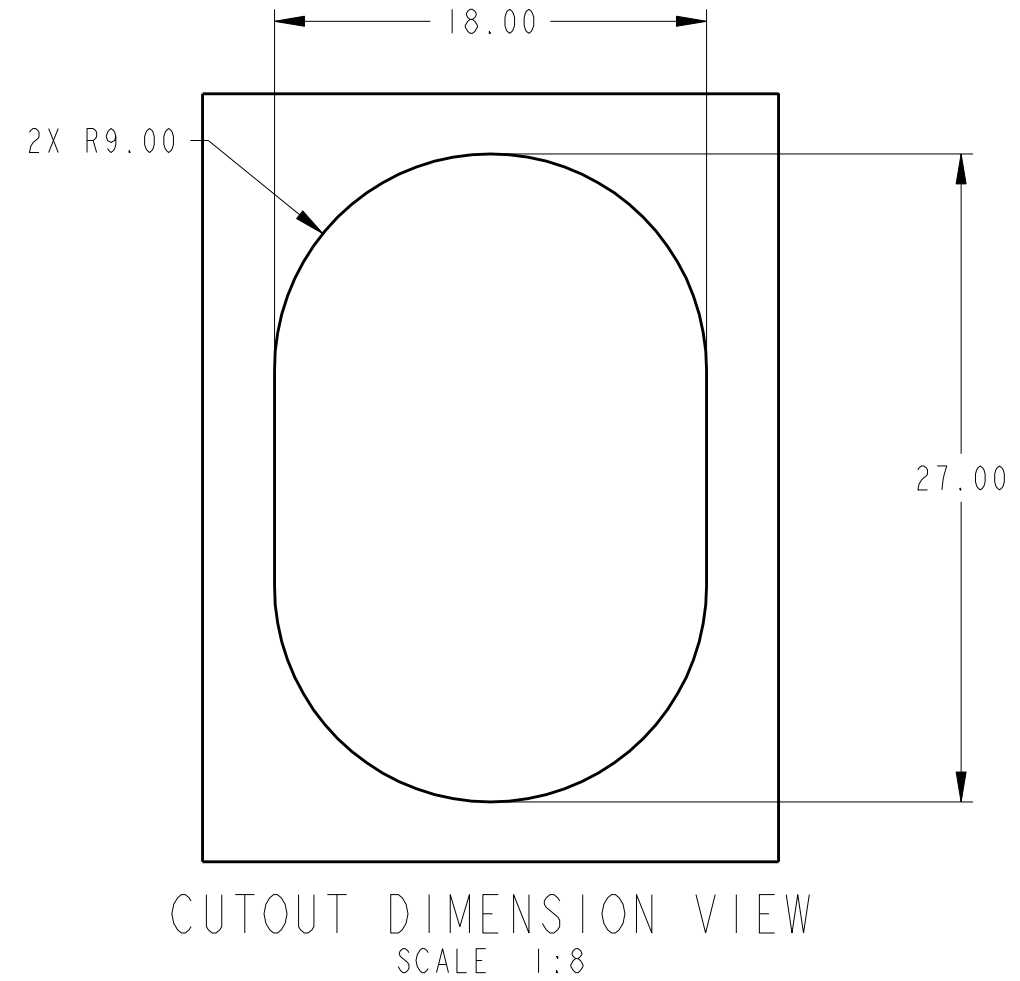
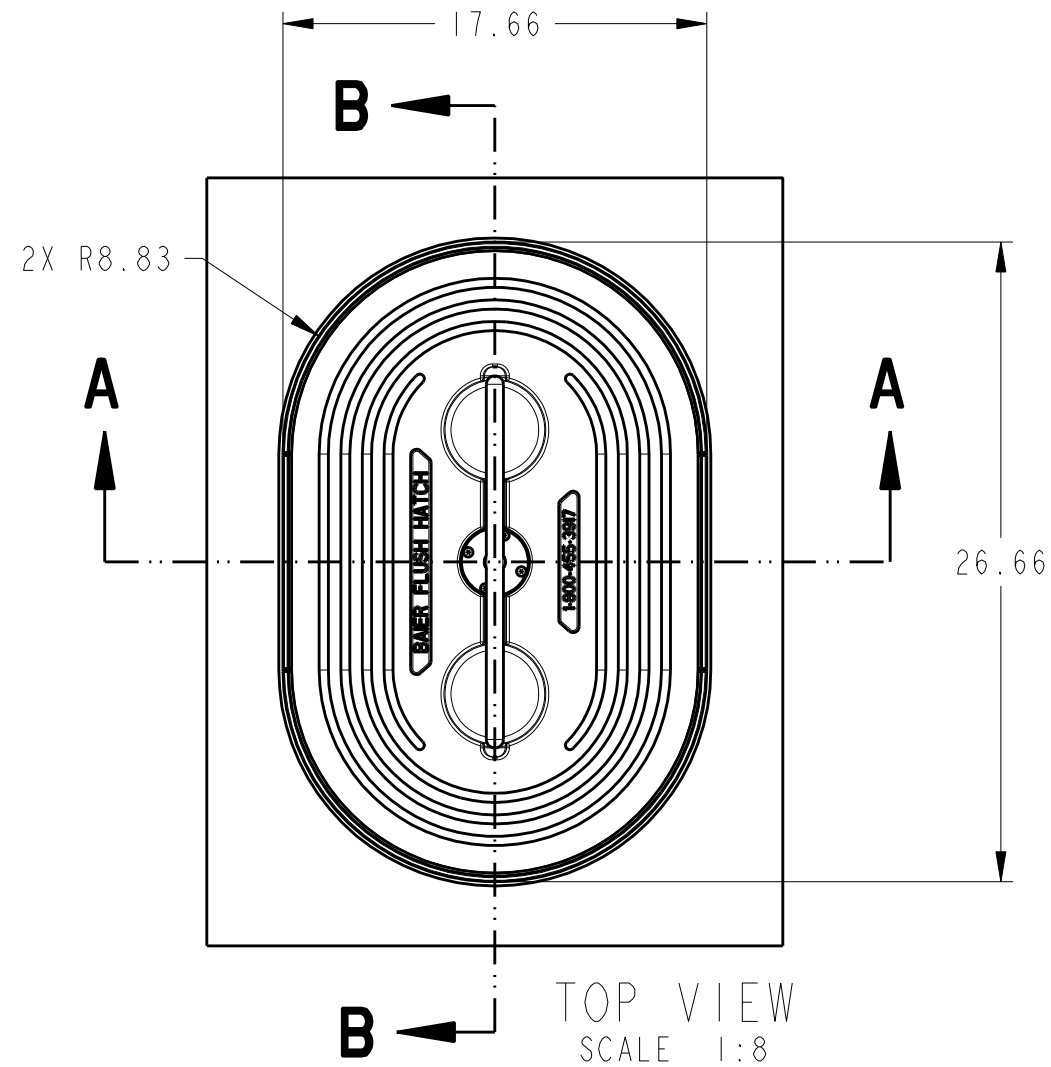


REVISIONS					
REV	ECN	ECR-TN	DESCRIPTION	DATE	APR
A	16-00209	N/A	INITIAL RELEASE	08/19/16	RCL



UMC P/N REF 08863-121A		PRO/E THIRD ANGLE PROJECTION		THE INFORMATION CONTAIN IN THIS DOCUMENT IS PROPRIETARY AND SHALL NOT BE REPRODUCED OR USED FOR ANY PURPOSE WITHOUT THE WRITTEN APPROVAL OF BAIER MARINE CO., INC.		2920 Airway Ave., Costa Mesa, CA 92626	
DWN	BAE	DT	01/04/16	SIZE B	DWG NO. BFH0TH15X24A-S	REV A	TITLE HATCH ASSY, T-HANDLE AL-ST 15X24
CK		DT		SCALE 1:5 AND NOTED		SHEET	1 OF 1
APR		DT					