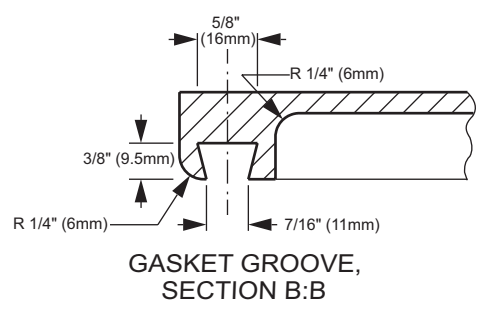
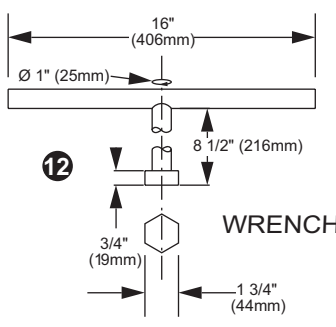
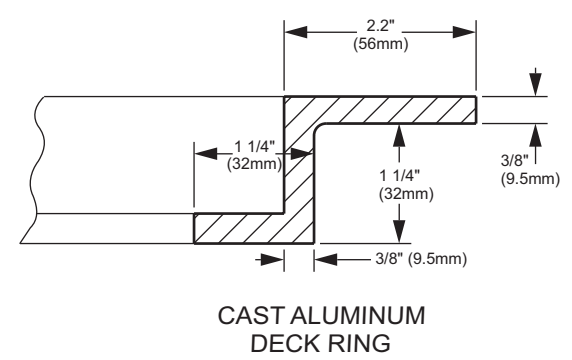
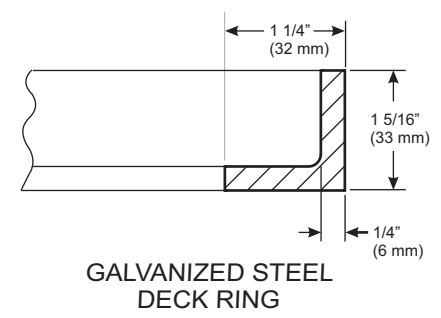
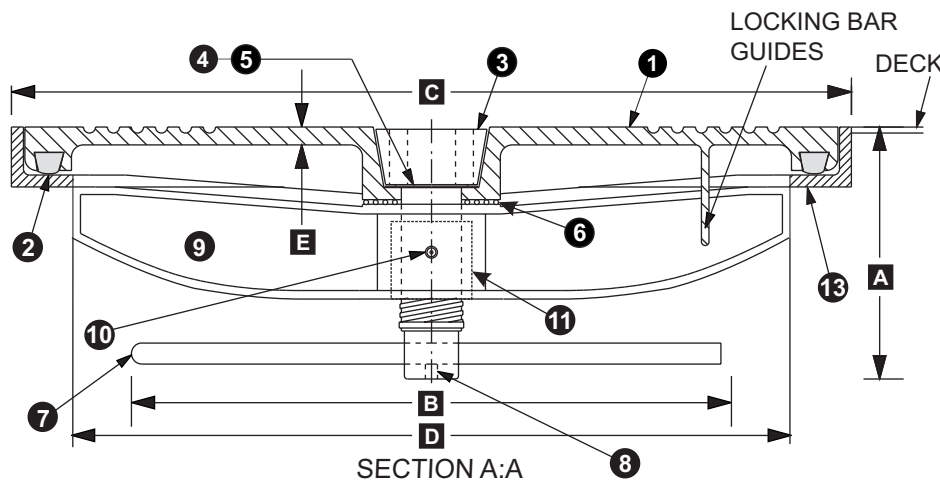


**BILL OF MATERIAL: 08862-101**

#	DESCRIPTION	MAT	P/N
Cover Kit (parts & kits below AL, ST)			BFHO15x24A, S
1	COVER	AL, ST	08861-103A, B
2	GASKET	NEO	08861-702A
Centerbolt Kit (parts below)			UP-CB-HEX-SS-KIT
3	BOLT (1 1/2" Ø)	SS	08861-204A
4	WASHER	SS	08861-205A
5	WASHER	NEO	08861-701A
6	SPRING	SS	08861-805A
7	ROD (1/2" Ø)	ST	08862-205A
8	ALLEN SET SCREW	SS	06122-801B
Strongback Kit (parts below AL, ST)			BSB16-1/2
9	STRONGBACK	AL, ST	08861-108A, B
10	LUBE ZERK	ZNST - ZINC PLATED ST	08790-803A
11	THREADED INSERT	BR	08861-209B
12	WRENCH	GALV	UP-WRNCH-HEX-ST
13	DECK RING AL	AL	08861-203A
13	DECK RING ST	ST	08861-207A
13	DECK RING SS	SS	08861-207C
13	DECK RING BLACK	SB	08861-207B

**MATERIAL KEY**  
 SS - STAINLESS STEEL  
 AL - ALUMINUM  
 ST - GALV. STEEL  
 SB - BLACK STEEL  
 ZNST - ZINC PLATED ST  
 BR - BRONZE  
 NEO - NEOPRENE

NOTE: BUTT WELD ON STEEL AND ALUMINUM DECKS. BOLT DOWN ON WOOD AND FIBERGLASS DECKS (FLANGES SUPPLIED BLIND - SHIPYARD TO DRILL TO SUIT)



**HATCH WEIGHTS LBS. (KGMS)**

Model Number	BFHO15x24
Material	AL ST
Cover	27 (12.3) 77 (35)
Deck Ring	12 (5.4) 10 (4.5)

IMPORTANT: WHEN ORDERING, PLEASE SPECIFY OUTSIDE DIAMETER (C) OR CLEAR OPENING (D). UNITS ARE IDENTIFIED BY CLEAR OPENING.

Model Number	DIMENSIONS INCHES (mm)					
	A	B	C(L)	C(W)	D(L)	D(W)
BFHO15X24	5 1/2 (140)	12 1/2 (318)	26 5/8 (676)	17 5/8 (447)	24 (610)	15 (381)



1-800-455-3917  
206-632-2441 (FAX)  
sales@baiermarine.com

**BAIER FLUSH HATCH**  
LIFT-OUT PLAIN DOGGED TYPE  
WITH GRAB HANDLES  
TYPE "C" POSITIVE LOCKING  
**MODEL: BFHO15X24**

DWG. NO. 541