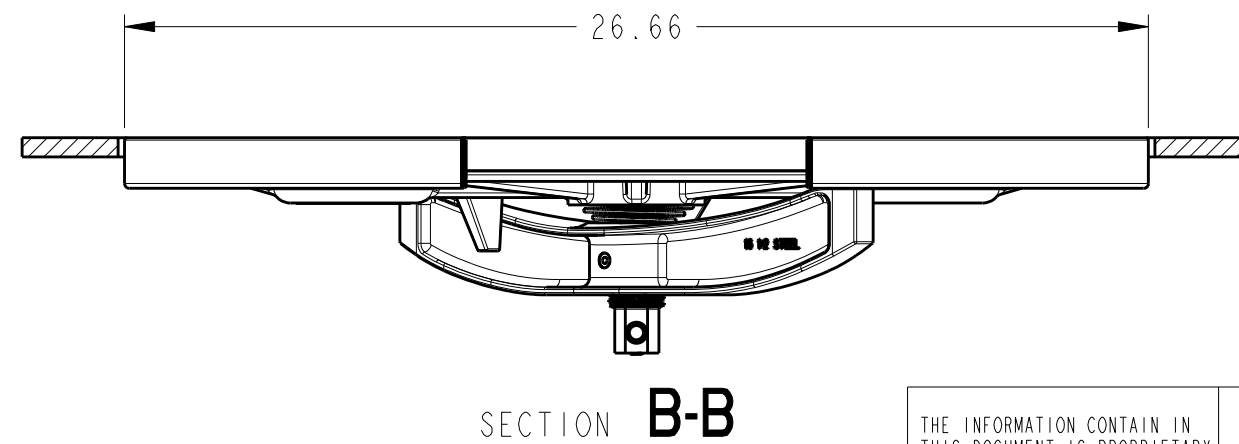
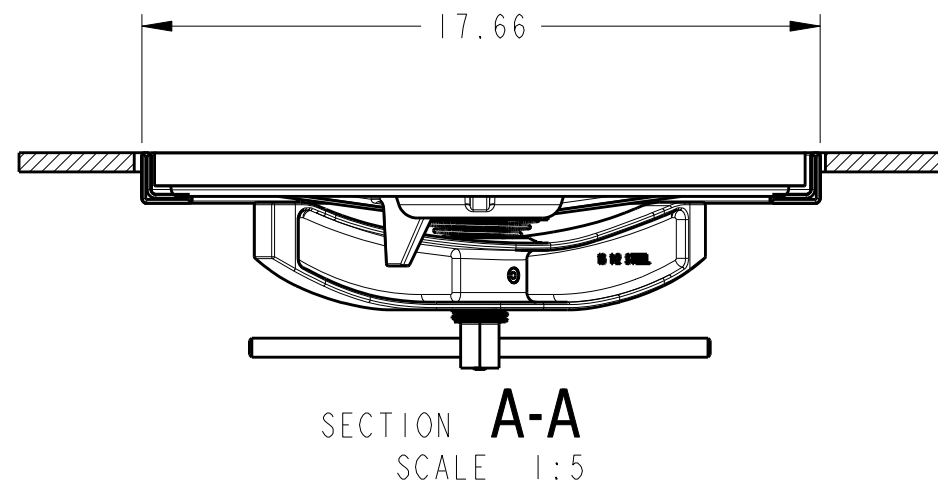
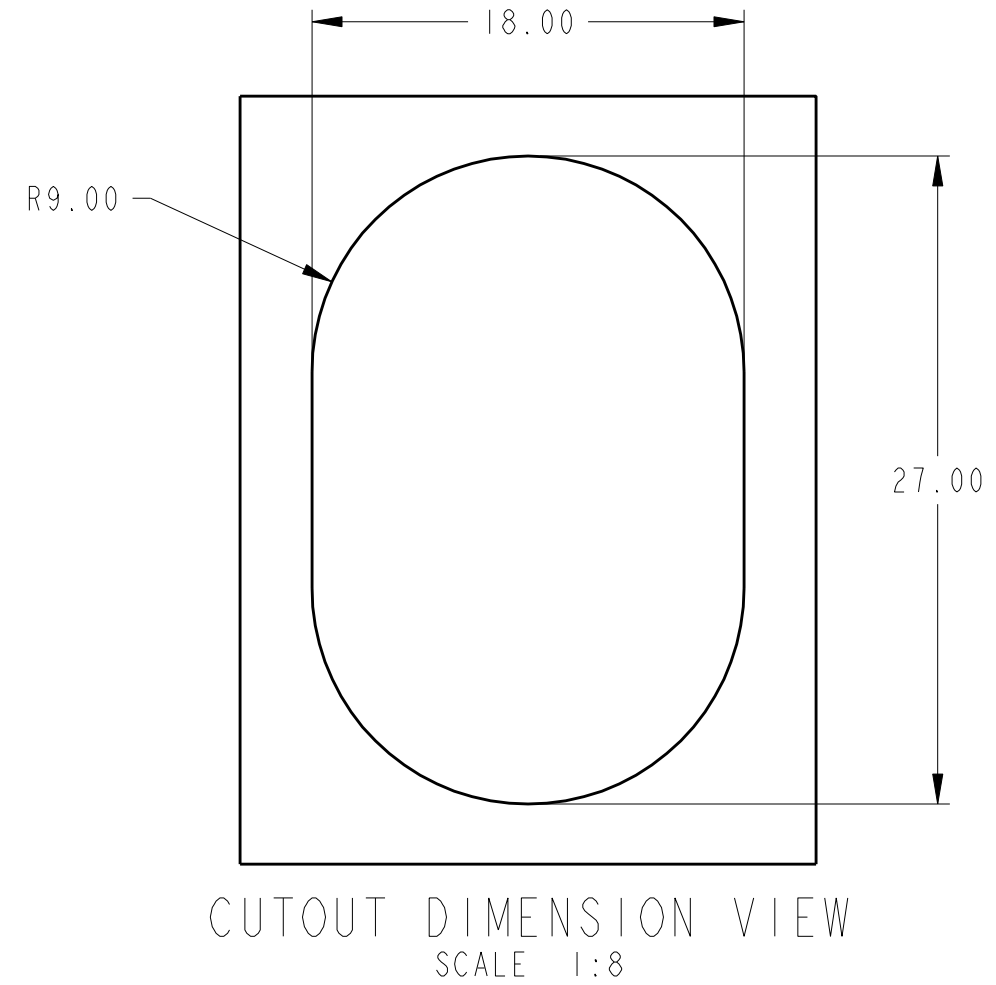
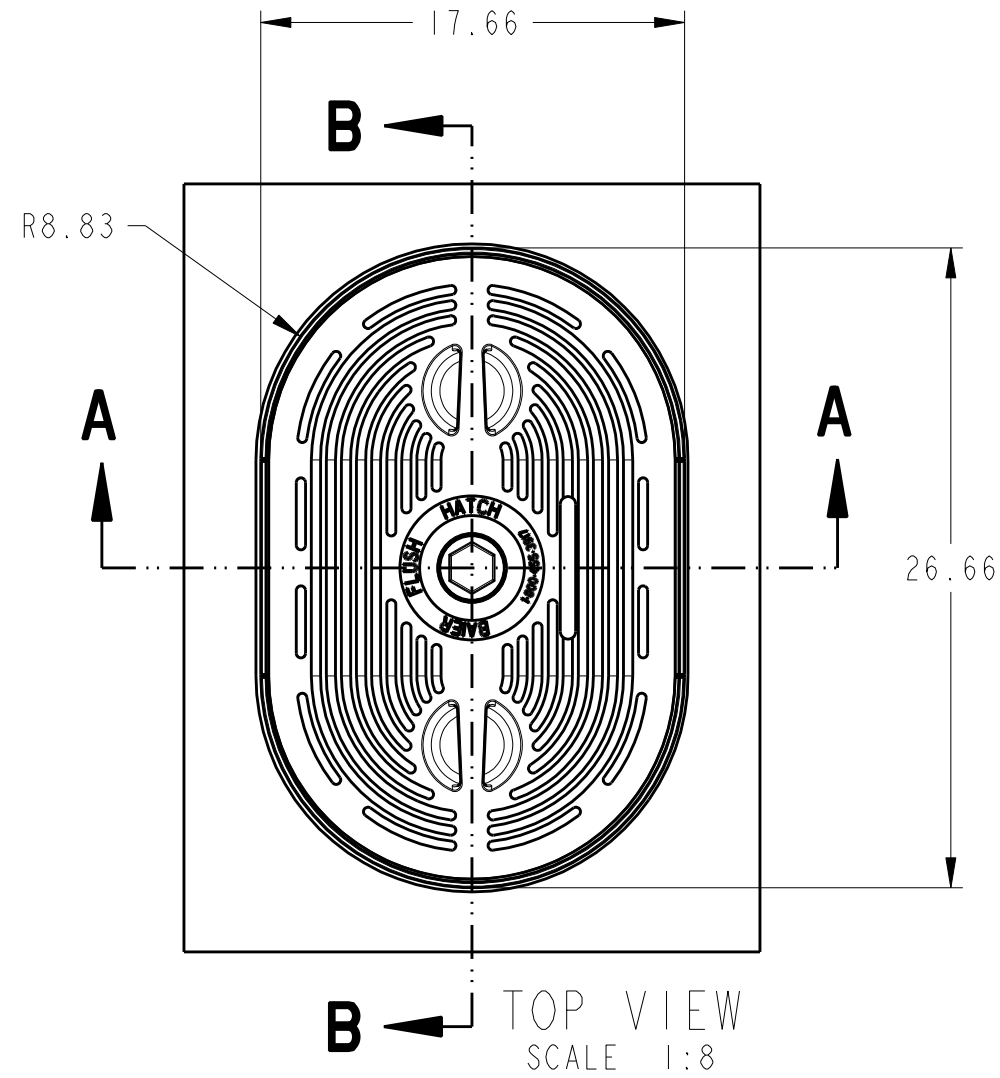


REVISIONS					
REV	ECN	ECR-TN	DESCRIPTION	DATE	APR
A	16-00209	N/A	INITIAL RELEASE	08/19/16	RCL



UMC P/N REF	08861-101C
PRO/E	THIRD ANGLE PROJECTION
DWN	BAE DT 09/15/15
CK	DT
APR	DT

THE INFORMATION CONTAIN IN THIS DOCUMENT IS PROPRIETARY AND SHALL NOT BE REPRODUCED OR USED FOR ANY PURPOSE WITHOUT THE WRITTEN APPROVAL OF BAIER MARINE CO., INC.

**BAIER**  
2920 Airway Ave., Costa Mesa, CA 92626

TITLE HATCH ASSY, 15" X 24" ST, CENTERBOLT

DWG NO. BFH015X24S-S REV A

SCALE 1:5 AND NOTED SHEET 1 OF 1