

8

7

6

5

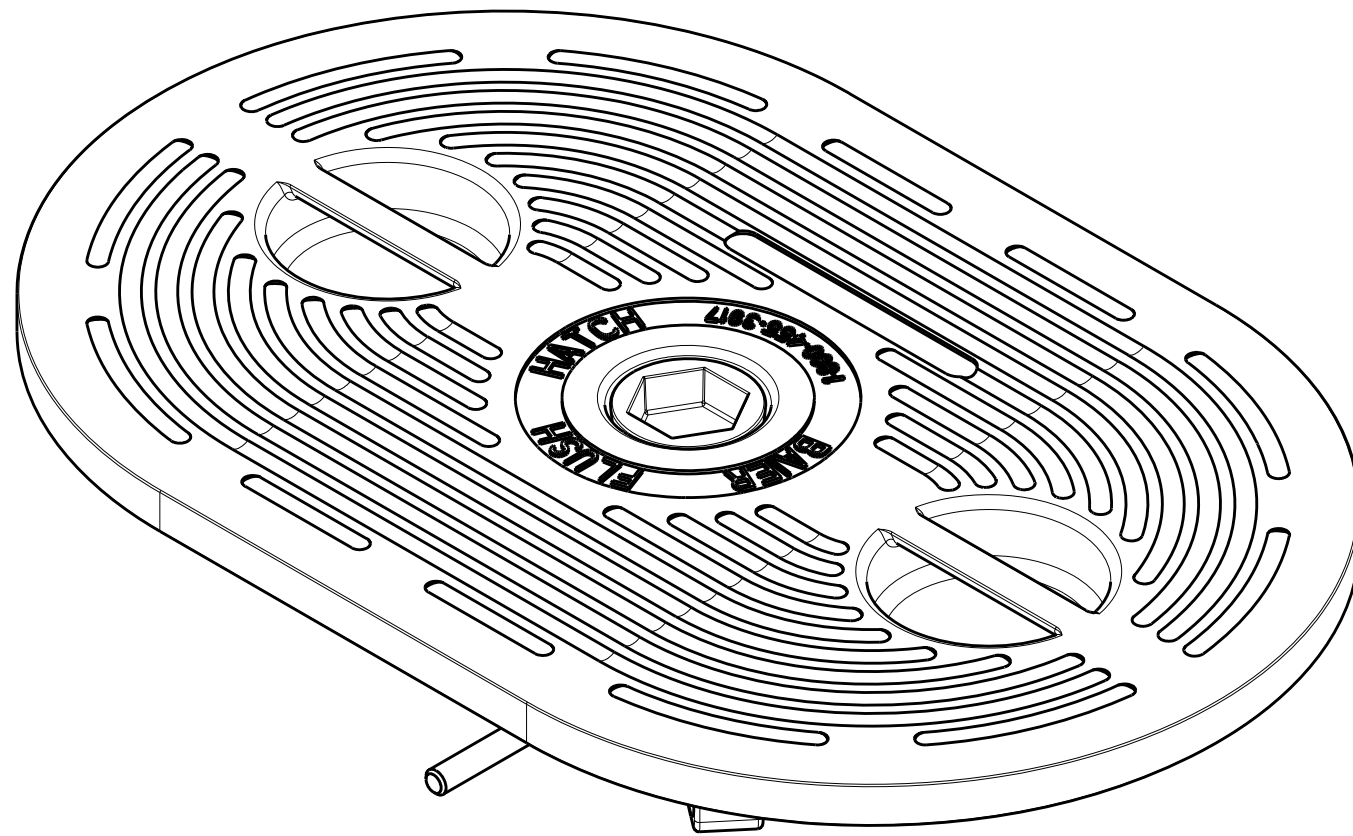
4

3

2

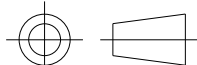

1

REVISIONS					
REV	ECN	ECR-TN	DESCRIPTION	DATE	APR
A	16-00209	N/A	INITIAL RELEASE	08/19/16	RCL



ISOMETRIC VIEW

QTY	DESCRIPTION	PART NO	ITEM
1	SPRING	08861-805A	9
1	ROD, .50" DIA X 12" LG	08861-205A	8
1	DECAL, HATCH LUB	08861-710A	7
1	STRONGBACK ALUM-16.5"HEX BRNZ	08861-108A	6
1	SCREW, SET 5/16-18 X 5/16 SS	06122-801B	5
1	COVER KIT, GASKET, AL #541 15 X 24	08861-103A	4
1	GASKET, 1.50" ID	08861-701A	3
1	WASHER, FLAT 1.50" ID SS	08861-206A	2
1	BOLT, CENTER THREADED	08861-204A	1

PRO/E THIRD ANGLE PROJECTION 	THE INFORMATION CONTAIN IN THIS DOCUMENT IS PROPRIETARY AND SHALL NOT BE REPRODUCED OR USED FOR ANY PURPOSE WITHOUT THE WRITTEN APPROVAL OF BAIER MARINE CO., INC.		 2920 Airway Ave., Costa Mesa, CA 92626	
	TITLE COVER ASSY, ALUM #541, 15" X 24"		SIZE B	DWG NO. BFH015X24A
UMC P/N REF 08861-102A	DWN BAE DT 01/08/16 CK DT APR DT	SCALE 3:10 AND NOTED	SHEET 1 OF 3	REV A

8

7

6

5

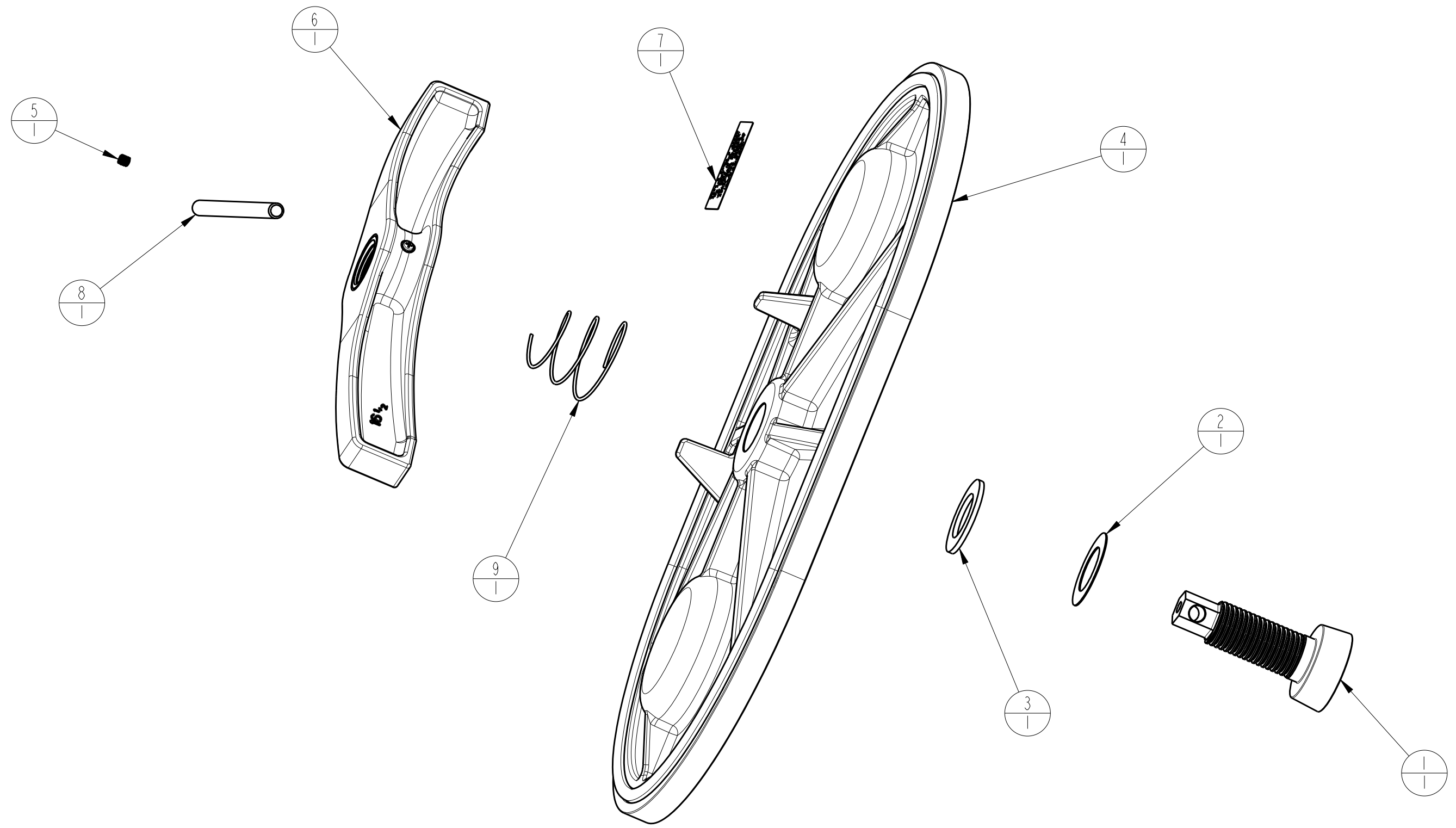
4

3

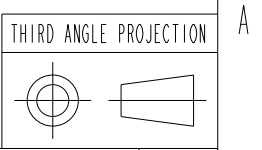
2

1

REVISIONS					
REV	ECN	ECR-TN	DESCRIPTION	DATE	APR
A	16-00209	N/A	SEE SHEET 1	08/19/16	RCL

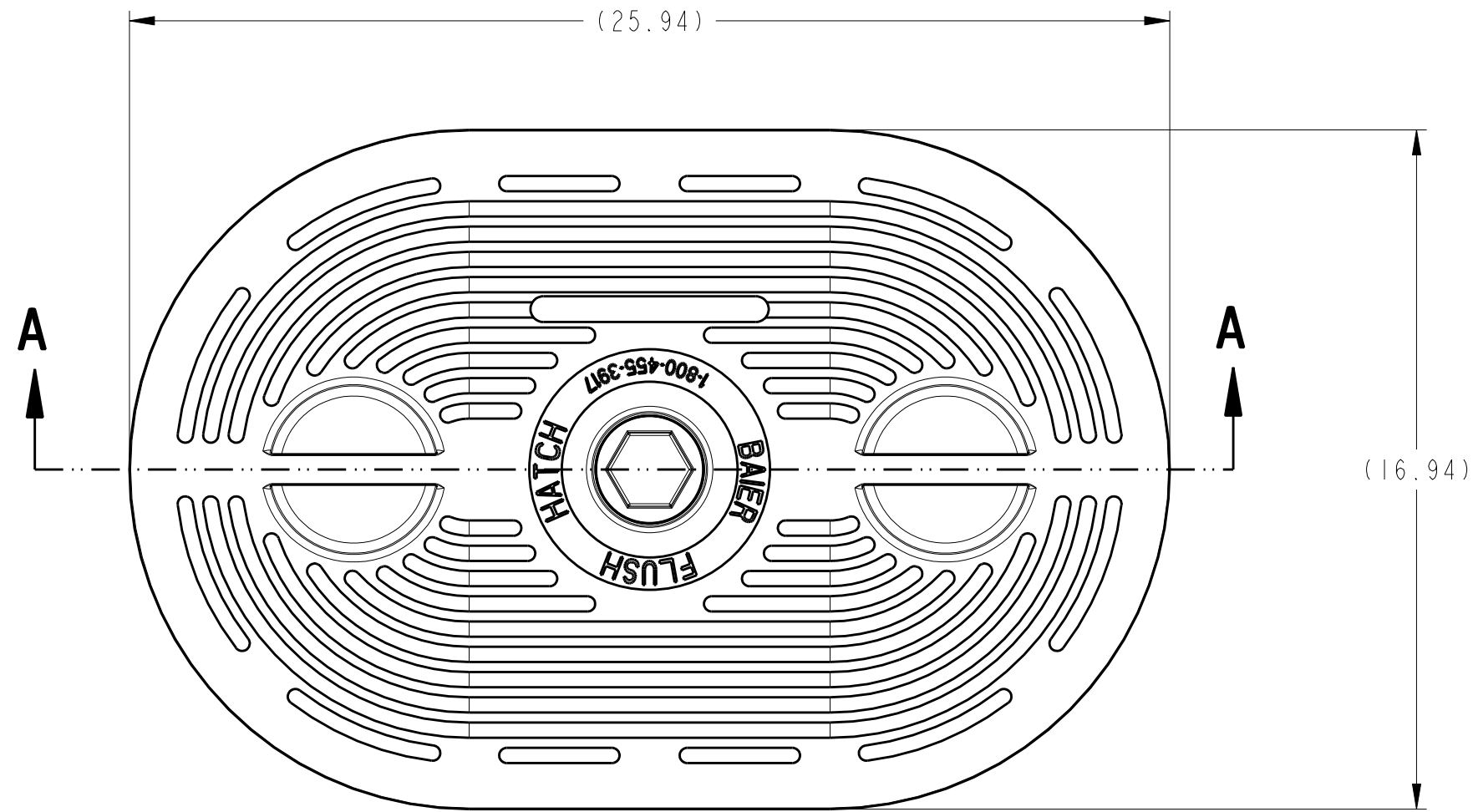


EXPLODED VIEW

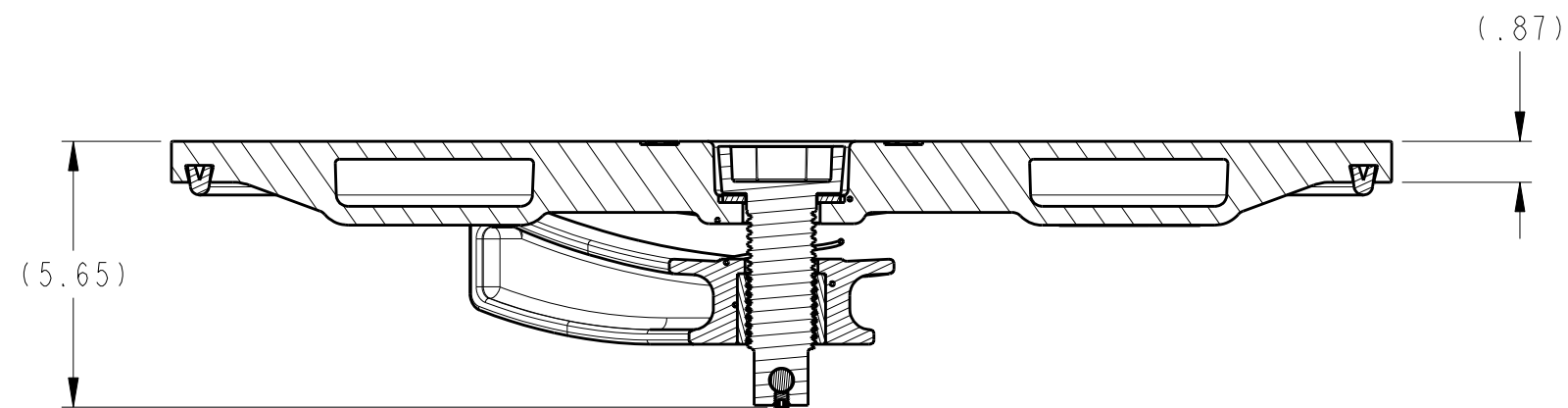


BAIER MARINE Co., Inc. 2920 Airway Ave., Costa Mesa, CA 92626		DWN DT	DWG NO. BFHO15X24A	REV A
SCALE 3:10		SHEET 2 OF 3		

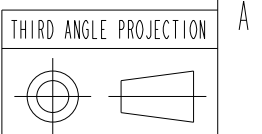
REVISIONS					
REV	ECN	ECR-TN	DESCRIPTION	DATE	APR
A	16-00209	N/A	SEE SHEET 1	08/19/16	RCL



TOP VIEW



SECTION A-A



BAIER MARINE Co., Inc. 2920 Airway Ave., Costa Mesa, CA 92626		DWN DT	DWG NO. BFHO15X24A SCALE 1:4 SHEET	REV A 3 OF 3
--	--	-----------	---------------------------------------	-----------------