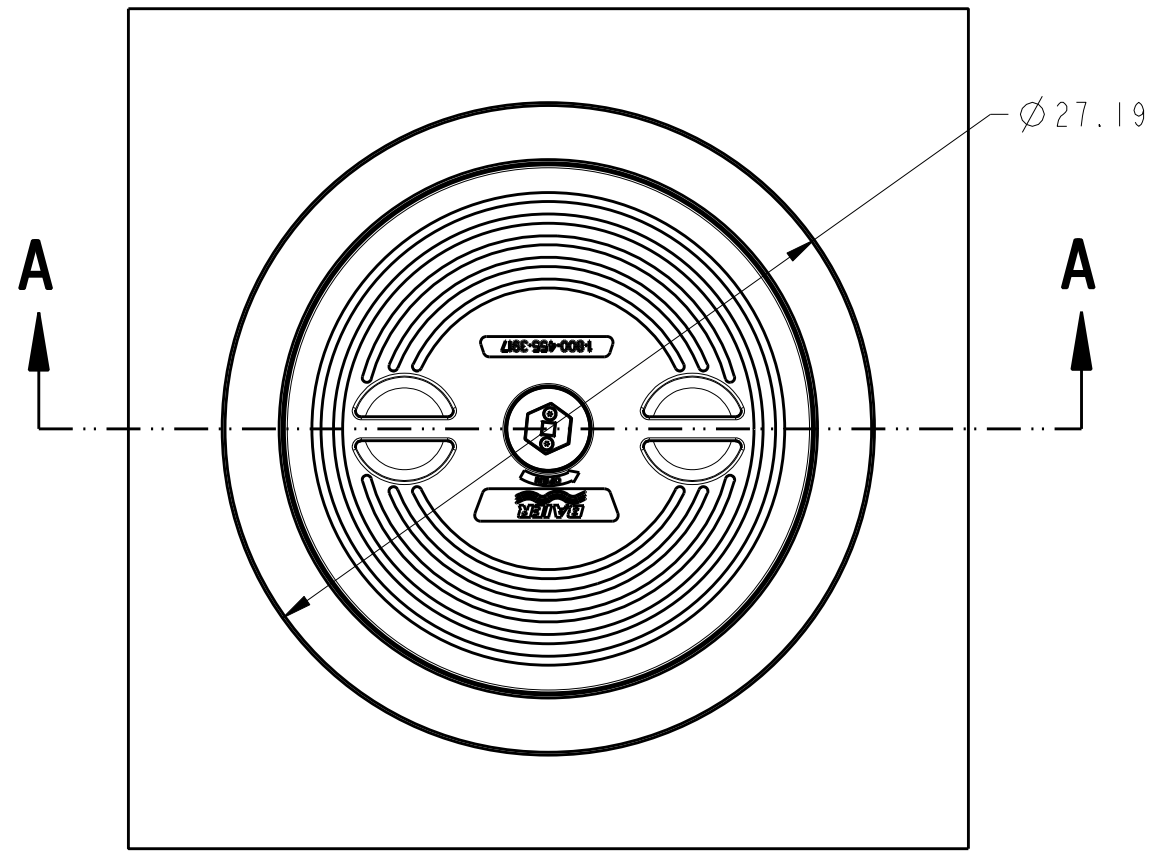
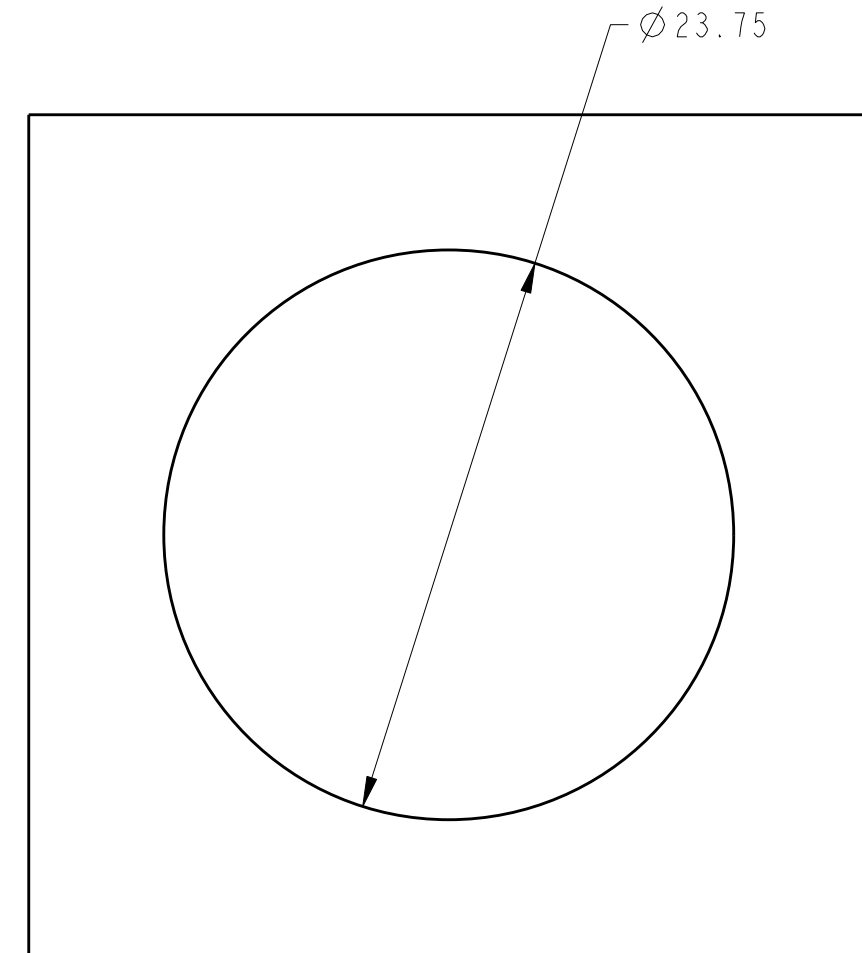


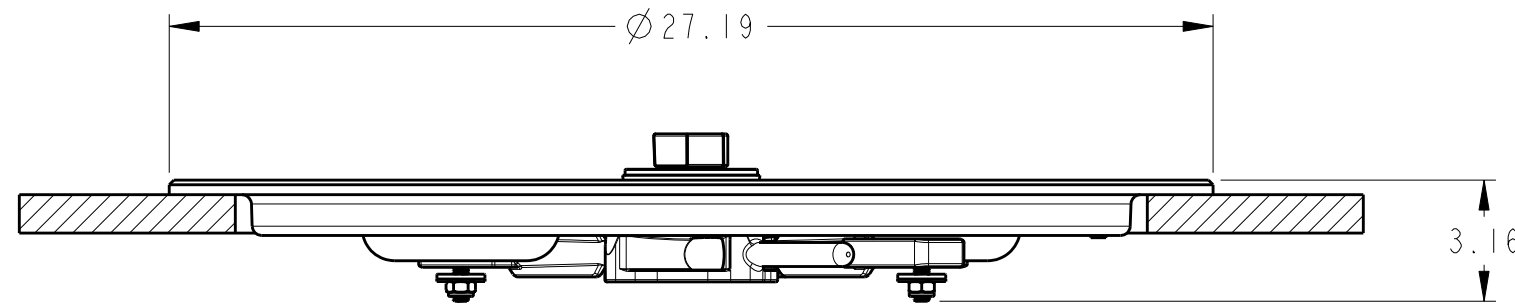
REVISIONS					
REV	ECN	ECR-TN	DESCRIPTION	DATE	APR
A	16-00209	N/A	INITIAL RELEASE	08/19/16	RCL



TOP VIEW  
SCALE 1:8

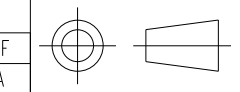


CUTOUT DIMENSION VIEW  
SCALE 1:8



SECTION **A-A**  
SCALE 1:5

PRO/E  
THIRD ANGLE PROJECTION



THE INFORMATION CONTAIN IN THIS DOCUMENT IS PROPRIETARY AND SHALL NOT BE REPRODUCED OR USED FOR ANY PURPOSE WITHOUT THE WRITTEN APPROVAL OF BAIER MARINE CO., INC.



2920 Airway Ave., Costa Mesa, CA 92626

TITLE HATCH ASSY, 20 LP-QA ALUM

UMC P/N REF  
08864-161A

DWN	BAE	DT	12/23/15
CK		DT	
APR		DT	

SIZE B	DWG NO. BFHLP20A-A	REV A
SCALE 3:20 AND NOTED		SHEET 1 OF 1