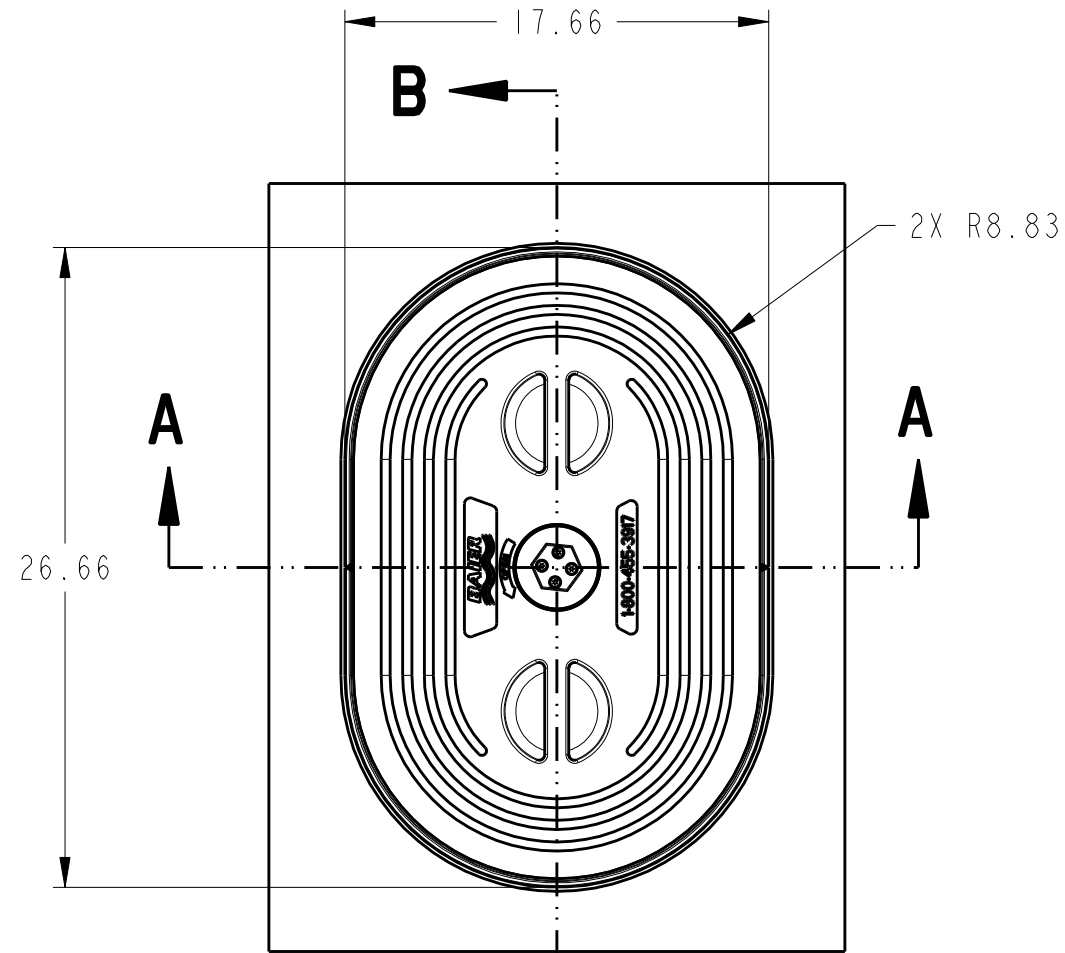
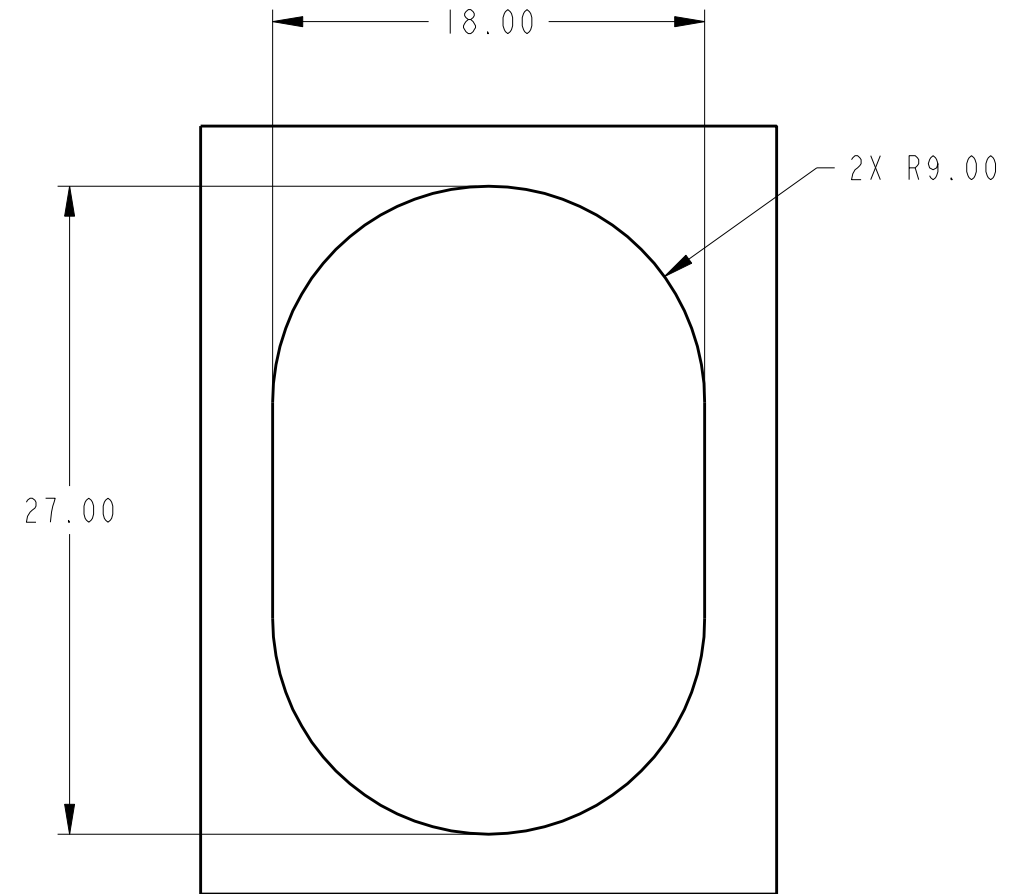


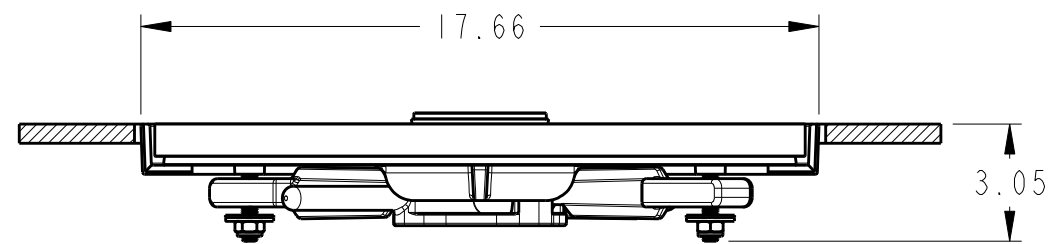
REVISIONS					
REV	ECN	ECR-TN	DESCRIPTION	DATE	APR
A	16-00209	N/A	INITIAL RELEASE	08/19/16	RCL



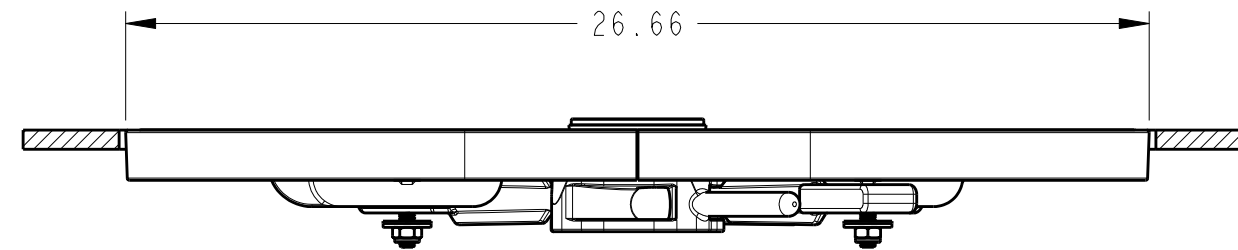
TOP VIEW  
SCALE 1:8



CUTOUT DIMENSION DRAWING  
SCALE 1:8

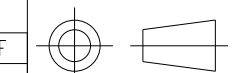


SECTION A-A  
SCALE 1:5



SECTION B-B

PRO/E  
THIRD ANGLE PROJECTION



UMC P/N REF  
08864-151B

THE INFORMATION CONTAIN IN THIS DOCUMENT IS PROPRIETARY AND SHALL NOT BE REPRODUCED OR USED FOR ANY PURPOSE WITHOUT THE WRITTEN APPROVAL OF BAIER MARINE CO., INC.

DWN	BAE	DT	01/04/16
CK		DT	
APR		DT	

**BAIER**  
2920 Airway Ave., Costa Mesa, CA 92626

TITLE HATCH ASSY, LP-QA,  
15 X 24, ALUM-STL

DWG NO. BFHLP15X24A-S REV A

SCALE 1:5 AND NOTED SHEET 1 OF 1