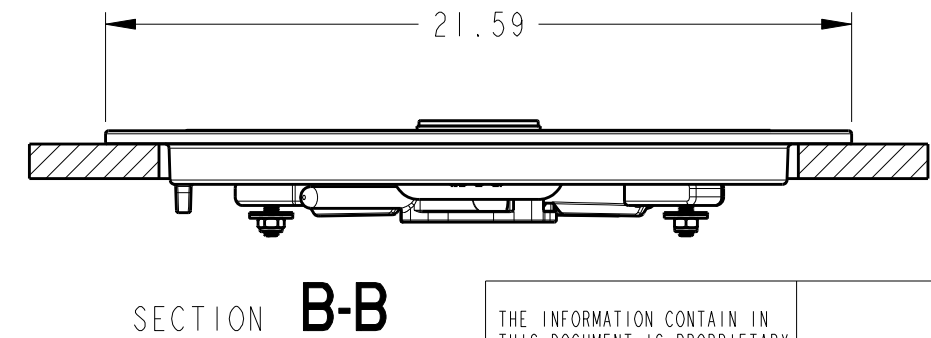
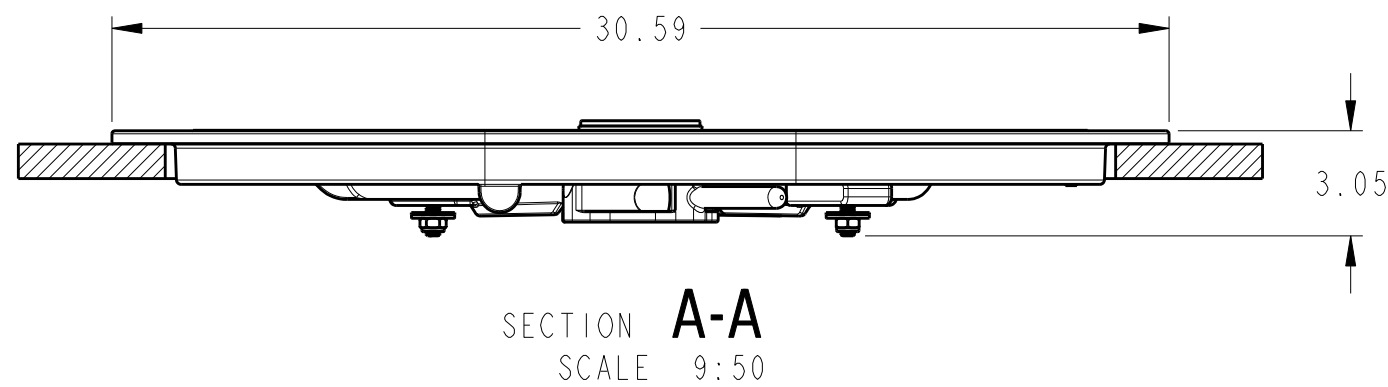
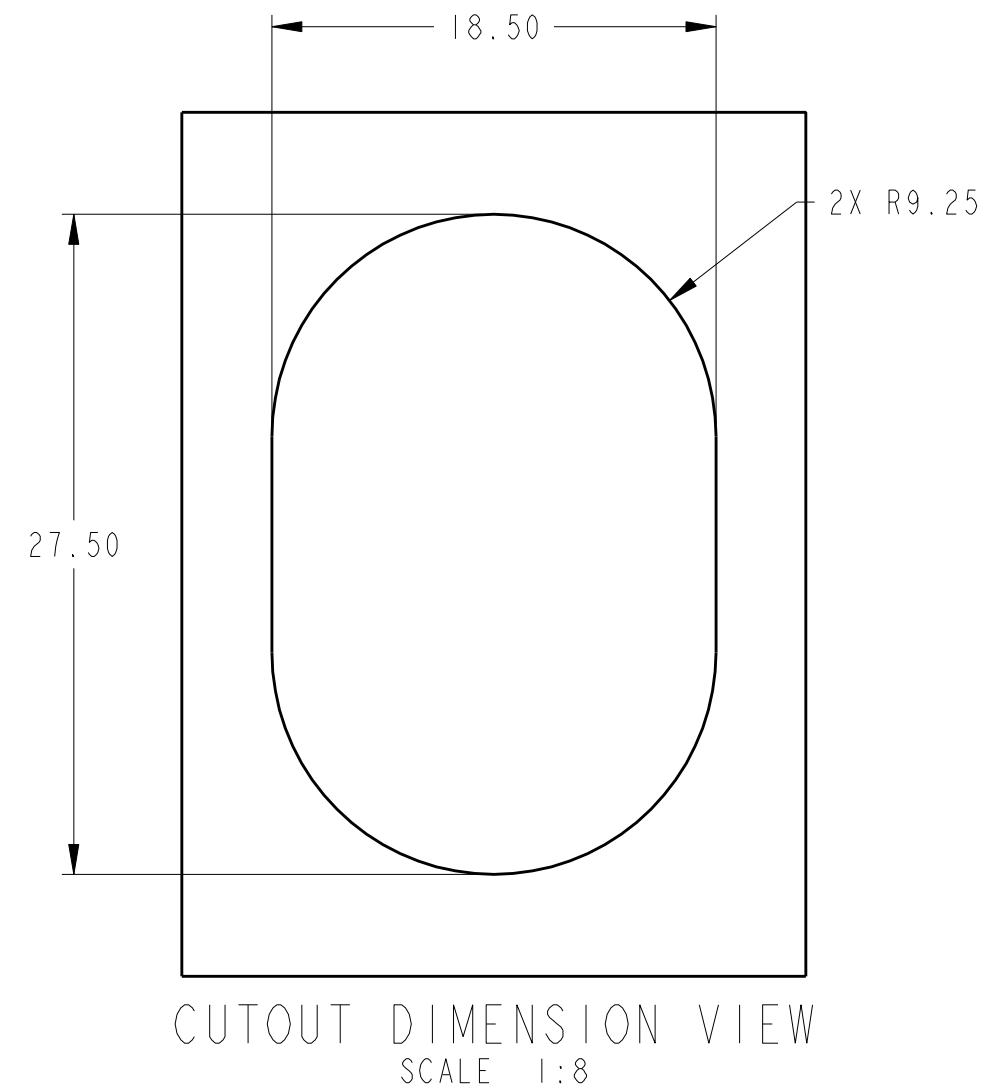
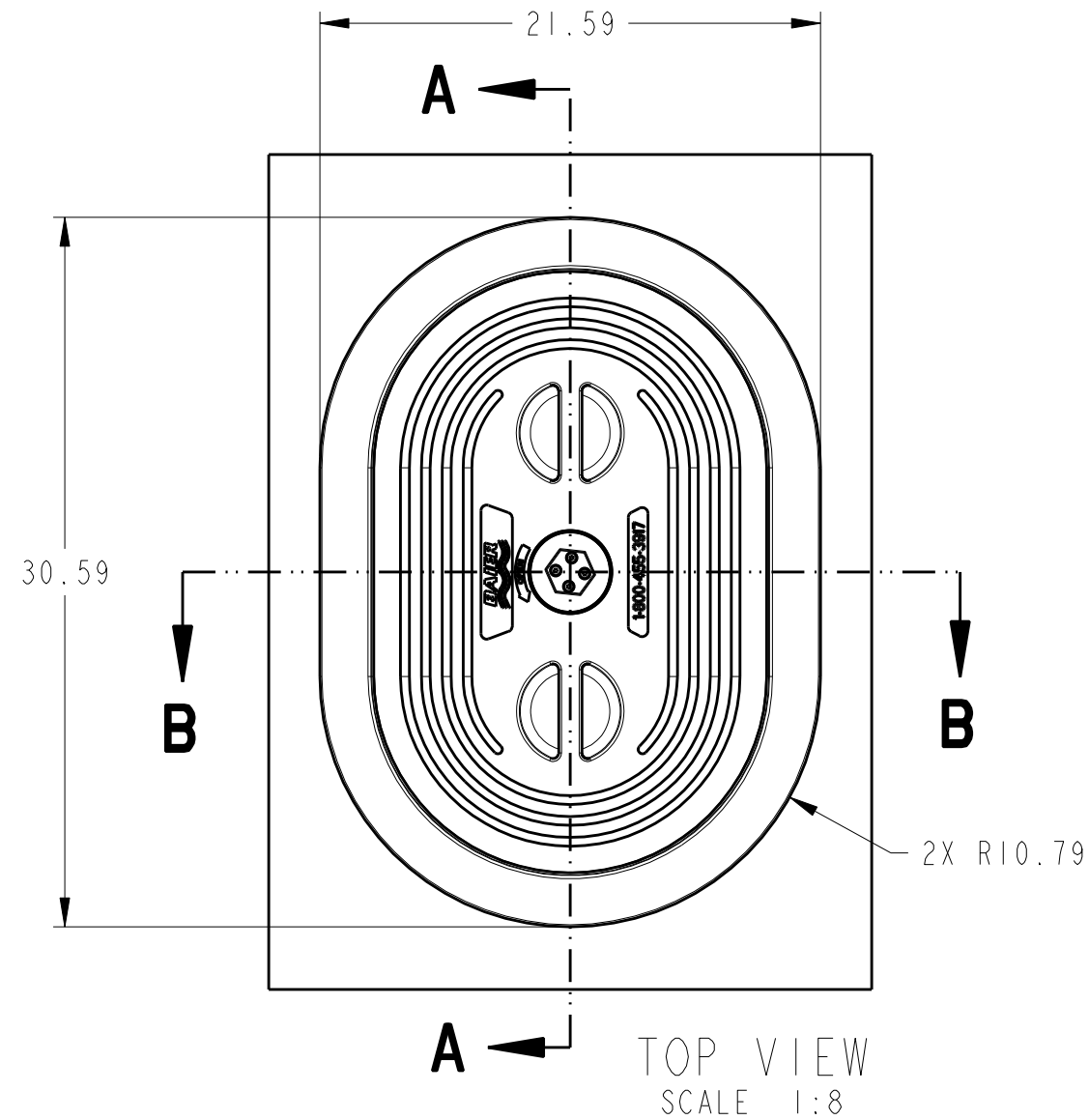
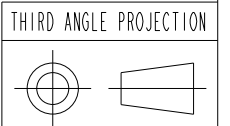
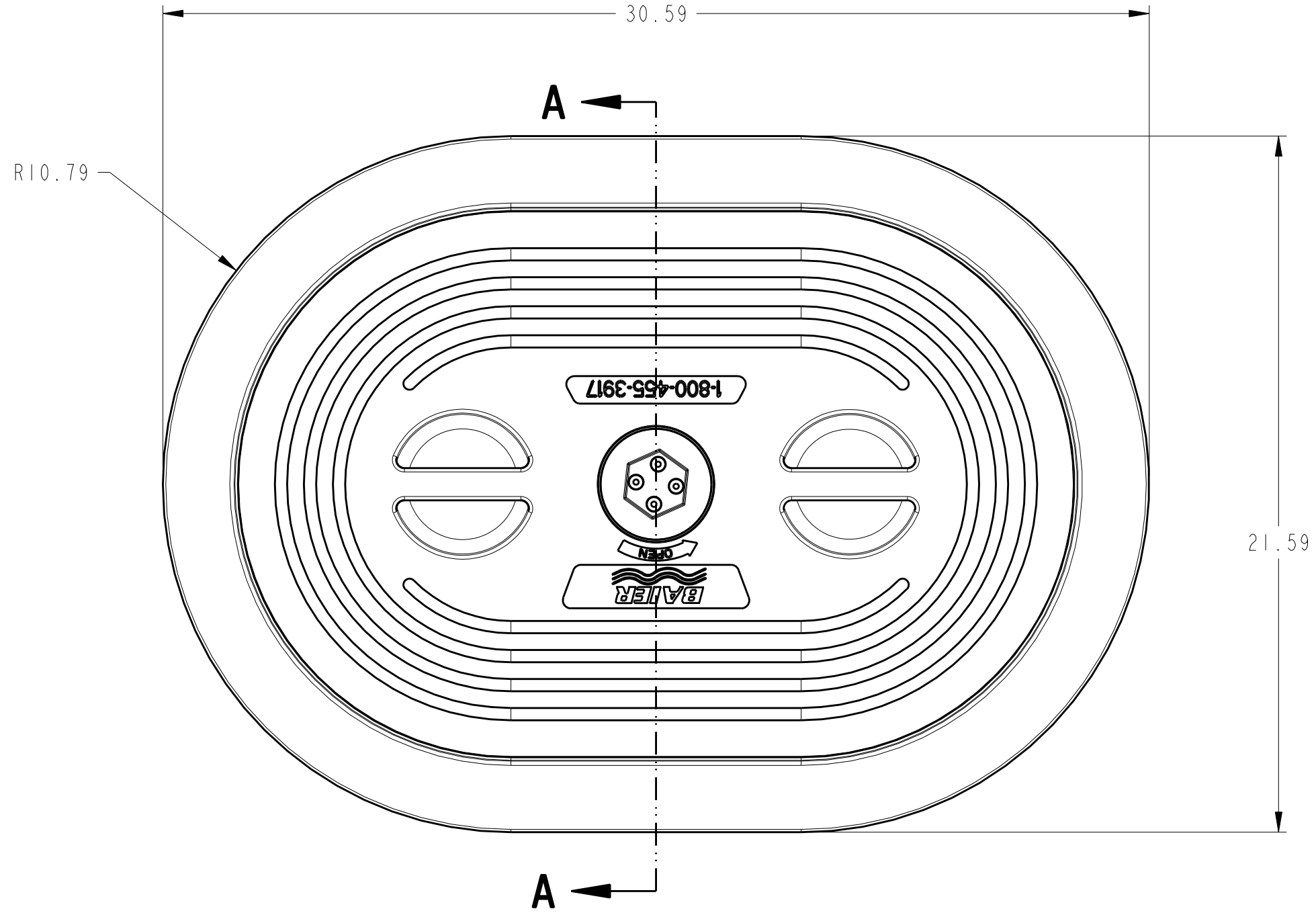


REVISIONS					
REV	ECN	ECR-TN	DESCRIPTION	DATE	APR
A	16-00209	N/A	INITIAL RELEASE	08/19/16	RCL



UMC P/N REF 08863-121A		PRO/E THIRD ANGLE PROJECTION		DWN BAE DT 05/24/16		 2920 Airway Ave., Costa Mesa, CA 92626	
				CK DT		TITLE HATCH ASSY, LP-QA, 15 X 24 ALUM	
APR DT		SCALE 1:5 AND NOTED		SIZE B		DWG NO. BFHLP15X24A-A REV A	
				SHEET		1 OF 3	

REVISIONS				DATE	APR
REV	ECN	ECR-TN	DESCRIPTION		
A	16-00209	N/A	SEE SHEET 1	08/19/16	RCL



BAIER MARINE Co., Inc. 2920 Airway Ave., Costa Mesa, CA 92626		DWN DT	DWG NO. BFHLP15X24A-A	REV A
SCALE 1:4		SHEET 2 OF 3		

8

7

6

5

4

3

2

1

REVISIONS					
REV	ECN	ECR-TN	DESCRIPTION	DATE	APR
A	16-00209	N/A	SEE SHEET 1	08/19/16	RCL

D

D

C

C

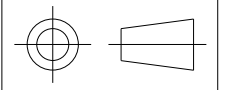
B

B

A

A

THIRD ANGLE PROJECTION



BAIER MARINE Co., Inc. 2920 Airway Ave., Costa Mesa, CA 92626		DWN DT	DWG NO. BFHLP15X24A-A	REV A
SCALE 1:5		SHEET 3 OF 3		

8

7

6

5

4

3

2

1