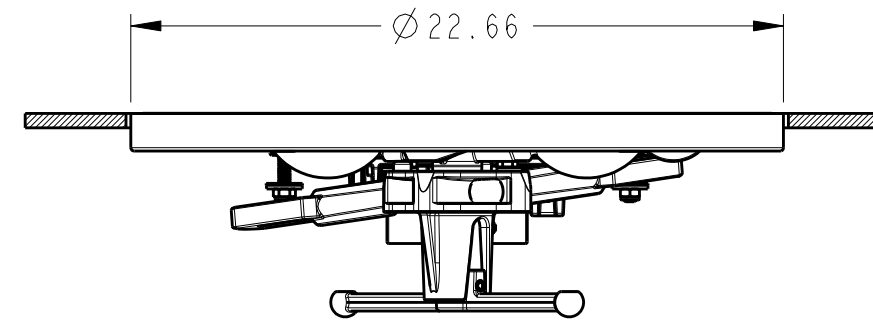
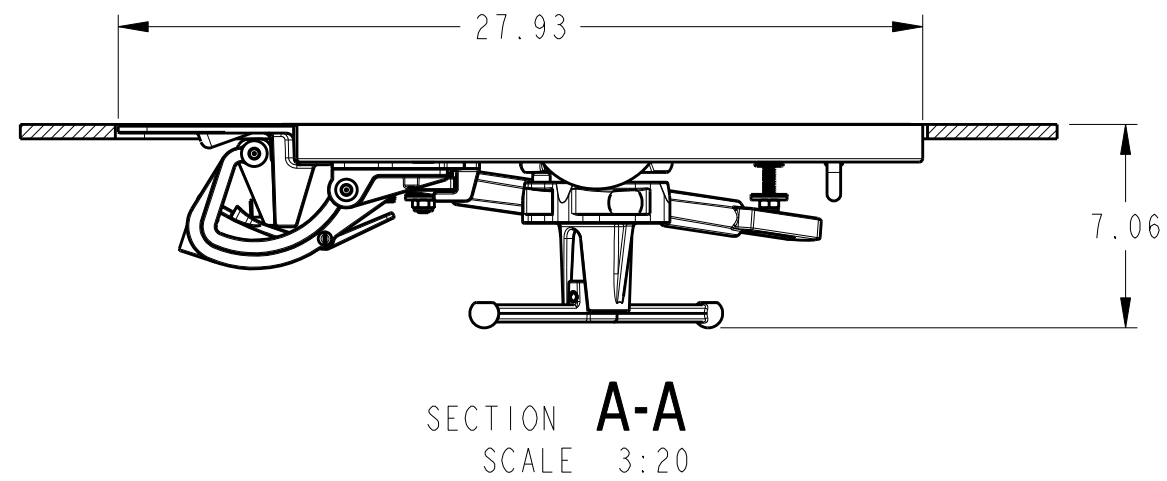
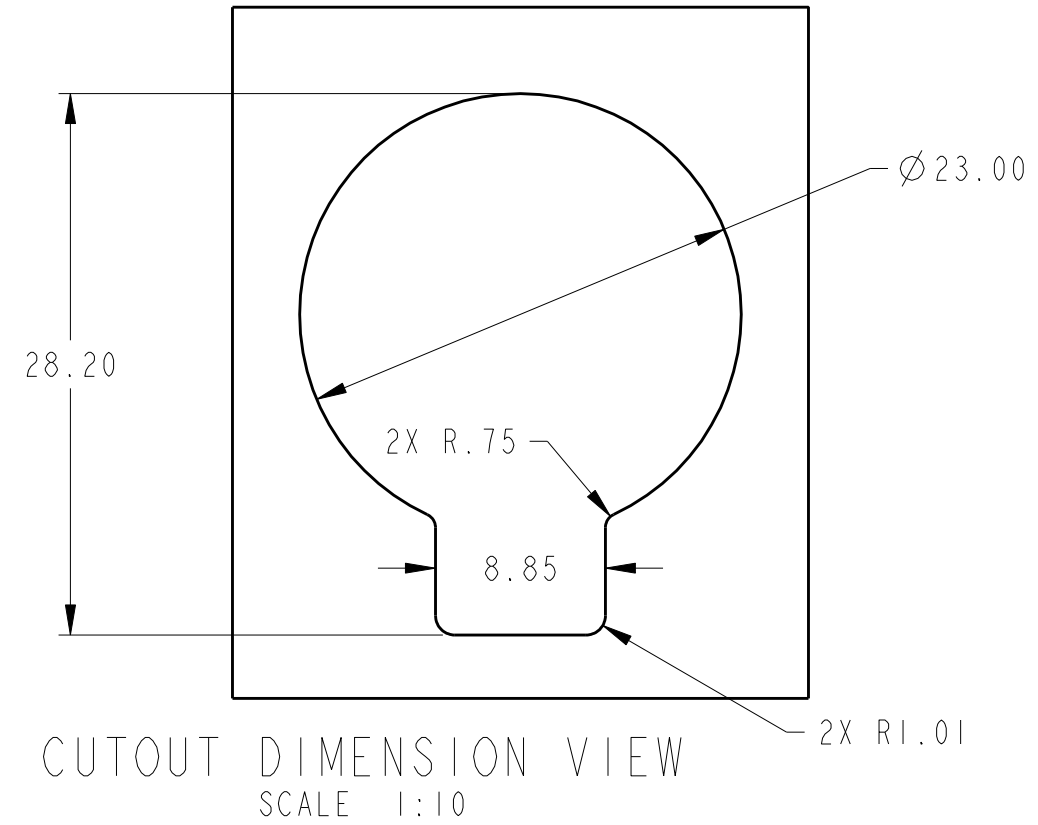
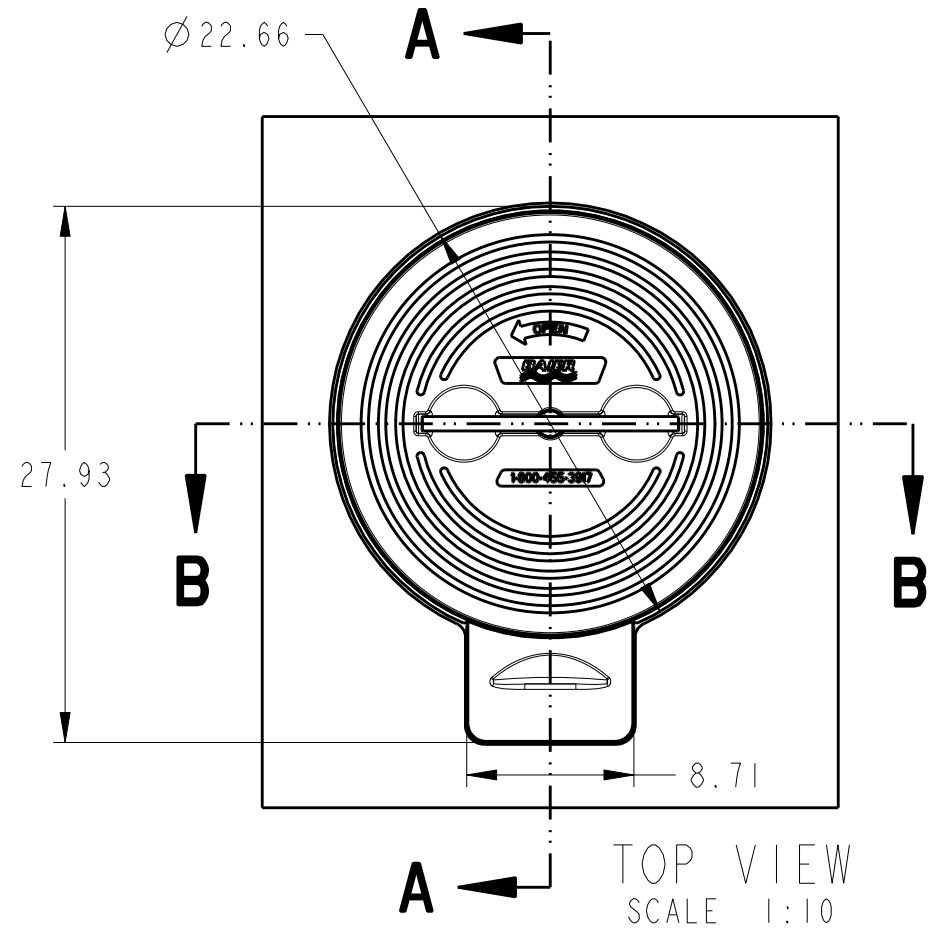


REVISIONS					
REV	ECN	ECR-TN	DESCRIPTION	DATE	APR
A	16-00209	N/A	INITIAL RELEASE	08/19/16	RCL



THE INFORMATION CONTAIN IN THIS DOCUMENT IS PROPRIETARY AND SHALL NOT BE REPRODUCED OR USED FOR ANY PURPOSE WITHOUT THE WRITTEN APPROVAL OF BAIER MARINE CO., INC.			
2920 Airway Ave., Costa Mesa, CA 92626		TITLE HATCH ASSY, 20" QA-AL/ST-HINGED	
UMC P/N REF 08863-104B	PRO/E THIRD ANGLE PROJECTION	DWN BAE DT 09/01/15 CK DT APR DT	SIZE B DWG NO. BFHHQTH20A-S SCALE 7:40 AND NOTED SHEET 1 OF 1