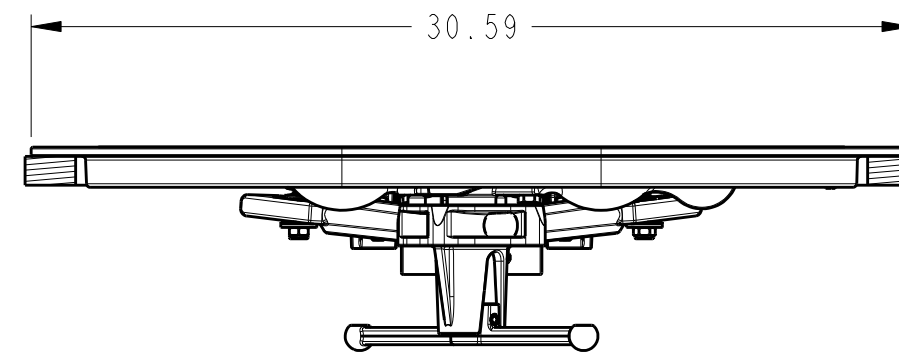
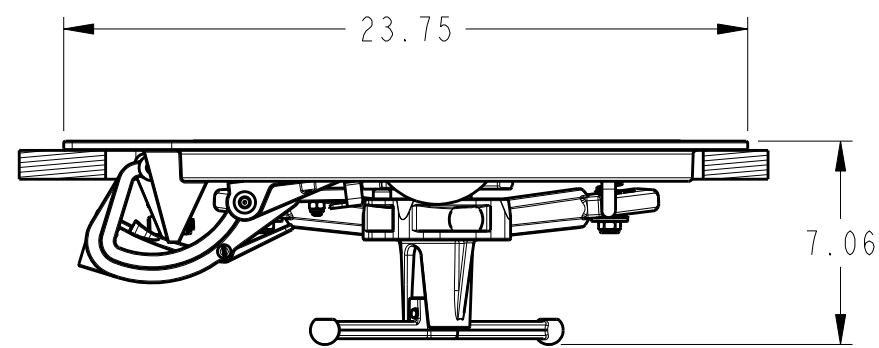
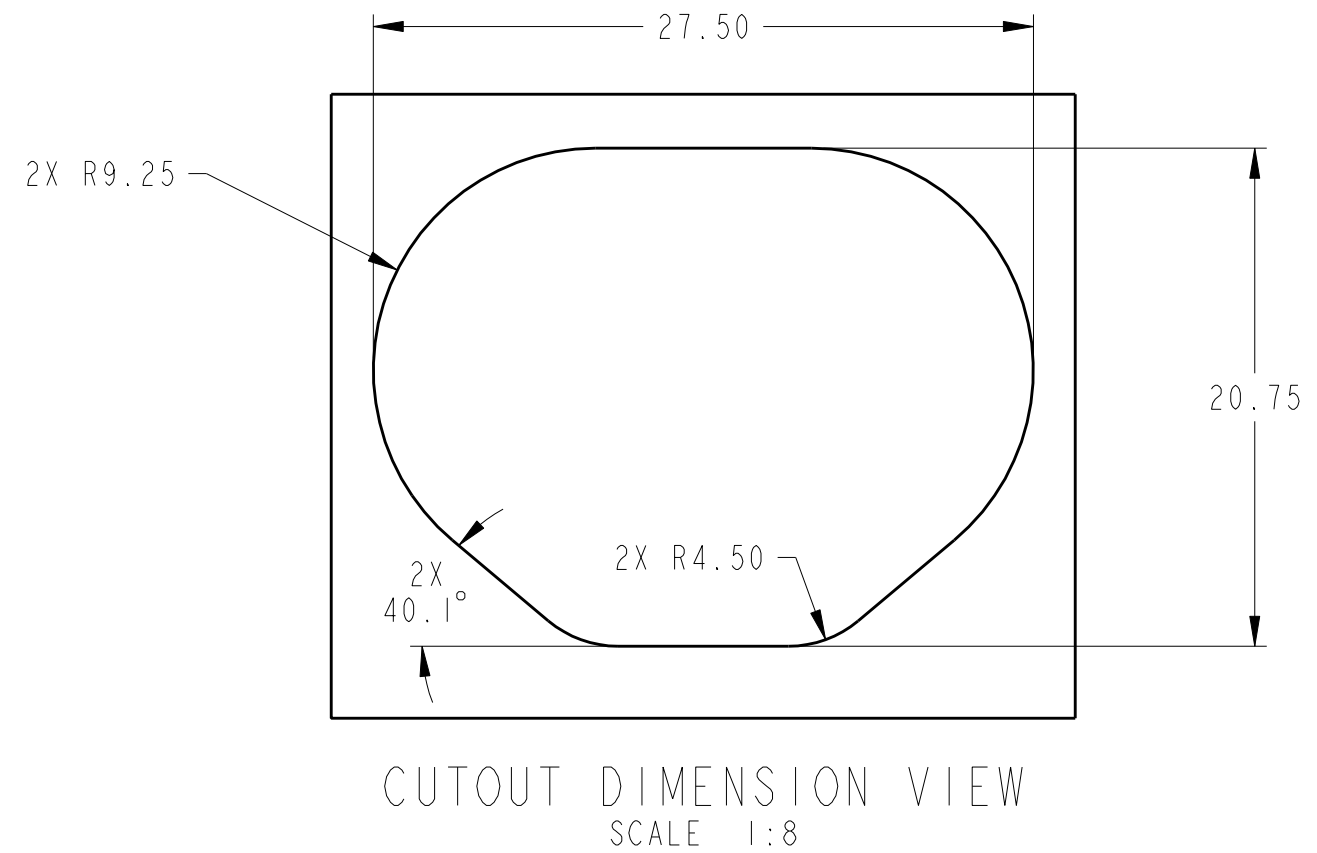
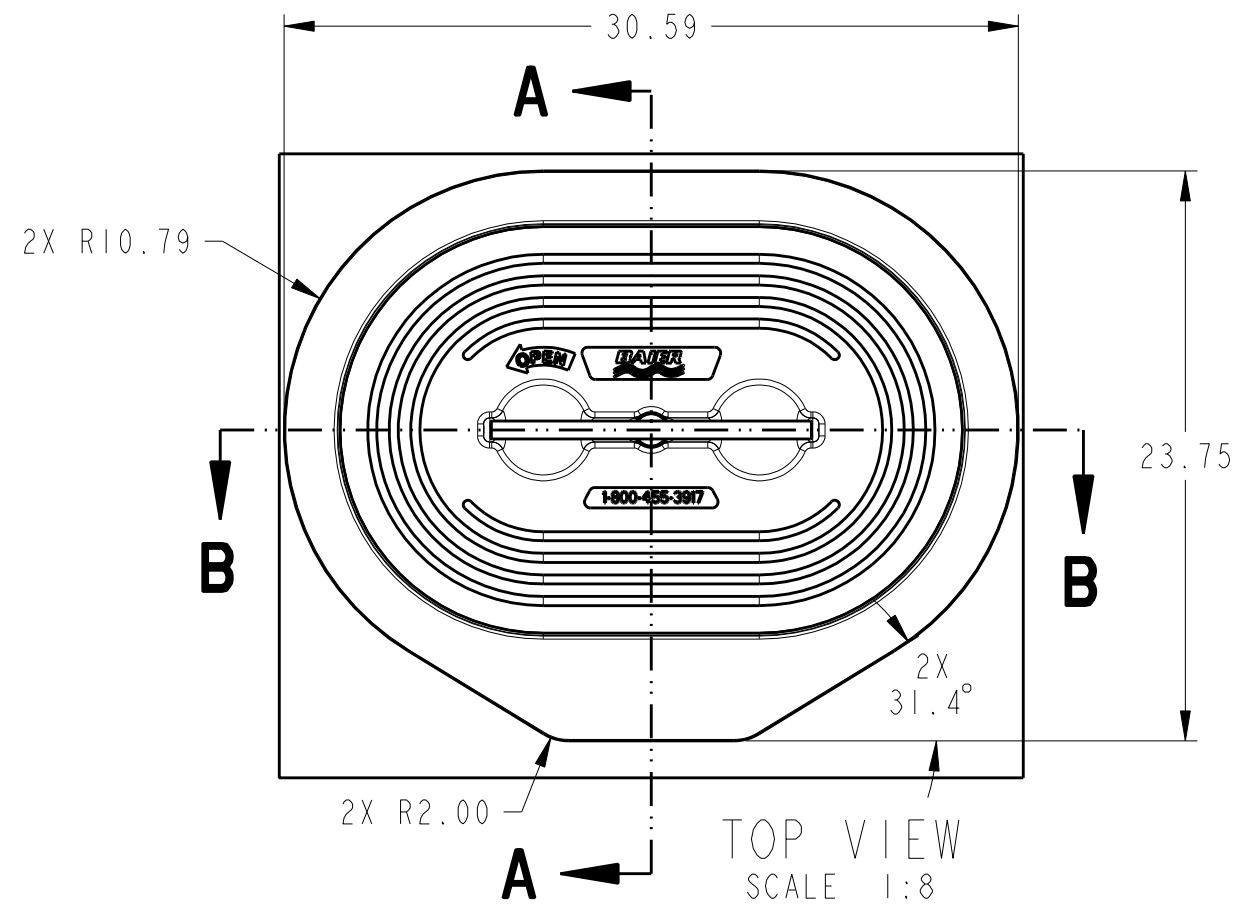


REVISIONS					
REV	ECN	ECR-TN	DESCRIPTION	DATE	APR
A	16-00209	N/A	INITIAL RELEASE	08/19/16	RCL



UMC P/N REF 08863-115B	PRO/E THIRD ANGLE PROJECTION	DWN CK APR	BAE DT	DT DT	01/05/16
---------------------------	---------------------------------	------------------	-----------	----------	----------

THE INFORMATION CONTAIN IN THIS DOCUMENT IS PROPRIETARY AND SHALL NOT BE REPRODUCED OR USED FOR ANY PURPOSE WITHOUT THE WRITTEN APPROVAL OF BAIER MARINE CO., INC.

BAIER
2920 Airway Ave., Costa Mesa, CA 92626

TITLE HATCH ASSY, 15X24
QAH AL/ST

SIZE B
DWN BAE DT 01/05/16
CK DT
APR DT

DWG NO. BFHHQTH15X24A-S
SCALE 1:5 AND NOTED

REV A
SHEET 1 OF 1